

MATERIAL

Glass-fibre reinforced polyamide based (PA) technopolymer, grey-black colour, matte finish.

BOSS CAP

Technopolymer in the Ergostyle colours, matte finish. Supplied, push-fit assembly, removable by a screwdriver.

Available also as accessory sold separately (see table ECB.).

Code	Description	Boss cap for
29553-*	ECB.T3-*	ELCR.118

* Complete with colour index (C1, ..., C17).

STANDARD EXECUTION

Black-oxide steel boss, H7 reamed hole.

FEATURES AND APPLICATIONS

Control levers ELCR. have a straight lever, parallel to the clamping surface. Particularly suitable when the lever turning angle is limited owing to lack of space.

ERGONOMY

Rotations are performed smoothly and powerfully thanks to the heavy-duty arm of the lever, while the enlarged end offers an effective grip.

MANOEUVRE ANGLE LIMITATION

A limited manoeuvre angle is possible by fitting stop pins in the rear guide slot.

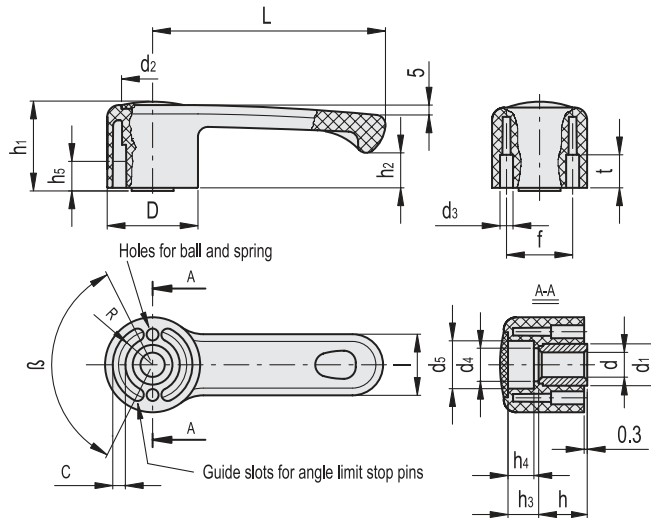
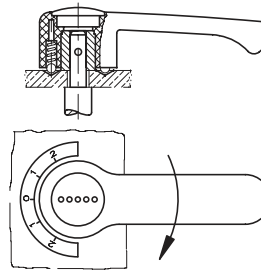
ACCESSORIES ON REQUEST

- Axial retaining washer GN 184 (see page 1021).
- Ball and spring for clicking operation to be fitted into the two holes d3 drilled at 180° (see ball and spring MS. on page 713).



ERGOSTYLE® ELESA Original design

Assembly example
by means of ball and spring
for clicking operation



Conversion Table	
1 mm = 0.039 inch	
L	
mm	inch
118	4.65



*Complete with colour index, example: 212241-C2 ELCR.118 A-12-C2

- C1
RAL7021
- C2
RAL2004
- C3
RAL7035
- C4
RAL1021
- C5
RAL5024
- C6
RAL3000
- C17
RAL6017

Code	Description	D	dH7	L	h	h1	h2	h3	h4	h5	d1	d2	d3*	d4	d5	l	R	t	c	β	f	Δ
212241-*	ELCR.118 A-12-*	46	12	118	22	44	18.5	19	17	10	22	31.5	6	17	25.5	29	17.5	15.5	6.5	125±1°	32	135

* Ball diameter

