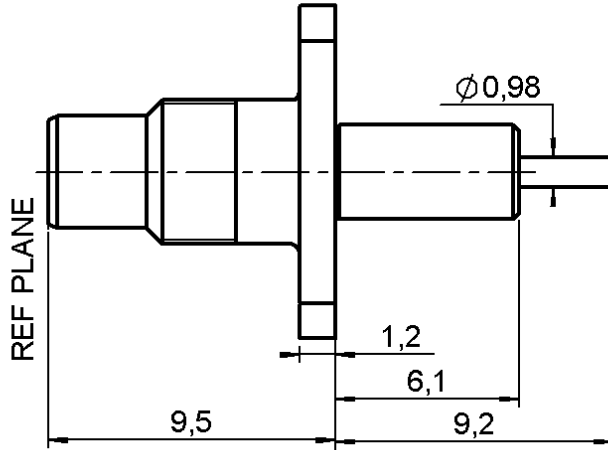
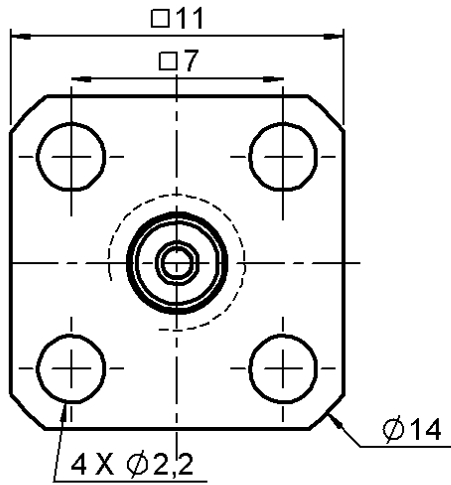


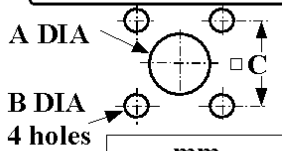
**ADJUSTABLE SQUARE FLANGE PLUG RECEPTACLE  
WITH CYLINDRICAL CONTACT**

**R112.413.000**

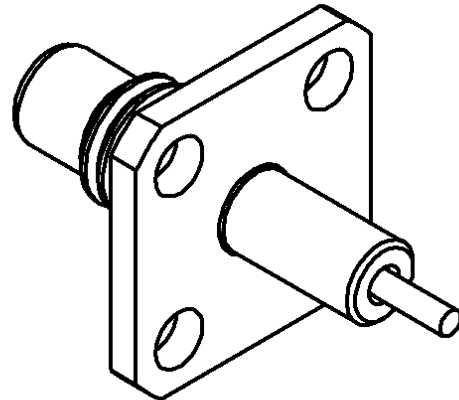
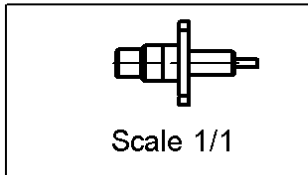
Series : SMC



**PANEL CUT OUT**



	mm	
	Maxi	mini
A	3.22	3.20
B	2.3	2.2
C	6.95	7.05



All dimensions are in mm.



COMPONENTS	MATERIALS	PLATINGS (µm)
BODY	BRASS	GOLD 0.2 OVER NICKEL 2
CENTER CONTACT	BRASS	GOLD 1.3 OVER NICKEL 2
OUTER CONTACT	-	-
INSULATOR	PTFE	-
GASKET	-	-
OTHERS PARTS	-	-
-	-	-
-	-	-

Issue : 0243 L

In the effort to improve our products, we reserve the right to make changes judged to be necessary.



**ADJUSTABLE SQUARE FLANGE PLUG RECEPTACLE  
WITH CYLINDRICAL CONTACT**

**R112.413.000**

Series : SMC

**PACKAGING**

**SPECIFICATION**

Standard	Unit	Other
<b>100</b>	<b>'W' option</b>	<b>Contact us</b>

**ELECTRICAL CHARACTERISTICS**

Impedance		<b>50</b> Ω
Frequency		<b>0-10</b> GHz
VSWR	<b>1.05</b> +	<b>0.008</b> x F(GHz) Maxi
Insertion loss		<b>0.03*</b> √F(GHz) dB Maxi
RF leakage	- (	<b>62</b> - F(GHz)) dB Maxi
Voltage rating		<b>335</b> Veff Maxi
Dielectric withstanding voltage		<b>1000</b> Veff mini
Insulation resistance		<b>1000</b> MΩ mini

**ENVIRONMENTAL**

Operating temperature	<b>-65/+165</b> ° C
Hermetic seal	<b>NA</b> Atm.cm3/s
Panel leakage	<b>NA</b>

**OTHERS CHARACTERISTICS**

Assembly instruction **NA**

Others :

\* Coaxial Transmission Line Only

**MECHANICAL CHARACTERISTICS**

Center contact retention		
Axial force – Mating end	<b>NA</b>	<b>N</b> mini
Axial force – Opposite end	<b>NA</b>	<b>N</b> mini
Torque	<b>NA</b>	<b>N.cm</b> mini
Recommended torque		
Mating	<b>NA</b>	<b>N.cm</b>
Panel nut	<b>NA</b>	<b>N.cm</b>
Mating life	<b>500</b>	<b>Cycles</b> mini
Weight	<b>0.000</b>	<b>g</b>

Issue : 0243 L

In the effort to improve our products, we reserve the right to make changes judged to be necessary.

