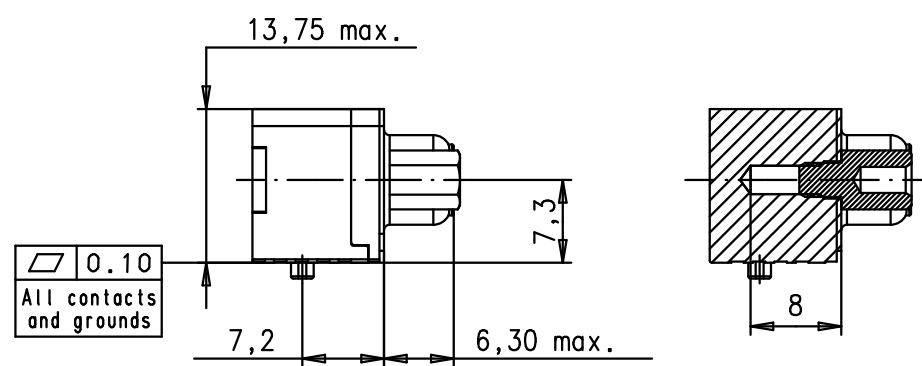


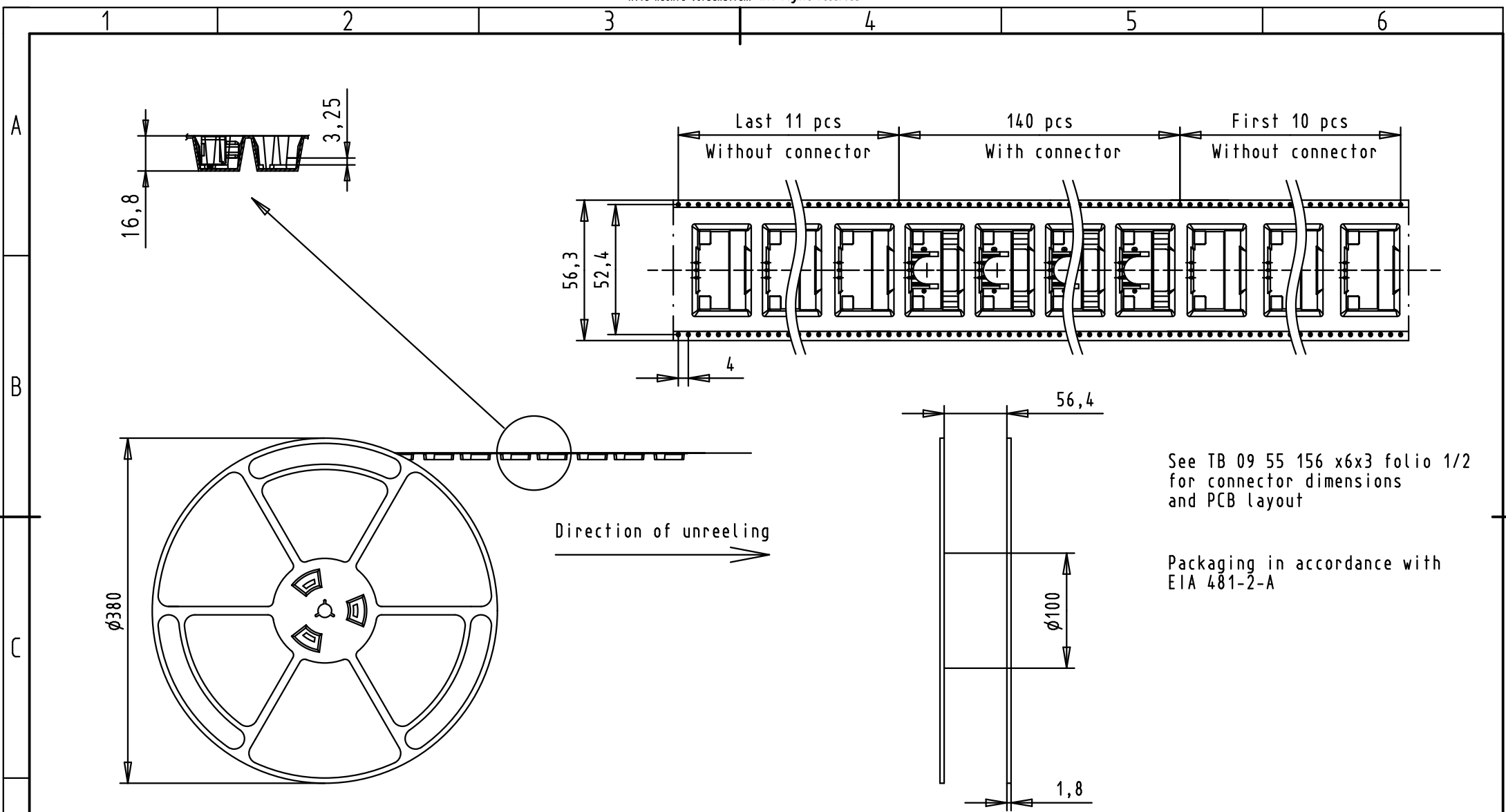
PCB Layout, component side (thickness 1.6 mm min.)



Max. Temperature : 260° during 10 seconds



Part number	PL	Thread	Index designation	Mod.	Dat.	Name	Dot.	Name	D-SUB SMT Standard Female 9p with die casted grounds and screwlocks		Maßstab/ Scale	
09551563613.741	1	4-40 UNC	Black Insulator	EC02316	30Aug2010	ED			All Dim. in mm Orig. Size DIN A 4	1,5:1		
09551566613.741	2			EC01754	30Apr2010	ED	Detail.	30Jun2006				ED
09551567613.741	3			EC01199	11Jan2010	ED	Insp.					
09551563633.741	1	M3	Reel Packaging (140 connectors) see page 2/2	34398	22Aug2007	ED	Stand.		HARTING EURL F-95972 Paris	TB 09 55 156 x6x3	Blatt/ Page 1/2	
09551566633.741	2			33929	25Jan2007	ED						
09551567633.741	3			33785	17Jul2006	ED						
									Sub.			





See TB 09 55 156 x6x3 folio 1/2 for connector dimensions and PCB layout

Packaging in accordance with EIA 481-2-A

D	09551563613.741	1	4-40 UNC	Black Insulator	Reel Packaging (140 connectors)	EC02316	30Aug2010	ED		Dot.	Name	 All Dim. in mm Orig. Size DIN A 4	D-SUB SMT Standard Female 9p with die casted grounds and screwlocks	Maßstab/ Scale	
	09551566613.741	2				EC01199	11Jan2010	ED	Detail.	17Jul2006	ED				
	09551567613.741	3				EC01118	26Nov2009	LP	Insp.						
	09551563633.741	1				34398	22Aug2007	ED	Stand.						
	09551566633.741	2				33975	02Apr2007	ED	HARTING EURL F-95972 Paris						
	09551567633.741	3				33929	25Jan2007	ED							
	Part number	PL	Thread	Index designation		Mod.	Dot.	Name				Sub.			