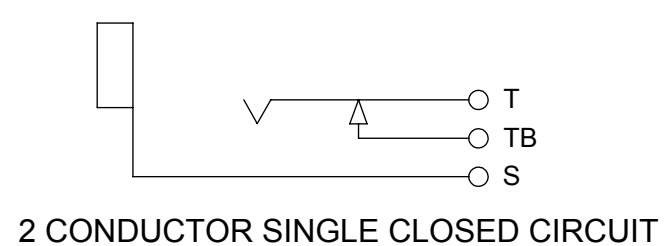
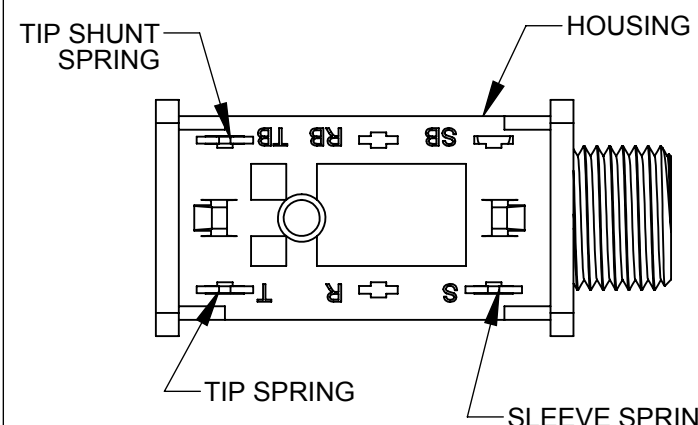
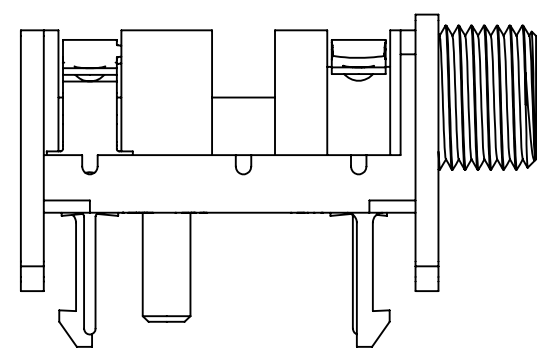
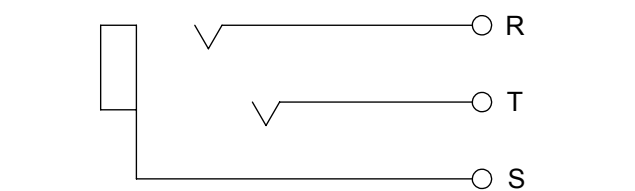
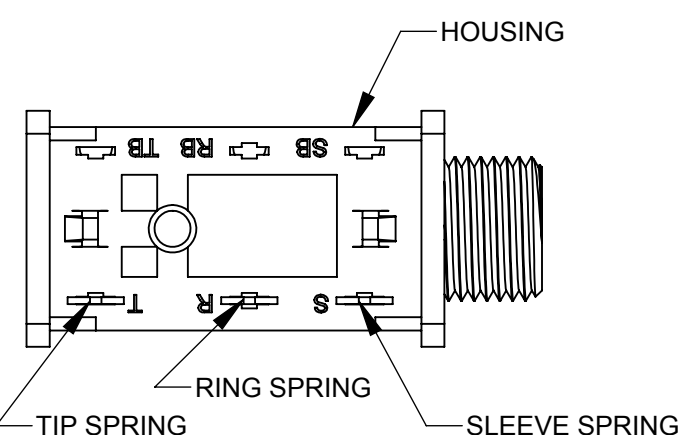
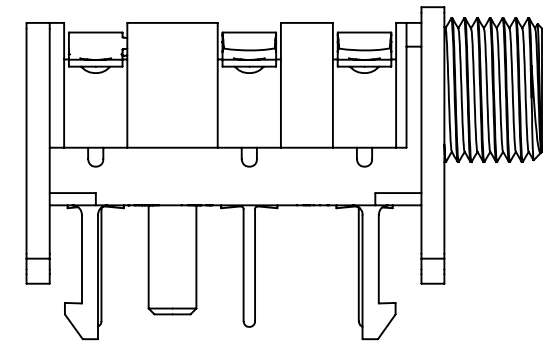


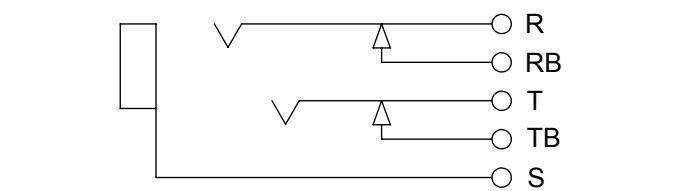
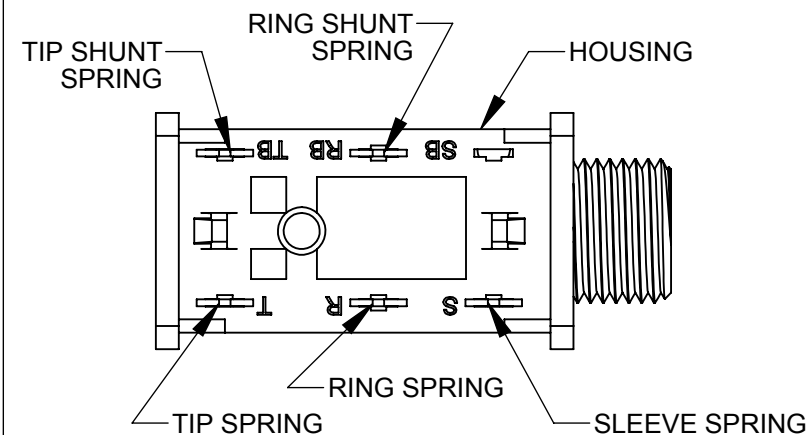
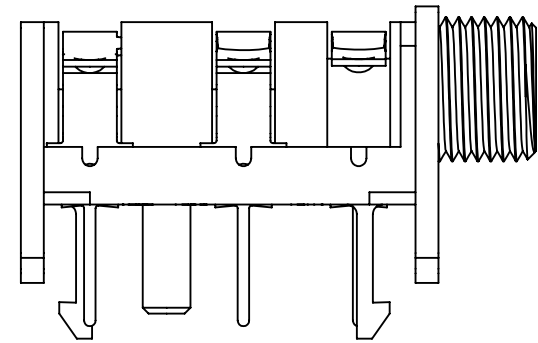
SN49B11



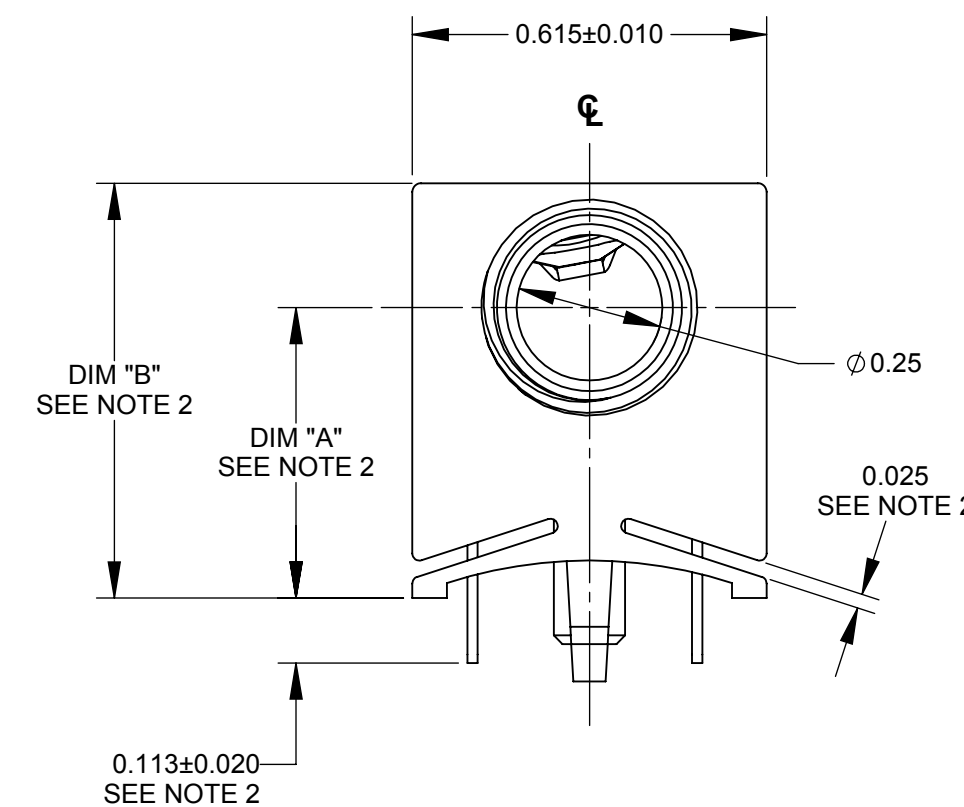
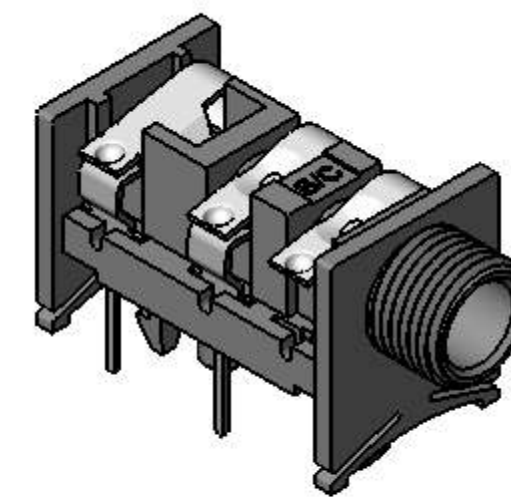
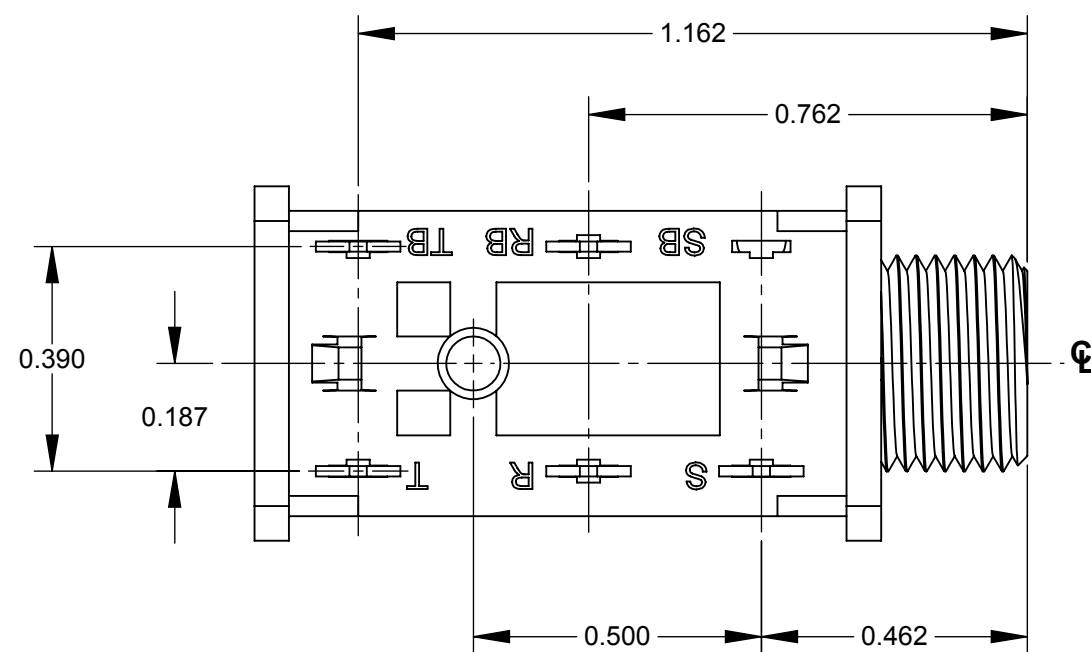
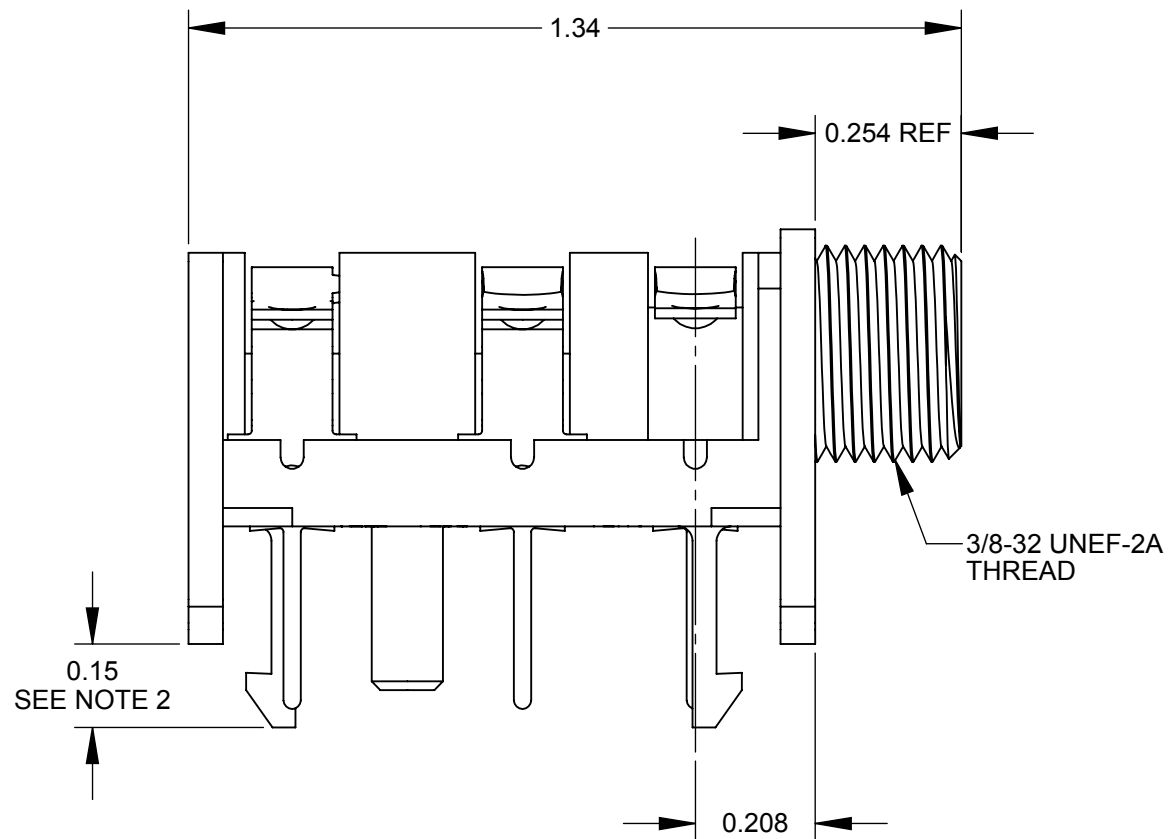
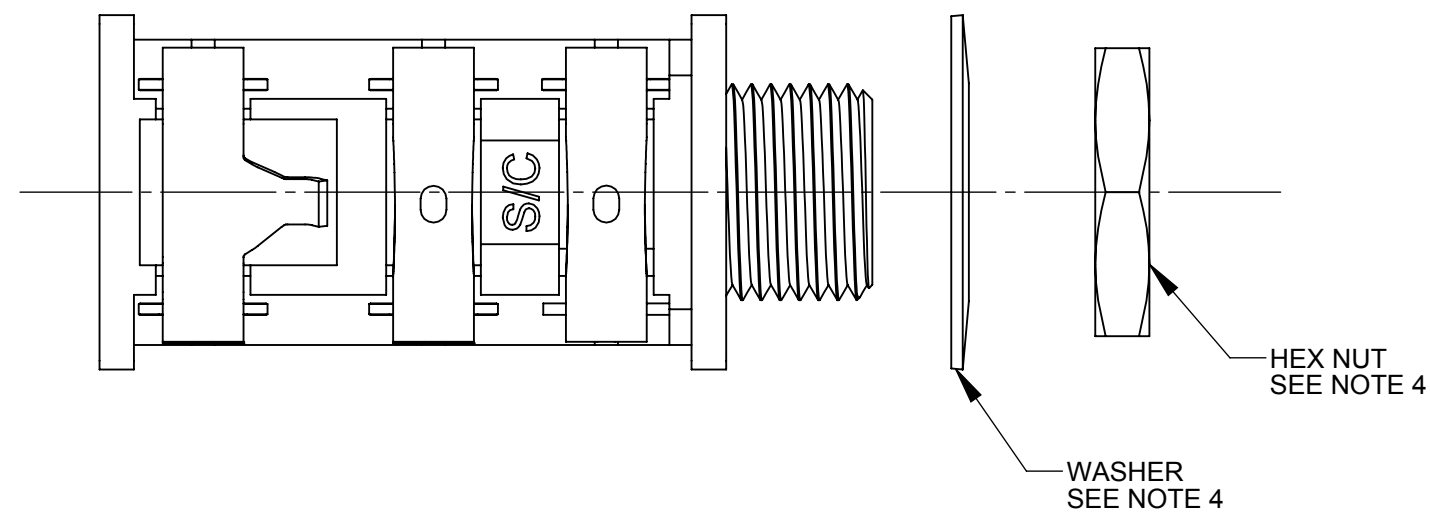
SN49B12A



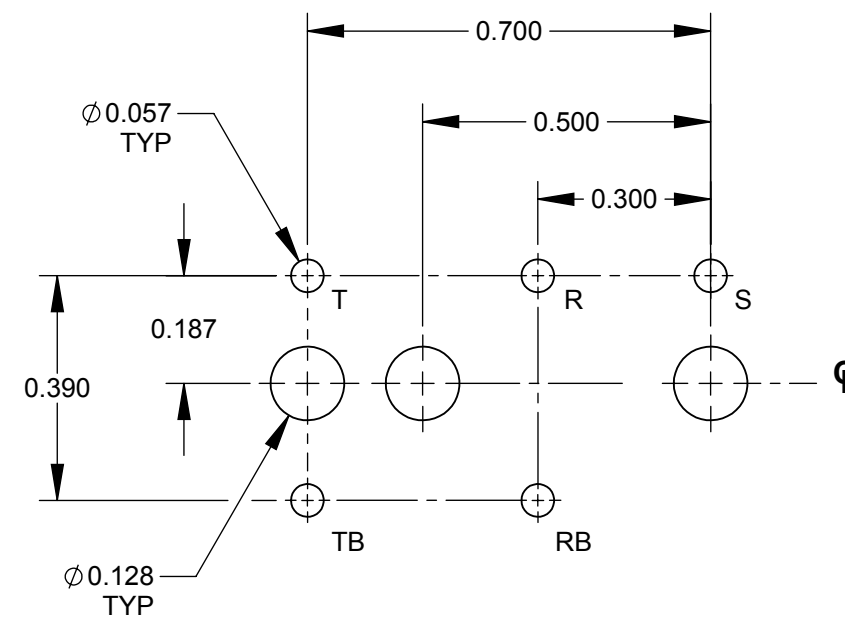
SN49B12B



SN49B14B



SN49B14B SHOWN



RECOMMENDED PC BOARD LAYOUT COMPONENT SIDE

NOTES:

- MAY BE USED WITH PC BOARD THICKNESSES RANGING FROM 0.054 - 0.070.
- THESE DIMENSIONS VARY DEPENDING ON PCB THICKNESS. DIMENSIONS SHOWN ARE FREE STATE AS SHIPPED.
- MATERIAL SPECIFICATIONS:
HOUSING - THERMOPLASTIC, BLACK.
SPRINGS - SPECIAL COPPER ALLOY, TINNED.
HARDWARE - COPPER ALLOY, NICKEL PLATED.
- HARDWARE SHIPPED UNASSEMBLED.
- THESE PRODUCTS ARE RoHS COMPLIANT.

PART NUMBER	DIM "A"		DIM "B"	
	FREE STATE	WITH 0.062 THICK PCB	FREE STATE	WITH 0.062 THICK PCB
SN49B11	0.504	0.492	0.720	0.708
SN49B12A	0.504	0.492	0.720	0.708
SN49B12B	0.504	0.492	0.720	0.708
SN49B14B	0.504	0.492	0.720	0.708

REV	ECO NUMBER	DATE	BY	APVD
D	CAD REDRAW ECO #27409	11/17/14	PC	TJK

UNLESS OTHERWISE SPECIFIED
1. ALL DIMENSIONS IN INCHES
- TWO PLACE DECIMALS ±0.02
- THREE PLACE DECIMALS ±0.005

DO NOT SCALE DRAWING

THIS DRAWING DESCRIBES A DESIGN CONSIDERED PROPRIETARY IN NATURE, DEVELOPED AND MANUFACTURED BY SWITCHCRAFT INC. AND IS RELEASED ON A CONFIDENTIAL BASIS FOR IDENTIFICATION PURPOSES ONLY.				
SIZE	WIDTH	MULT	LBS/M	TEMPER
FINISH SPEC No.		MATERIAL SPEC No.		
FIRST USED ON		SCALE 3:1		
DATE DRAWN	BY	CHKD	APVD	
06/28/83	VL	07/15/83	07/18/83	
NAME			PART No.	
PHONE JACK INSULATED BUSHING			SN49B SERIES	
SHEET 1 OF 1				REV D