

PRODUCT NUMBER

10087452 - X YY XXX H X LF

LEAD FREE OPTION
(SEE NOTES 1&8)

PACKAGING OPTIONS
(SEE NOTE 1)

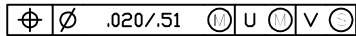
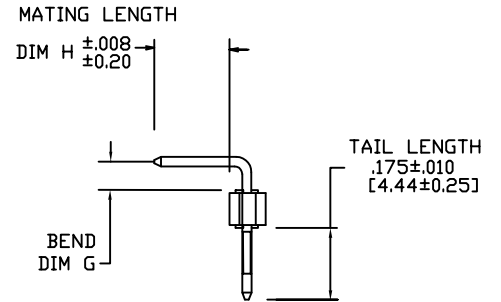
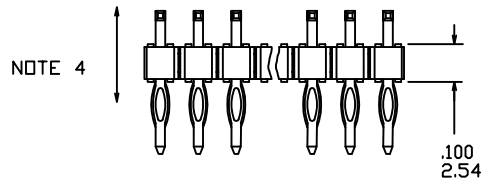
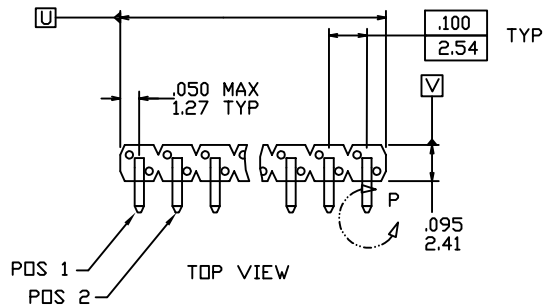
HIGH TEMPERATURE PLASTIC

INDICATES DIFFERENT MATING LENGTH
TAIL LENGTH AND OTHER OPTIONS
(SEE TABLE IN SHEET 3)

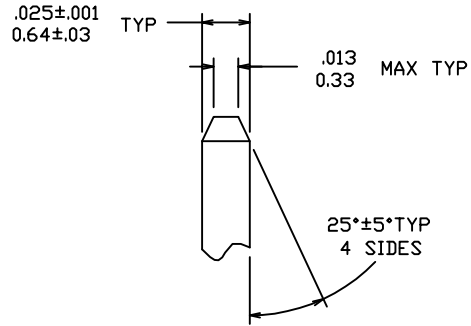
NO OF
POSITIONS
(SEE NOTE 1)

PIN PLATING
(SEE SHEET 2)

BASE PART NO.



NOTE 5



DETAIL P
TYP BOTH ENDS

| | | | | | | | | | |
|-------------|-------------|------------|----------|---------------------------------------|----------------------|------------|--|----------------------------------|--|
| mat'l. code | | surface | | tolerance | | projection | | product family | |
| NOTES 2 & 3 | | ISO 1302 ✓ | | ISO 406 ISO 1101 | | | | BERGSTIK | |
| ltr | ecn | nldr | date | tolerances unless otherwise specified | | INCH/MM | | title | |
| A | | J.Z | 11/24/11 | angles | .XX±.01/XX±0.3 | | | BERGSTIK [®] EON HEADER | |
| B | ELX-N-22285 | MZ | 10/26/15 | linear | .XXX±.005/XXX±0.13 | scale 2:1 | | .100/2.54cc SR R/A | |
| | | | | 0°±2' | .XXXX±.0020/XXX±0.05 | | | | |
| | | | | dr | J.ZHOU | 2011-11-24 | | dwg no sheet 1 of 3 size | |
| | | | | enr | J.ZHOU | 2011-11-24 | | 10087452 A3 | |
| | | | | chr | J.ZHOU | 2011-11-24 | | type Product Customer Drawing | |
| | | | | appd | R.BIAN | 2011-11-24 | | | |
| sheet | revision | B | B | B | | | | | |
| index | sheet | 1 | 2 | 3 | | | | | |



FCIconnect.com

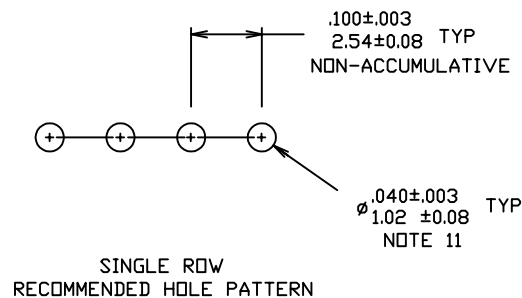
Copyright FCI

| PIN PLATING CODES | |
|-------------------|--|
| XXXXXXXX-1YYLF | 30u"/0.76u MIN (SEE NOTE 9) OVER 50u"/1.27u MIN Ni |
| XXXXXXXX-2YYLF | 15u"/0.38u MIN (SEE NOTE 9) OVER 50u"/1.27u MIN Ni |
| XXXXXXXX-4YYLF | 50u"/1.27u MIN Au OVER 50u"/1.27u MIN Ni |
| XXXXXXXX-5YYLF | 100u"/2.54u MIN Sn OVER 50u"/1.27u MIN Ni (SEE NOTE 9) |

NOTES

- ① PART NUMBER OPTIONS:
 PIN PLATING CODES (SEE ABOVE)
 NUMBER OF POSITION:
 ANY NUMBER OF POSITIONS FROM 1 THRU 36.
 PACKAGING: NONE=POLY BAG
 T =TUBE
 A =TAPE AND REEL WITH PICKUP CAPS
 LEAD FREE:
 PART NUMBERS WITH "LF" SUFFIX ARE LEAD FREE.
- ② BODY MAT'L: HIGH TEMPERATURE THERMOPLASTIC.
 FLAME RETARDANT PER UL 94V-0.
 COLOR: BLACK.
 FOR HIGH-TEMPERATURE APPLICATIONS, SPECIFY A "H" AT THE END OF THE PART NUMBER.
 PART NUMBERS WITH "H" SUFFIX WILL WITHSTAND EXPOSURE TO 260°C PEAK TEMPERATURE FOR 20 SECONDS IN WAVE SOLDER, INFRA-RED OR VAPOR PHASE SOLDER PROCESS.

- ③ PIN MATERIAL: COPPER ALLOY.
 ④ MEASURED WITH PART IN RESTRAINED CONDITION.
 5. TWO SIDES OF PIN TIPS NOT PLATED. TYPICAL BOTH ENDS.
 ⑥ 2 Lbs / 0.9 Kg MIN RETENTION IN EITHER DIRECTION.
 ⑦ THIS PRODUCT MEETS EUROPEAN UNION DIRECTIVES AND OTHER COUNTRY REGULATION AS DESCRIBED IN GS-22-008.
 ⑧ PLATING OPTIONS:
 MAY BE EITHER GOLD OR GXT PLATED AT MANUFACTURER'S OPTION.
 ⑨ *THIS PRODUCT HAS 100% PURE TIN PLATING IN THE INTERFACE AND HAS NOT BEEN TESTED FOR WHISKER GROWTH IN ALL INTERCONNECT ENVIRONMENTS.*
 ⑩ ϕ .0453/1.151 DRILLED HOLE PLATED WITH .0003/.007 MIN. Sn OVER .001/.03 TO .003/.08 Cu. PLATING TO ACHIEVE A ϕ .040 \pm .003/1.02 \pm .08 HOLE.
 11 PRODUCT SPECIFICATION: BUS-12-117.



| | | | | | | | | | |
|-------------|----------------|-----------------------|------|----------------------------------|---|-----------------------|--------------|--|--------------------------|
| mat'l. code | | surface ISO 1302 ✓ | | tolerance ISO 406 ISO 1101 | | projection INCH/MM | | product family BERGSTIK | |
| ltr | ecn no | dr | date | angles | linear | scale 2:1 | | title BERGSTIK [®] II EON HEADER .100/2.54cc SR R/A | |
| B | | | | 0°±2' | .XXX±.01/.X±0.3 .XXX±.005/.XXX±0.13 .XXXX±.0020/.XXX±0.05 | | | dwg no 10087452 | |
| | | | | dr | J.ZHOU | 2011-11-24 | sheet 2 of 3 | | size A3 |
| | | | | enr | J.ZHOU | 2011-11-24 | type | | Product Customer Drawing |
| | | | | chr | J.ZHOU | 2011-11-24 | | | |
| | | | | appd | R.BIAN | 2011-11-24 | | | |
| sheet index | revision sheet | | | | | | | | |

| PRODUCT NO. | TOTAL PIN LGTH | | MATING LENGTH DIM H | | BEND LENGTH DIM G | | OMIT PIN POSITION | PACKAGING |
|--------------------|----------------|-------|------------------------|------|----------------------|------|----------------------|-----------|
| | INCH | MM | INCH | MM | INCH | MM | | |
| 10087452-YYYHLF | .510 | 12.95 | .138 | 3.49 | .060 | 1.52 | #2 | POLY/BAGS |
| 10087452-YYY001HLF | .510 | 12.95 | .118 | 3.00 | .079 | 2.00 | #2 | POLY/BAGS |



Copyright FCI

| | | | | | |
|-------------|----------|-----------------------|----------------------------------|--|--|
| mat'l. code | | surface ISO 1302 ✓ | tolerance ISO 406 ISO 1101 | projection | product family BERGSTIK |
| ltr | ecn | no | dr | date | tolerances unless otherwise specified |
| B | | | | | angles linear .XX±.01/.XX±0.3 .XXX±.005/.XXX±0.13 0°±2' .XXXX±.0020/.XXX±0.051 |
| | | | | | scale 2:1 |
| | | | dr | J.ZHOU | 2011-11-24 |
| | | | enr | J.ZHOU | 2011-11-24 |
| | | | chr | J.ZHOU | 2011-11-24 |
| | | | app | R.BIAN | 2011-11-24 |
| sheet | revision | | | | |
| index | sheet | | | | |
| | | | | title BERGSTIK® II EON HEADER .100/2.54cc SR | |
| | | | | dwg no 10087452 | |
| | | | | sheet 3 of 3 A3 | |
| | | | | type Product Customer Drawing | |