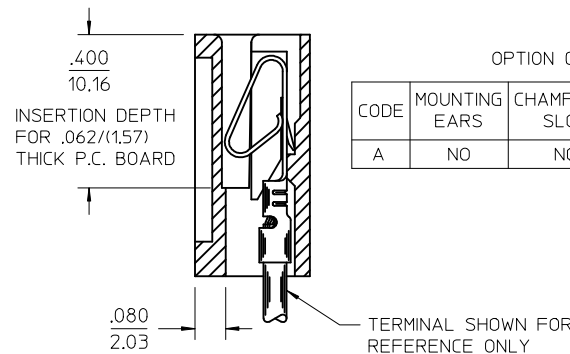


RECOMMENDED CARD LAYOUT
SCALE 2:1

NOTES:

1. MATERIAL: UL 94V-0 NYLON, GLOW WIRE CAPABLE.
2. FINISH: N/A
3. THIS PRODUCT CONFORMS TO MOLEX PROD. SPEC. PS-08-50.
4. PACKAGING: BULK, PER PK-2574-001
5. CONNECTOR TO BE USED WITH CRIMP TERMINALS:
2478-x: 18-24 GA. WIRE, .110/(2.79) MAX INSULATION DIAMETER.
2578-x: 22-26 GA. WIRE, .065/(1.65) MAX INSULATION DIAMETER.
6. DIMENSIONS GIVEN ACROSS CENTERLINES ARE SYMMETRICAL ABOUT THOSE CENTERLINES WITHIN ONE HALF THE TOTAL TOLERANCE.
7. CIRCUIT 1 I.D. PRESENT ON ALL PARTS. LAST CIRCUIT I.D. MAY OR MAY NOT BE PRESENT.
8. THIS PART CONFORMS TO CLASS B REQUIREMENTS OF COSMETIC SPECIFICATION PS-45499-002.

SECTION A-A



2574 - N * * BK A

NO. OF CIRCUITS

UL 94V-0 NYLON

OPTION CODE

CODE	MOUNTING EARS	CHAMFERED SLOT	PCB THK	MOUNTING HOLES
A	NO	NO	.062	NO

COLOR CODE
BK=BLACK

RIB LOCATION CODE (BETWEEN CKTS)

- 1 = NONE
- 2 = 2-3
- 3 = 3-4
- 4 = 5-6
- 5 = 3-4, 5-6
- 6 = 4-5, 7-8
- 7 = 5-6, 8-9
- 8 = 5-6, 10-11
- 9 = 4-5, 7-8, 11-12
- 10 = 5-6, 10-11, 14-15
- 11 = 5-6, 10-11, 15-16
- 12 = 5-6, 11-12, 16-17
- 13 = 5-6, 11-12, 17-18
- 14 = 4-5, 7-8, 11-12, 15-16
- 15 = 4-5, 8-9, 12-13, 16-17, 20-21
- 16 = 5-6, 11-12, 18-19

2574-NA*

PART NO.	ENG. NO. (SUFFIX ONLY)	NO. OF CKTS	DIM A	DIM B	DIM C
09-01-6229	-22A12BKA	22	3.562 (90.47)	3.276±.011 (83.21±0.25)	3.596 (91.34)

NOTE 7 REV A2	DESCRIPTION 2014/08/07 2014/08/08 2014/08/29	QUALITY SYMBOLS	GENERAL TOLERANCES (UNLESS SPECIFIED)		DIMENSION STYLE		SCALE	DESIGN UNITS	THIRD ANGLE PROJECTION
			mm	INCH	IN/MM	INCH			
			4 PLACES ± ---	± ---	DRAWN BY LSCHMIDT	DATE 2005/06/03	TITLE EDGE CARD CONNECTOR (3.96)/.156 CENTER CRIMP TYPE - 2574 SERIES		
			3 PLACES ± ---	± .010	CHECKED BY ADERR	DATE 2005/06/13			
			2 PLACES ± 0.25	± .015	APPROVED BY FSMITH	DATE 2005/06/14			
			1 PLACE ± 0.36	± ---	MATERIAL NO. SEE CHART		DOCUMENT NO. SD-2574-001	SHEET NO. 1 OF 1	
			0 PLACE ±	±	THIS DRAWING CONTAINS INFORMATION THAT IS PROPRIETARY TO MOLEX INCORPORATED AND SHOULD NOT BE USED WITHOUT WRITTEN PERMISSION				