

# Net-Contain™ Sliding Door Low Profile Cold Aisle Containment System for N-Type and S-Type Cabinets

## specifications

The sliding door low profile aisle containment system shall create a structure including end of row doors and ceiling panels that enclose the cold aisle between rows of cabinets to segregate cold and hot air streams to and from equipment. This passive system shall contain no moving parts. Designed to contain the cold air, the system shall be deployed on raised floors. The system shall leverage existing data center cooling and equipment fans to move the flow of exhaust air and cooling air. The system shall address heat loads up to 20kW per cabinet to enable dense server applications and eliminate data center hot spots versus conventional raised floor cooling systems that manage heat loads up to 7-8kW/cabinet. The modular system shall be capable of being added without disrupting existing in-cabinet equipment and cabling to enable a migration path.



## technical information

### Integral Low Profile Ceiling Structure Dimensions:

#### Net-Access™ 800mm Cabinets:

4' (1200mm) aisle width:	C2CAC08F04IRB1*: 800mm W x 1200mm D
6' (1800mm) aisle width:	C2CAC08F06IRB1*: 800mm W x 1800mm D

#### Net-Access™ 700mm Cabinets:

4' (1200mm) aisle width:	C2CAC07F04IRB1*: 700mm W x 1200mm D
6' (1800mm) aisle width:	C2CAC07F06IRB1*: 700mm W x 1800mm D

#### Net-Access™ 600mm Cabinets:

4' (1200mm) aisle width:	C2CAC06F04IRB1*: 600mm W x 1200mm D
6' (1800mm) aisle width:	C2CAC06F06IRB1*: 600mm W x 1800mm D

#### Integral Roof Wall Panels:

C2CAC08F08WPB1*:	89mm H x 800mm W
C2CAC07F08WPB1*:	89mm H x 700mm W
C2CAC06F08WPB1*:	89mm H x 600mm W

#### End of Row Sliding Doors:

4' (1200mm) aisle width and	CUD1SDB1*: 2134mm H x 1422mm W (1 Door)
6' (1800mm) aisle width:	CUD2SDB1*: 2134mm H x 1422mm W (2 Doors)

#### Row Base Cooling Blanking Panels:

C2CAC06ABWPAB1*:	1950mm H x 600mm W
C2CAC04ABWPAB1*:	1950mm H x 400mm W
C2CAC03ABWPAB1*:	1950mm H x 300mm W

\*Optional door color is also available. Replace B1 for black with S1 for silver.

## key features and benefits

<b>Energy efficiency</b>	Prevents hot spots and allows installation of high-density server cabinets close together in new builds or existing data centers reducing the need for extra real estate and CRAH units lowering operating costs
<b>Optimized airflow distribution</b>	Prevents mixing of cold and hot air streams; eliminates recirculation of hot air to cabinet inlets; provides uniform temperature at the inlets of IT equipment; prevents cold air bypass optimizing cool air delivery
<b>Passive system</b>	Contains no moving parts; provides more efficiency than fan driven products eliminating acoustical noise in the data center for improved system reliability
<b>Improves thermal performance</b>	Allows raising supply air set point temperature; higher return air temperature increases the thermal efficiency of cooling units reducing cooling energy cost up to 25 – 30%
<b>End of row sliding doors</b>	The doors can be installed in 3', 4', and 6' aisles, which mounts to the Net-Access™ N Type and S-Type 600mm, 700m and 800mm Cabinets. The sliding doors come with an easy glide track system that allows for the door to stay open when needed and allows for the door easily to close.
<b>Integral roofing</b>	Available in 4' or 6' lengths of 600mm, 700mm, 800mm width roofing sections available; access holes allow fire suppression to enter the containment for improved safety and security
<b>Wall panel roofing</b>	600mm, 700mm, and 800mm wall panel for the roofing sections available

## applications

The Net-Contain™ System separates cold and hot data center air streams to and from equipment. It manages airflow at the source, increases CRAH unit cooling efficiency, and significantly lowers operating expenses. The Net-Contain™ System leverages existing data center cooling and equipment fans to move the flow of exhaust air and cooling air, reducing energy costs and noise levels.

This passive system contains no moving parts, resulting in a more energy efficient solution than comparable forced-air options.

This integrated system is compatible with numerous Panduit product lines including; Net-Access™ N-Type and S-Type Cabinets, Net-Access™ Cabinet Top Cable Routing System, FiberRunner®, and Wyr-Grid® Overhead Cable Routing Systems.

### Net-Contain™ Sliding Door Low Profile Cold Aisle Containment System

#### Integral Low Profile Ceiling Structures Net-Access™ 800mm Cabinets:

4' (1200mm) aisle width:	C2CAC08F04IRB1*
6' (1800mm) aisle width:	C2CAC08F06IRB1*

#### Net-Access™ 700mm Cabinets:

4' (1200mm) aisle width:	C2CAC07F04IRB1*
6' (1800mm) aisle width:	C2CAC07F06IRB1*

#### Net-Access™ 600mm Cabinets:

4' (1200mm) aisle width:	C2CAC06F04IRB1*
6' (1800mm) aisle width:	C2CAC06F06IRB1*

#### Sliding Door Frame Adapter

4' Aisle 42/45 RU tall:	C2SDT8W04DAB1*
6' Aisle 42/45 RU tall:	C2SDT8W06DAB1*
4' Aisle 48/51 RU tall:	C2SDT9W04DAB1*
6' Aisle 48/51 RU tall:	C2SDT9W06DAB1*

#### End of Row Sliding Door

4' (1200mm) and 6' (1800mm) aisle width (1 Door):	CUD1SDB1*
4' (1200mm) and 6' (1800mm) aisle width (2 Doors):	CUD2SDB1*

#### Net-Contain™ Integral Roof Wall Panel

800mm width:	C2CAC08F08WPB1*
700mm width:	C2CAC07F08WPB1*
600mm width:	C2CAC06F08WPB1*

#### Net-Contain™ Row Base Cooling Blanking Panels

600mm width:	C2CAC06ABWPAB1
400mm width:	C2CAC04ABWPAB1
300mm width:	C2CAC03ABWPAB1

#### End of Row Caps – 1200mm Aisle Width

42 RU:	C2CEOR04CP2B1
45 RU:	C2CEOR04CP5B1
48 RU:	C2CEOR04CP8B1
51 RU:	C2CEOR04CP1B1

#### End of Row Caps – 1800mm Aisle Width

42 RU:	C2CEOR06CP2B1
45 RU:	C2CEOR06CP5B1
48 RU:	C2CEOR06CP8B1
51 RU:	C2CEOR06CP1B1

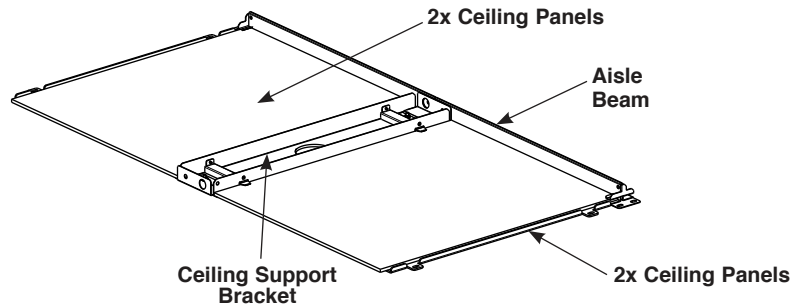
\* Indicates optional colors. Replace \* with: B1= Black, W1= White

\*\* Indicates optional colors. Replace \* with: B= Black, W= White

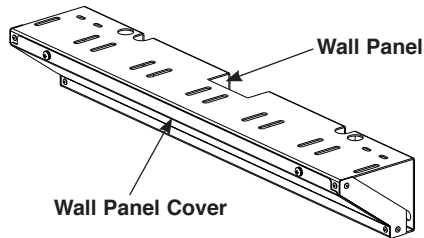
# Net-Contain™ Sliding Door Low Profile Cold Aisle Containment System for N-Type and S-Type Cabinets

## integral low profile ceiling structures

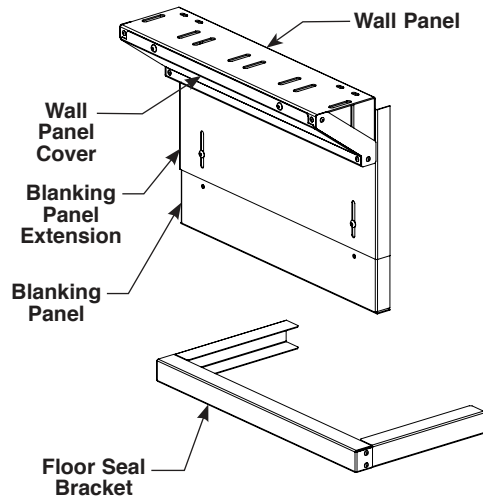
(600mm, 700mm, and 800mm) for  
4' (1200mm) aisle and for 6' (1800mm) aisle



### Integral Roof Wall Panel (Used with ceiling)



### Row Base Cooling Blanking Panel (Only used when RBC equipment is installed)



### End of Row Dual Sliding Door



Dual Sliding Door

#### WORLDWIDE SUBSIDIARIES AND SALES OFFICES

PANDUIT US/CANADA  
Phone: 800.777.3300

PANDUIT EUROPE LTD.  
London, UK  
Phone: 44.20.8601.7200

PANDUIT SINGAPORE PTE. LTD.  
Republic of Singapore  
Phone: 65.6305.7575

PANDUIT JAPAN  
Tokyo, Japan  
Phone: 81.3.6863.6000

PANDUIT LATIN AMERICA  
Guadalajara, Mexico  
Phone: 52.33.3777.6000

PANDUIT AUSTRALIA PTY. LTD.  
Victoria, Australia  
Phone: 61.3.9794.9020

For a copy of Panduit product warranties, log on to [www.panduit.com/warranty](http://www.panduit.com/warranty)

For more information

Visit us at [www.panduit.com](http://www.panduit.com)

Contact Customer Service by email: [cs@panduit.com](mailto:cs@panduit.com)  
or by phone: 800.777.3300

**PANDUIT**®

©2020 Panduit Corp.  
ALL RIGHTS RESERVED.  
RKSP189--WW-ENG  
Replaces RKSP107--WW-ENG  
5/2020