

PART NAME: "T" HANDLE SCALE: 1:1 DATE: 7/31/89 DR. BY HD

THIS DRAWING IS THE PROPERTY OF DAVIES MOLDING COMPANY, IS SUBMITTED SOLELY AS A DESIGN OR ENGINEERING PROJECT. WE ACCEPT NO RESPONSIBILITY WHATSOEVER FOR THE PRACTICAL APPLICATION OF THE PIECES MADE TO THIS DESIGN.

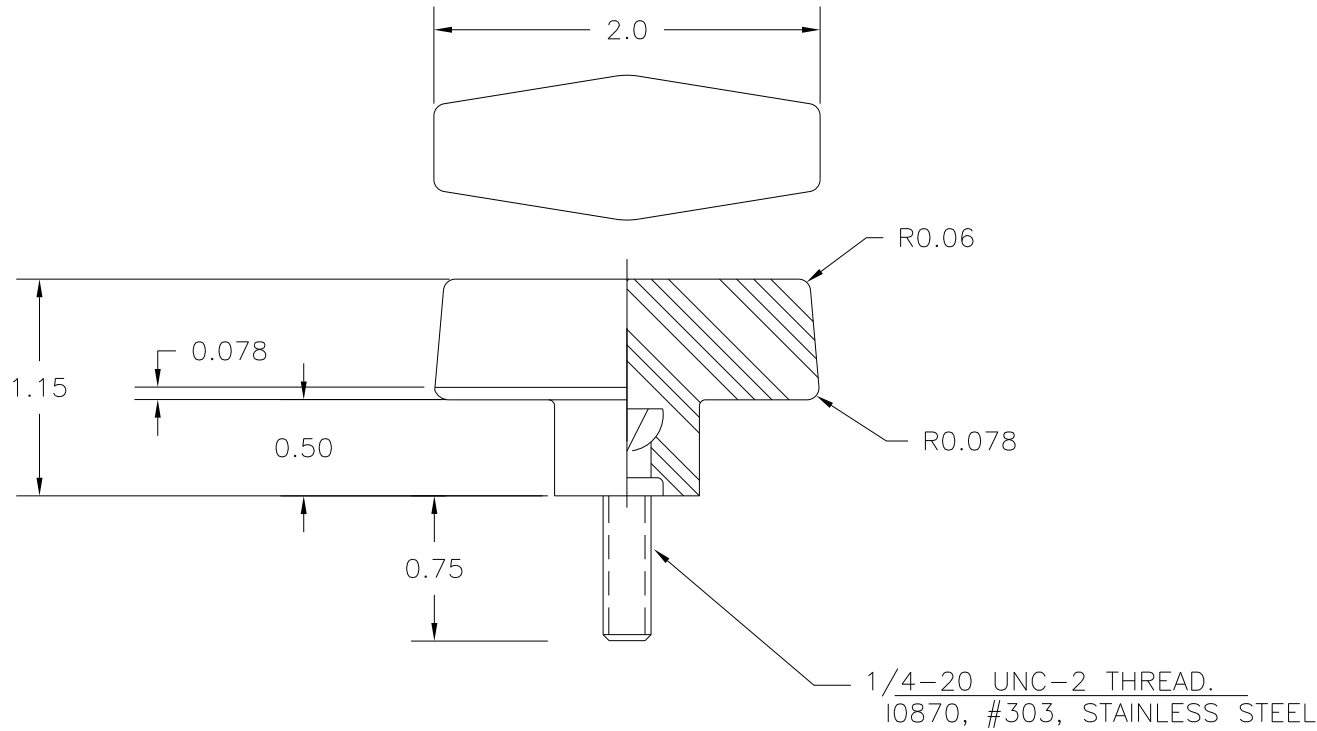


DESIGNERS & MANUFACTURERS OF KNOBS, HANDLES, CASES & CUSTOM PLASTIC COMPONENTS

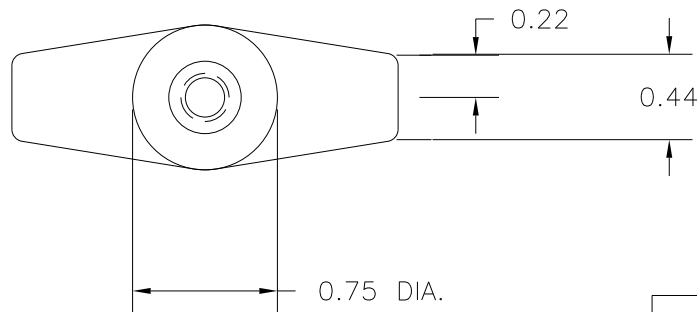
P/N 3090CM

M NO. 5904

CAVITY	3090
PLUNGER	3090
PINS	3090-1
INSERT	10870
RAIL AND PILLAR SPACERS	.375



NOTE : TUBE (T0100) TO BE INSTALLED ALL MOLDED PARTS.



MATERIAL: G.P. PHENOLIC (B11)
COLOR: BLACK

TOLERANCES: UNLESS OTHERWISE SPECIFIED	DO NOT SCALE DRAWING			
DECIMALS: X.XXX ± .005 X.XX ± .015	MM: X.XX ± 0.15MM X.X ± 0.4MM	-	CAD/REDRAWN	HD 1/16/96
FRACTIONS ± 1/64	ANG. ± 1°	CHANGES		