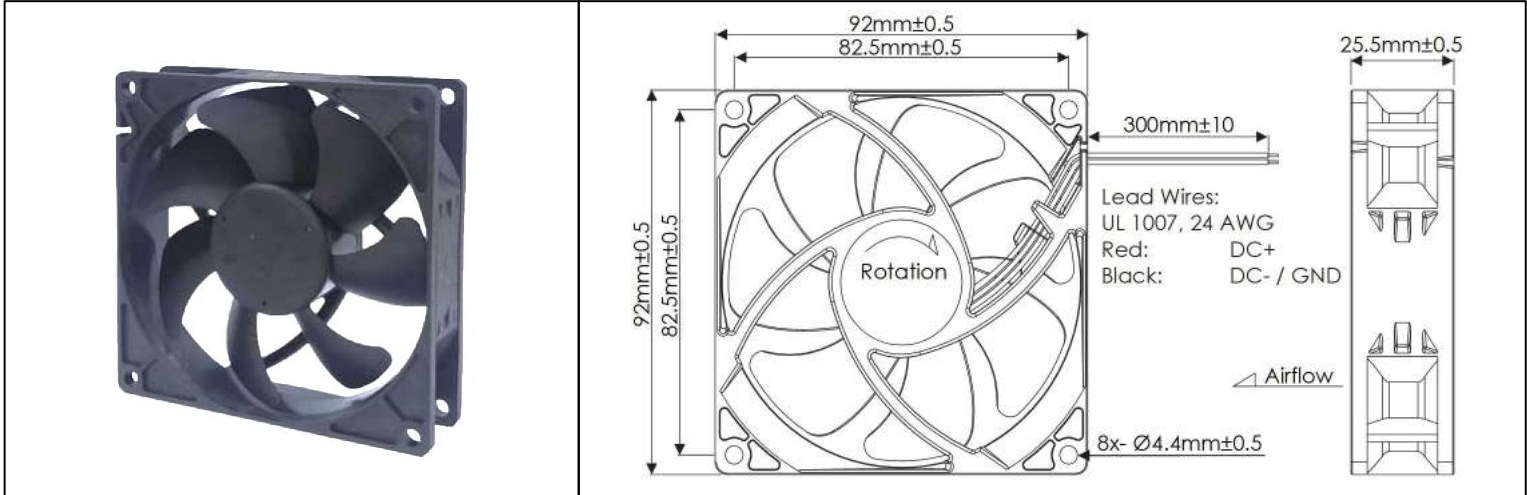


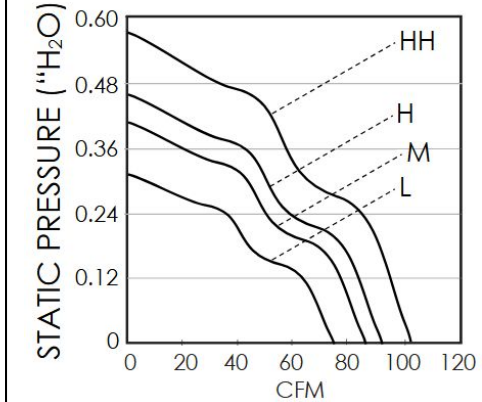
OD9225 XE Series



DC Fans - 12, 24, 48V
92mm x 25mm (3.6" x 1.0")



Frame	PBT, UL94 V-0 Plastic	Operating Temperature -20°C ~ +65°C Storage Temperature -20°C ~ +75°C Life Expectancy 70,000 Hours (L10 at 40°C) Available Options Tachometer Output Alarm Output PWM Speed Control Input IP Ratings Weight: 0.18 lbs
Impeller	PBT, UL94 V-0 Plastic	
Connection	2x Lead Wires, 24 AWG	
Motor	Brushless DC, Auto Cutoff, Auto Restart, Polarity Protected, Electronically Protected	
Bearing System	Ball Bearings	
Dielectric Strength	500VDC/min, <1mA	
Insulation Resistance	≥10MΩ @ 500V DC	



Part Number	Rated Voltage (Volts DC)	Voltage Range (Volts DC)	Input Power (Watts)	Rated Current (Amps)	Rated Speed (RPM)	Max Airflow (CFM)	Noise Level (dBA)	Max Static Pressure ("H ₂ O)
OD9225-12HHBXE	12 VDC	8 ~ 13.8	10.3	0.85	5475	102.7	55.2	0.58"
OD9225-12HBXE	12 VDC	8 ~ 13.8	8.4	0.70	5000	93.8	53	0.47"
OD9225-12MBXE	12 VDC	8 ~ 13.8	5.5	0.45	4490	84.6	50.2	0.40"
OD9225-12LBXE	12 VDC	8 ~ 13.8	4.3	0.35	4000	75.7	48.0	0.31"
OD9225-24HHBXE	24 VDC	15 ~ 26	10.3	0.43	5475	102.7	55.2	0.58"
OD9225-24HBXE	24 VDC	15 ~ 26	8.4	0.35	5000	93.8	53	0.47"
OD9225-24MBXE	24 VDC	15 ~ 26	5.5	0.23	4490	84.6	50.2	0.40"
OD9225-24LBXE	24 VDC	15 ~ 26	4.4	0.19	4000	75.7	48.0	0.31"
OD9225-48HHBXE	48 VDC	28 ~ 52	10.2	0.20	5475	102.7	55.2	0.58"
OD9225-48HBXE	48 VDC	28 ~ 52	8.1	0.15	5000	93.8	53	0.47"
OD9225-48MBXE	48 VDC	28 ~ 52	5.3	0.10	4490	84.6	50.2	0.40"
OD9225-48LBXE	48 VDC	28 ~ 52	4.0	0.06	4000	75.7	48.0	0.31"