

4

3

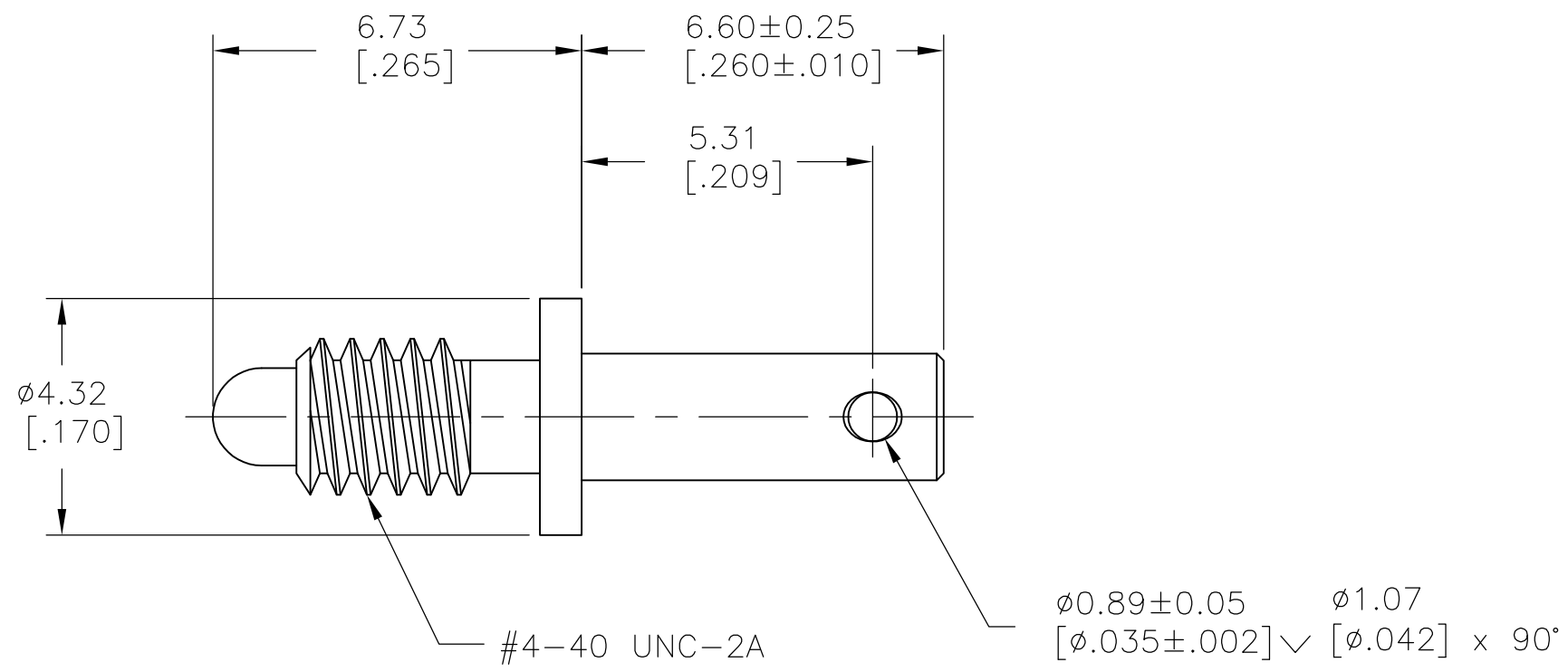
2

1

THIS DRAWING IS UNPUBLISHED. RELEASED FOR PUBLICATION
 © COPYRIGHT - By - ALL RIGHTS RESERVED.

LOC	DIST	REVISIONS					
AD	26	P	LTR	DESCRIPTION	DATE	DWN	APVD
		A		NEW DRAWING	10JAN12	KH	AS

- △ 1 MATERIAL: STAINLESS STEEL.
- △ 2 FINISH: PASSIVATED.



598196-2
 PART NUMBER

THIS DRAWING IS A CONTROLLED DOCUMENT.		DWN	KIRAN HOLAL	10JAN12	TE Connectivity												
DIMENSIONS: mm [INCHES]		CHK	ALEXANDER SHARPE	10JAN12													
TOLERANCES UNLESS OTHERWISE SPECIFIED:		APVD	ALEXANDER SHARPE	10JAN12													
<table border="0"> <tr><td>0 PLC</td><td>± -</td></tr> <tr><td>1 PLC</td><td>± -</td></tr> <tr><td>2 PLC</td><td>± -</td></tr> <tr><td>3 PLC</td><td>± 0.13 [.005]</td></tr> <tr><td>4 PLC</td><td>± -</td></tr> <tr><td>ANGLES</td><td>± -</td></tr> </table>		0 PLC	± -	1 PLC				± -	2 PLC	± -	3 PLC	± 0.13 [.005]	4 PLC	± -	ANGLES	± -	PRODUCT SPEC
0 PLC	± -																
1 PLC	± -																
2 PLC	± -																
3 PLC	± 0.13 [.005]																
4 PLC	± -																
ANGLES	± -																
MATERIAL		APPLICATION SPEC		SIZE	CAGE CODE	DRAWING NO	RESTRICTED TO										
△ 1		FINISH		A3 00779		C-598196	-										
△ 2		CUSTOMER DRAWING		WEIGHT	SCALE 8:1		SHEET 1 OF 1										
						REV A											