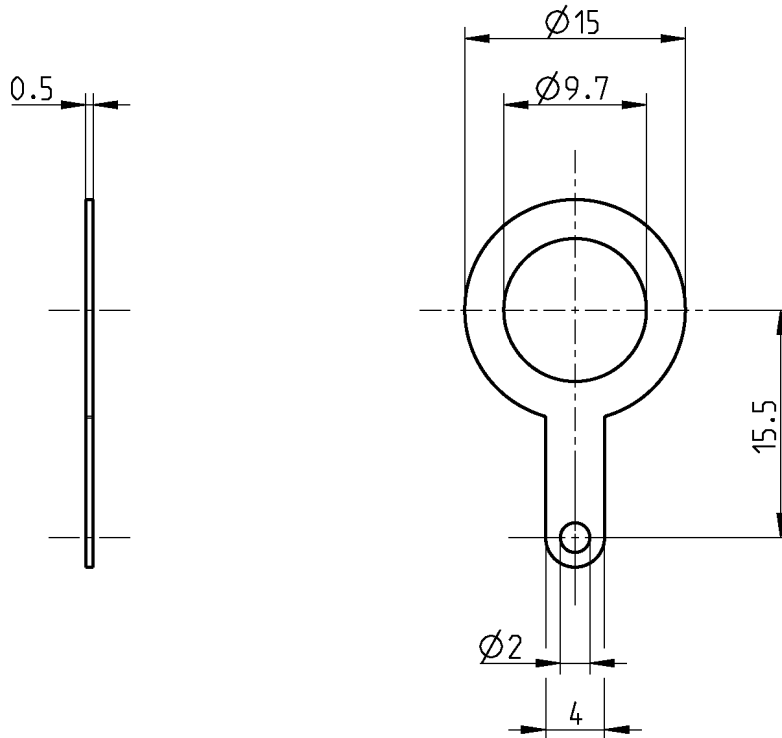


BNC 50
Ω

SOLDERING TAG

51Z120-000B



All dimensions are in mm; tolerances according to ISO 2768 m-H

Material and plating

Connector parts
Body

Material
Brass

Plating
Silver, 3-6 μm

Weight

Weight

0.6 g/pce

Environmental data

RoHS

compliant

While the information has been carefully compiled to the best of our knowledge, nothing is intended as representation or warranty on our part and no statement herein shall be construed as recommendation to infringe existing patents. In the effort to improve our products, we reserve the right to make changes judged to be necessary.

Draft	Date	Approved	Date	Rev.	Engineering change number	Name	Date
Inge Mühlauer	20/07/04	Sa. Krautenbacher	18.03.14	c00	14-0352	T. Krojer	18.03.14
Rosenberger Hochfrequenztechnik GmbH & Co. KG P.O.Box 1260 D-84526 Tittmoning Germany www.rosenberger.de					Tel.: +49 8684 18-0 Fax: +49 8684 18-499 email: info@rosenberger.de		Page 1 / 1