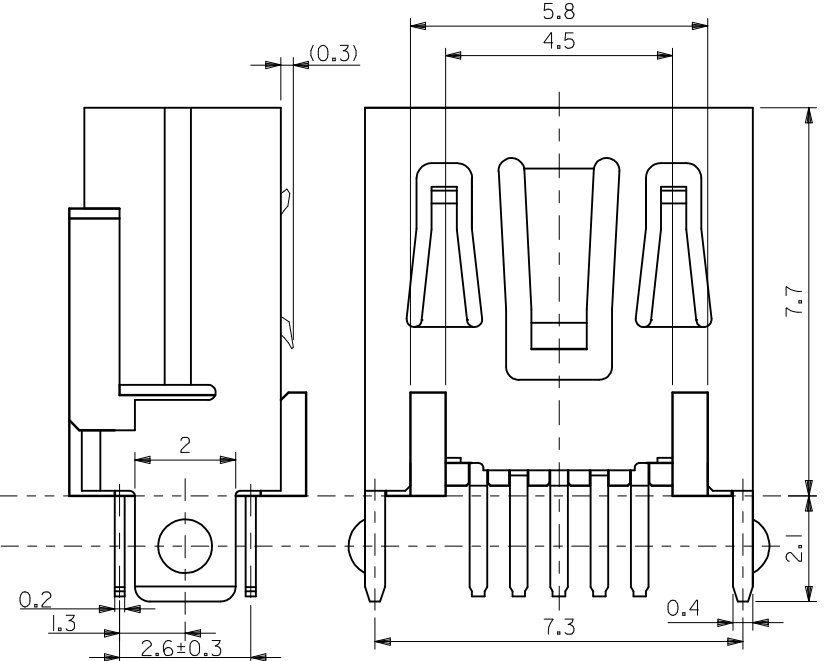
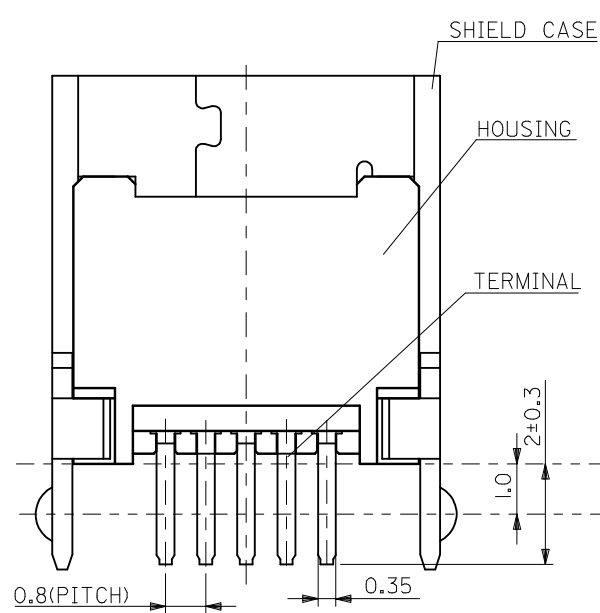


DETAILED FRONTAGE

コネクタ実装側 (CONNECTOR MOUNT SIDE)

逆側 (REVERSE SIDE)

推奨基板寸法  
RECOMMENDED P.C.B. PATTERN LAYOUT



注記  
NOTES

- 材質  
MATERIAL  
ハウジング: ポリアミド, 黒色, UL 94V-0  
HOUSING: POLYAMIDE, BLACK, UL94V-0  
ターミナル: 銅合金 (t=0.2)  
TERMINAL: COPPER ALLOY (t=0.2)  
シールド ケース: 銅合金 (t=0.4)  
SHIELD CASE: COPPER ALLOY (t=0.4)
- メッキ仕様  
PLATING  
ターミナル  
TERMINAL  
接点部: 金メッキ  
CONTACT AREA: GOLD  
半田付け部: 錫メッキ  
SOLDER TAIL AREA: TIN  
下部: ニッケルメッキ  
UNDER PLATING: NICKEL  
シールド ケース  
SHIELD CASE  
錫メッキ  
TIN  
下部: ニッケルメッキ  
UNDER PLATING: NICKEL
- 本製品は 500075-0519 の鉛フリー品である。  
THIS PRODUCT IS LEAD FREE OF 500075-0519.

500075-0517  
TRAY PACKAGE  
ORDER No.

REVISED EC NO: J2009-1533 DRW: NESATO 2009/06/25 CHKD: MATSUMOTO 2009/06/25 APPR: NUKITA 2009/06/25	GENERAL TOLERANCES (UNLESS SPECIFIED)		DIMENSION STYLE MM ONLY		SCALE 10:1	DESIGN UNITS METRIC	THIRD ANGLE PROJECTION
	10 UNDER	±0.2	DRAWN BY H. KAWABATA	DATE 2004/03/30	TITLE MINI-B STRAIGHT TYPE 2 REC. ASS'Y -LEAD FREE-		
	10 OVER 30 UNDER	±0.25	CHECKED BY K. TOJO	DATE 2004/03/30	MOLEX INCORPORATED		
	30 OVER	±0.3	APPROVED BY M. SASAO	DATE 2004/03/30	DOCUMENT NO. SD-500075-007	SHEET NO. 1 OF 1	
REV A	ANGULAR ±3 °	DRAFT WHERE APPLICABLE MUST REMAIN WITHIN DIMENSIONS		SEE TABLE			
				THIS DRAWING CONTAINS INFORMATION THAT IS PROPRIETARY TO MOLEX INCORPORATED AND SHOULD NOT BE USED WITHOUT WRITTEN PERMISSION			