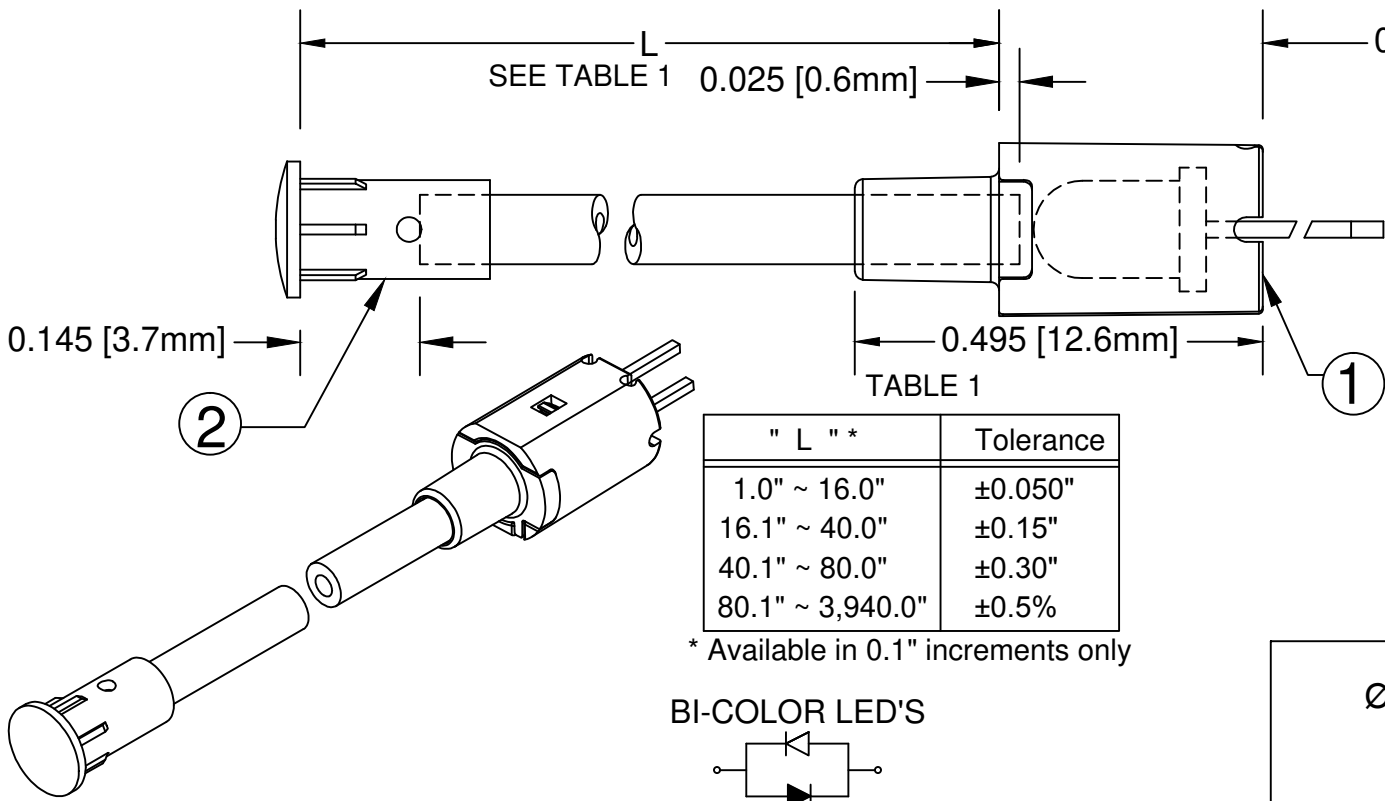


ITEM	Q'TY	PART NUMBER	PART DESCRIPTION
1	1	FLPV-XX	Flexible Light Pipe Adapter, Vertical, w/LED, See page 2 & 3.
2	1	LC-XX.X	Flexible Light Pipe Lens Cap Assembly

REV.	DESCRIPTION	DATE	APPROVED
G	Updated FLPC Hidden View	08/27/08	M. C.
H	Updated White Assy P/N	12/03/10	T. Y.
J	Updated Table For Length "L"	11/14/12	T. Y.
K	Replace 3UWC-0.6K-F With 3UWC1.035C-F	04/08/13	T. Y.
L	Updated LED Optical Characteristics	09/15/15	J. C.
M	Updated LED Tables	08/15/18	M. C.
N	Updated LED Tables	11/13/18	M. C.

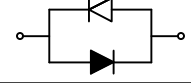
NOTE: FLPV-XX ADAPTER SHIPPED NON-ASSEMBLED



" L " *	Tolerance
1.0" ~ 16.0"	±0.050"
16.1" ~ 40.0"	±0.15"
40.1" ~ 80.0"	±0.30"
80.1" ~ 3,940.0"	±0.5%

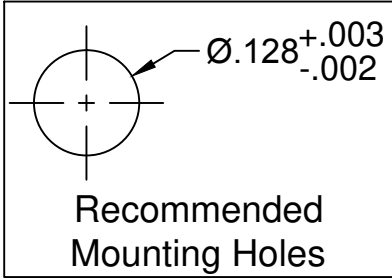
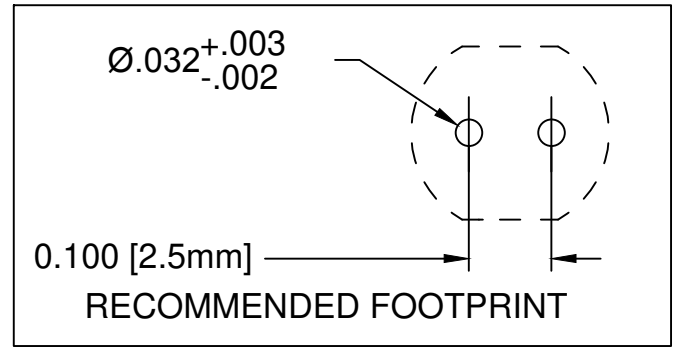
\* Available in 0.1" increments only

BI-COLOR LED'S



SHORT LEAD CATHODE	LED PART NO.	LONG LEAD CATHODE
RED	3xBCC-F	GREEN
YELLOW	3BC-Y/G-F	GREEN

SINGLE COLOR LED SHORT LEAD CATHODE



### ABSOLUTE MAXIMUM RATINGS (Ta=25°C)

REVERSE VOLTAGE	5V
REVERSE CURRENT	100uA
OPERATING TEMPERATURE RANGE	-25° C - 85° C
STORAGE TEMPERATURE	-30° C - 100° C
LEAD SOLDERING TEMPERATURE(1/16" FROM BODY)	260° C FOR 5 SECONDS

STANDARD TOLERANCE (UNLESS OTHERWISE SPECIFIED)		 4 THOMAS, IRVINE, CA. 92618 TEL: (949) 951-8808 FAX: (949) 951-3974	
DECIMALS	ANGULAR		
.X ±.1	X° ±1°	TITLE: FLEXIBLE LIGHT-PIPE ASSY VERTICAL, 3mm LENS CAP W/LED PART NO: FLPVX.X-XX REVISION: N	
.XX ±.02			
.XXX ±.010		CAGE CODE: 32559 SCALE: NONE SHEET # 1 OF 3 CAD GENERATED DOCUMENT, DO NOT MEASURE DRAWING	
DESIGNED: D. GREEN	DATE: 06/09/03		
REVISOR: K. BARON	DATE: 11/13/18	SHEET # 1 OF 3	
CHECKED: TD. NGUYEN	DATE: 11/13/18		

FLEXIBLE LP ASSY Part No.	ADAPTER Part No.	LED Part No.	Peak Wave Length	Emitted Color	Electro-Optical Data @ 20mA		
			$\lambda p(\text{nm})$		Vf (V)		Iv (mcd)
					TYP	MAX	TYP
FLPVX.X-SG	FLPV-SG	3SGC-F	568	SUPER GREEN	2.1	2.8	50
FLPVX.X-SY	FLPV-SY	3SYC-F	590	SUPER YELLOW	2.0	2.8	50
FLPVX.X-SR	FLPV-SR	3SRC-F	645	SUPER RED	1.7	2.4	60
FLPVX.X-UBW.6K	FLPV-UBW.6K	3UBWC-0.6K-F	470	BLUE	4.0	4.5	400
FLPVX.X-UT	FLPV-UT	3UTC-F	500	TURQUOISE	3.5	4.0	800
FLPVX.X-UG	FLPV-UG	3UGC-F	570	GREEN	2.1	2.4	200
FLPVX.X-SUG	FLPV-SUG	3SUGC-F	570	GREEN	2.1	2.4	300
FLPVX.X-UY	FLPV-UY	3UYC-F	590	YELLOW	2.0	2.4	300
FLPVX.X-UR	FLPV-UR	3URC-F	645	RED	1.7	2.4	200
FLPVX.X-SUR	FLPV-SUR	3SURC-F	640	RED	1.8	2.4	200
FLPVX.X-UW.6K	FLPV-UW.6K	3UWC1.035C-F	-	WHITE	3.2	3.6	6000

VISIT [WWW.BIVAR.COM](http://WWW.BIVAR.COM) FOR CURRENT LED DATASHEETS  
LED DETAILS ON DATASHEETS TAKE PRECEDENCE OVER DETAILS SHOWN HERE

FLEXIBLE LIGHT  
PIPE SERIES

FLPVX.X - XXX

Emitted Colors

"L" LENGTH, inches  
available in 0.1" increments only  
e.g. 6.0, 11.5

FLEXIBLE LP ASSY Part No.	Adapter Part No.	LED Part No.	Peak Wave Length $\lambda_p$ (nm)	Emitted Color	Electro-Optical Data @ 20mA		
					Vf (V)		Iv (mcd)
					TYP	MAX	TYP
FLPVX.X-BC	FLPV-BC	3BCC-F	625	HE RED	2.0	2.8	8
			568	GREEN	2.1	2.8	8
FLPVX.X-SBC	FLPV-SBC	3SBCC-F	645	SUPER RED	1.7	2.4	100
			568	HE GREEN	2.1	2.8	60

VISIT [WWW.BIVAR.COM](http://WWW.BIVAR.COM) FOR CURRENT LED DATASHEETS  
LED DETAILS ON DATASHEETS TAKE PRECEDENCE OVER DETAILS SHOWN HERE

FLEXIBLE LIGHT PIPE SERIES

FLPVX.X - XXX

Emitted Colors

"L" LENGTH, inches  
available in 0.1" increments only  
e.g. 6.0, 11.5

<b>BIVAR</b> <sup>®</sup>	
PART NO: FLPVX.X-XX	REVISION: N
SCALE: NONE	SHEET # 3 OF 3
CAD GENERATED DOCUMENT, DO NOT MEASURE DRAWING	