

# UNIVERSAL ADAPTOR PLATE

AM-60561 11-31-2176

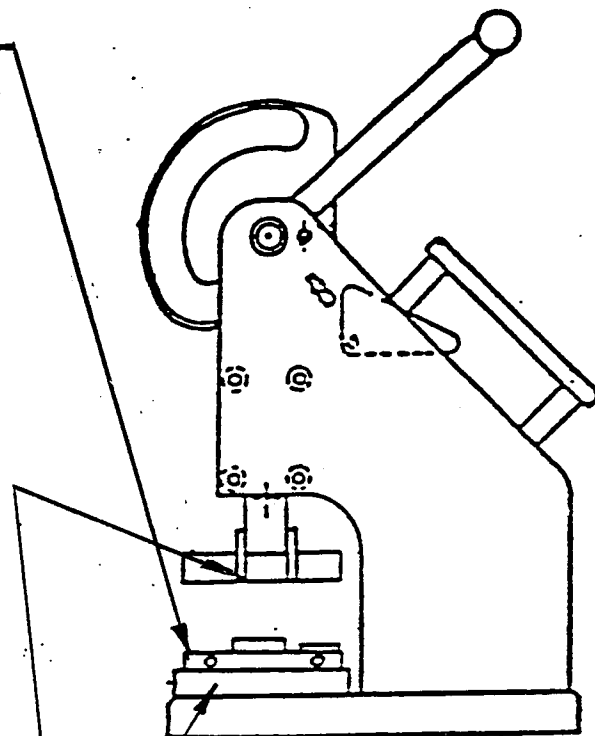
Assembling Universal Adapter Plate Assembly AM-60561  
(11-31-2176) (See Fig. 4)

1. Place AM-60561-1 (11-31-2177) fixture plate in press and fasten in place with two (2) #10 - 32 x 5/8" lg. socket head cap screws.
2. Place AM-60561-3 (11-31-2179) side plate on right side of fixture plate and fasten with two (2) #8 - 32 x 3/8 lg. button head cap screws.
3. Place AM-60561-4 (11-31-2180) cable insert in slot on right side of fixture plate. (NOTE: this insert must slide freely in slot.)
4. AM-60561-2 (11-31-2178) cable stop to be placed on housing insert, depending on which change tooling kit is used.

# ASSEMBLY PRESS TOOLING OPTIONS

## Tooling Options

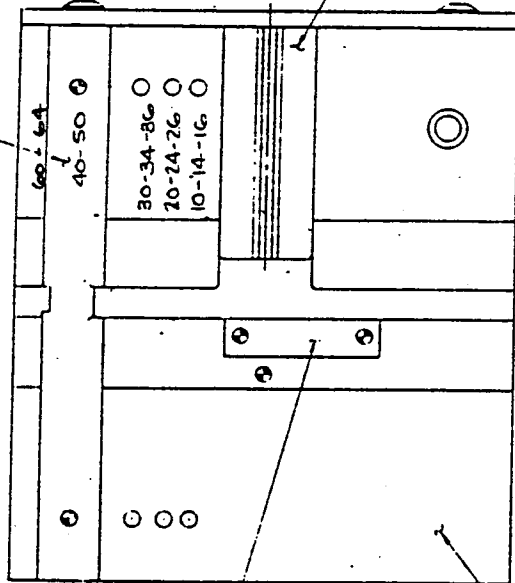
- AM-60561 (11-31-2176)  
Universal Adapter Plate Assembly  
for 40312, 70121, 71007, 5320, 5350,  
5360, 5370, 5380, 71521, 71522, 71527-31
- AM-60007 (11-31-5557)  
Change Parts for 71522  
Connectors
- AM-60008 (11-31-5555)  
Change Parts for 71521  
Connectors
- AM-60043 (11-21-9391)  
Change Part Kit for 71527, 71528  
71530 & 71531 Conn. 9 - 37 ckt.
- AM-60552 (11-31-2181)  
Change Part Kit for 40312 & 70121  
Connectors 10 - 64 ckt.
- AM-60555 (11-31-2184)  
Change Part Kit for 71007 Connec-  
tors 10 - 50 ckt.  
(Consult Eng. Dept. for 60 - 64 ckt.  
connectors)
- AM-60566 (11-31-2187)  
Change Part Kit for 5350, 5360,  
5370 & 5380 Conn. 10 - 64 ckt.
- AM-60567 (11-31-2335)  
Change Part Kit for 5320 Connec-  
tors 10 - 60 ckt.
- AM-63125 (11-21-9746)  
Change Part Kit for 70720 & 70721  
DL-50 CONNECTOR. 24, 36 & 50 ckt.



AM 60042 11-20-0947  
RIBBON CABLE TOOLING ADAPTOR



FIGURE RAIL  
(CHANGE PART)

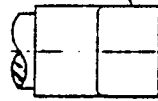


CABLE STOP ②

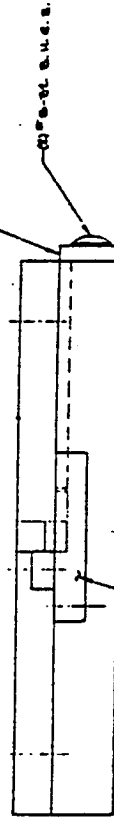
FIGURE PLATE ①

④ CABLE INSERT

PLATE N  
(CHANGE PART)



③ SIDE PLATE



HOUSING INSERT  
(CHANGE PART)

CONNECTOR	CHANGE PART NO. / FIGURE NUMBER	PLATE N
40814	AM-60862 11-31-2161	STANDARD SUPPLIED WITH PRESS
70121	AM-60867 11-31-3335	
6320	AM-60865 11-31-2164	
71007		
5350		
6860	AM-60506 11-31-2167	
6370		
6380		
71321	AM-60008 11-31-5555	STANDARD SUPPLIED WITH PRESS
71522	AM-60007 11-31-5557	

\* FOR 60-64 CIRC. CONNECTORS YOU MUST HAVE LONGER PLATE N-3.75" AM-4100-82 DIM. B"

CONNECTOR	CHANGE PART NO. / FIGURE NUMBER	PLATE N
40814	AM-60862 11-31-2161	STANDARD SUPPLIED WITH PRESS
70121	AM-60867 11-31-3335	
6320	AM-60865 11-31-2164	
71007		
5350		
6860	AM-60506 11-31-2167	
6370		
6380		
71321	AM-60008 11-31-5555	STANDARD SUPPLIED WITH PRESS
71522	AM-60007 11-31-5557	

UNIVERSAL ADAPTER  
PLATE ASSEMBLY

(FIG.4)