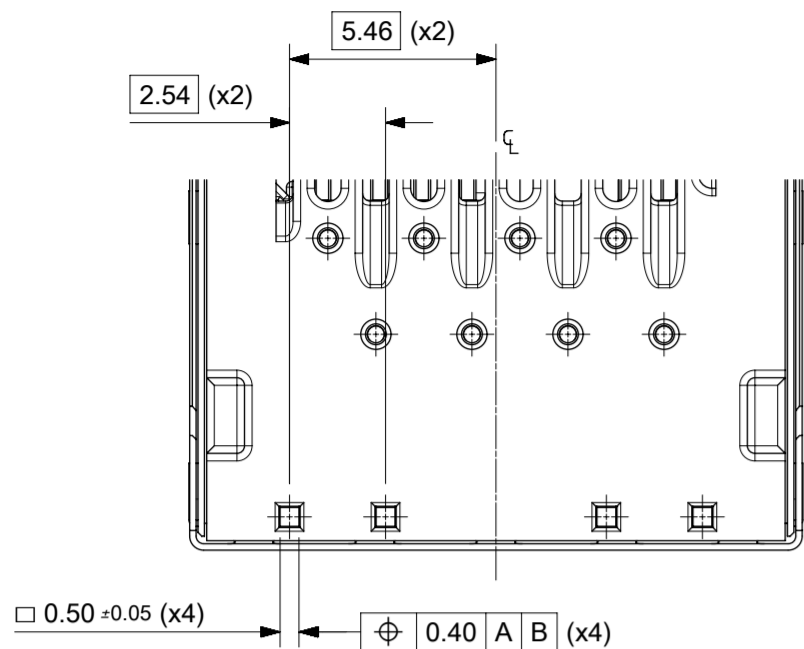
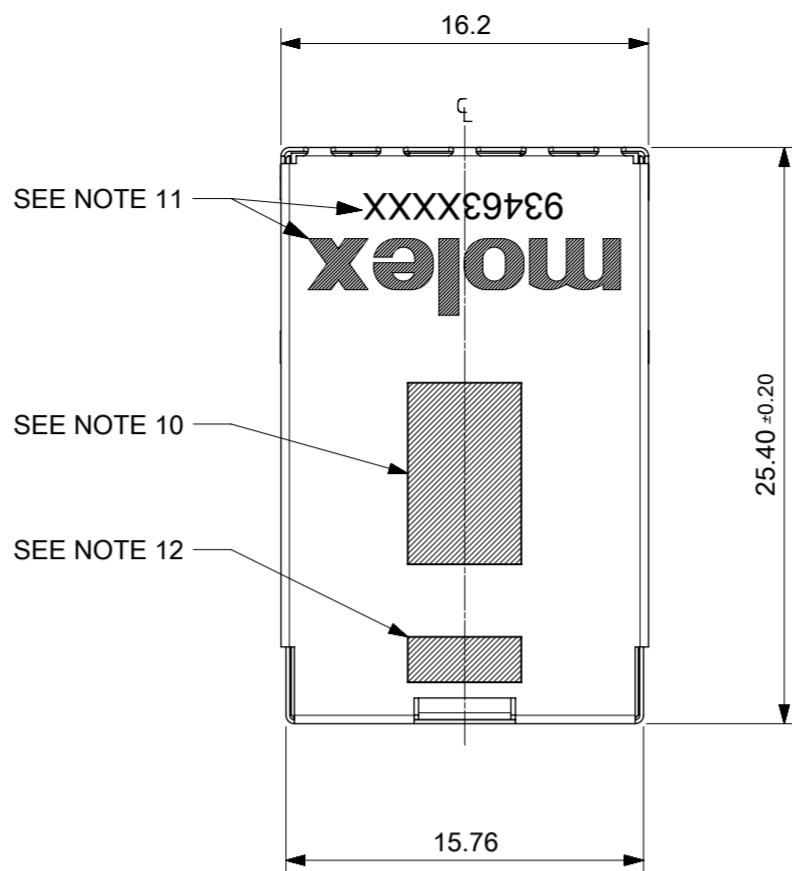


INVERTED PROFILE MAGNETIC JACK
FAST ETHERNET W/LED

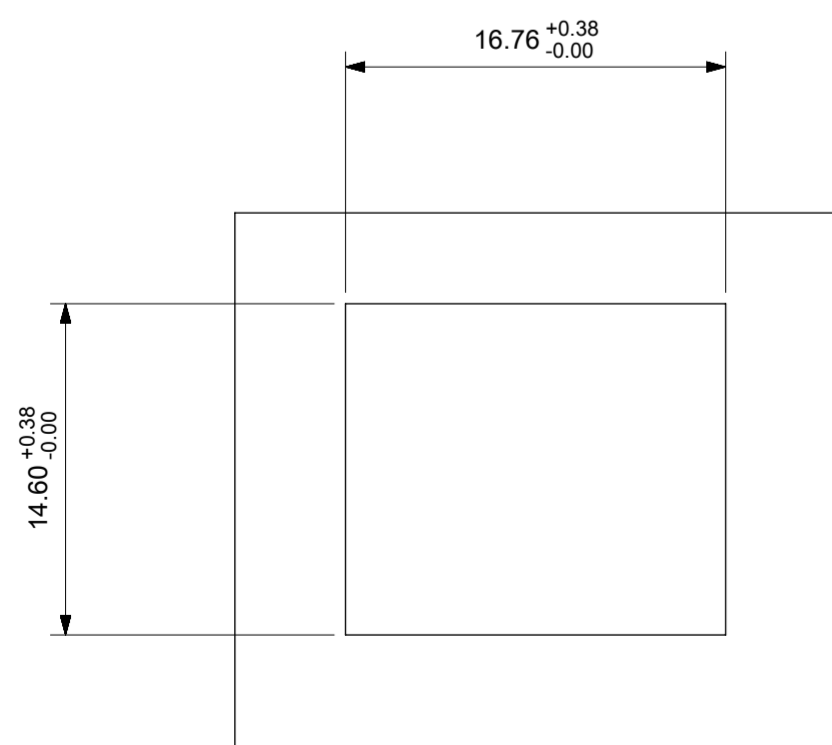
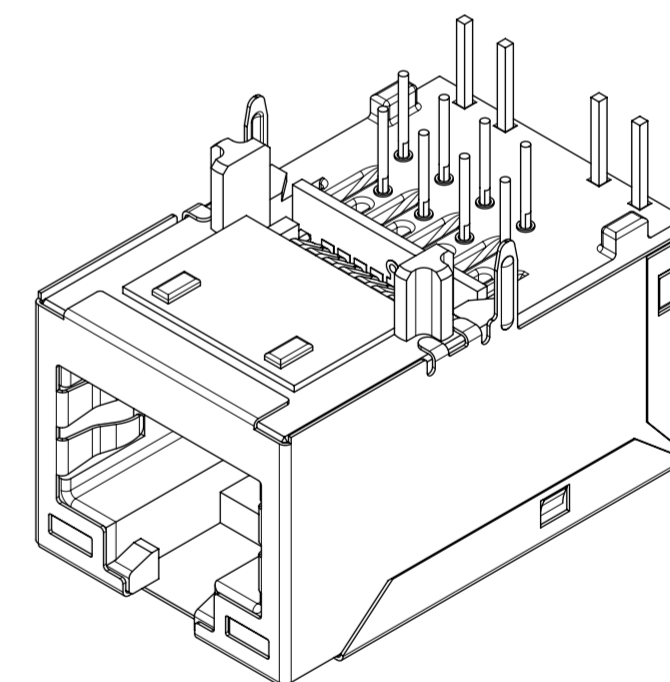
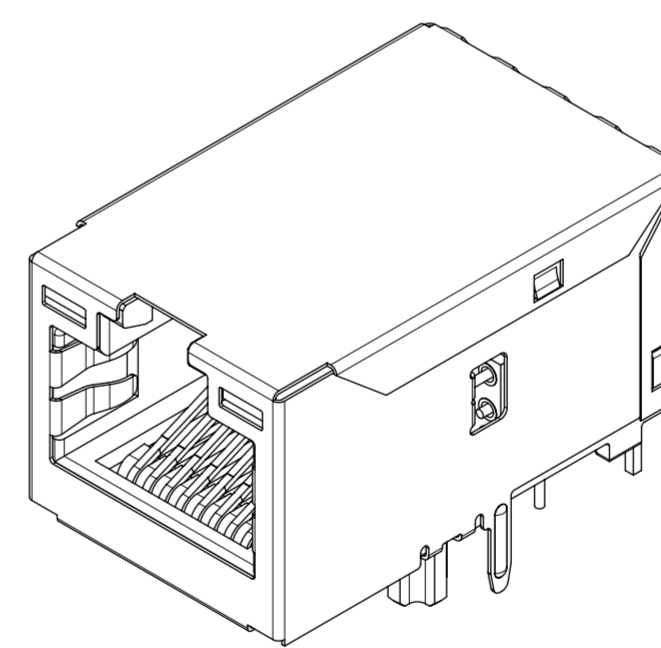
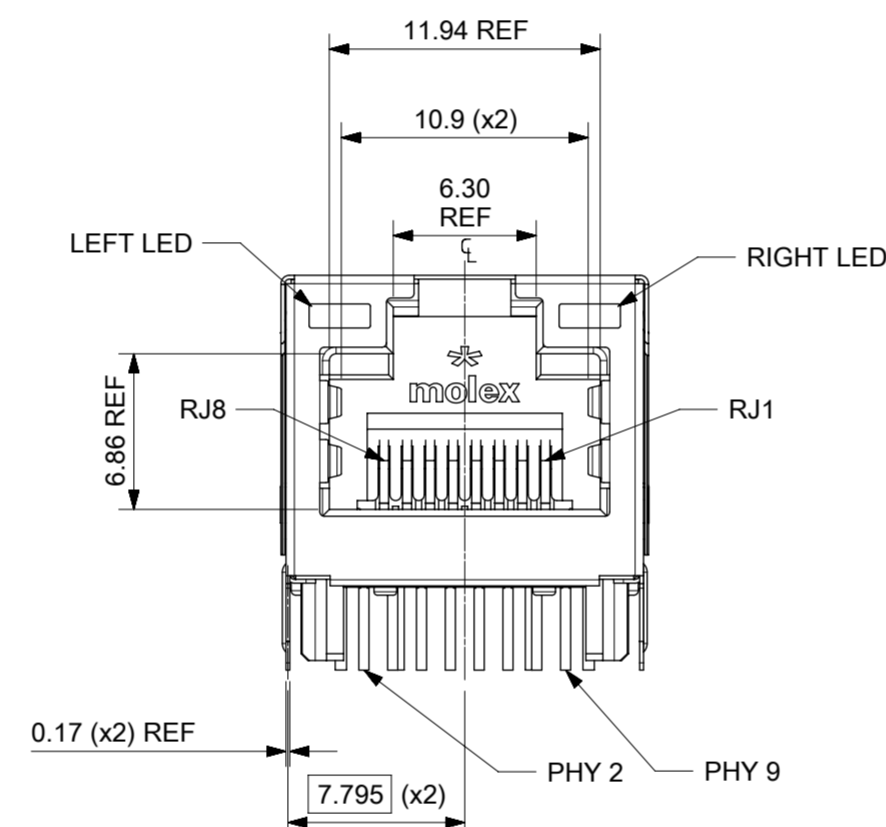
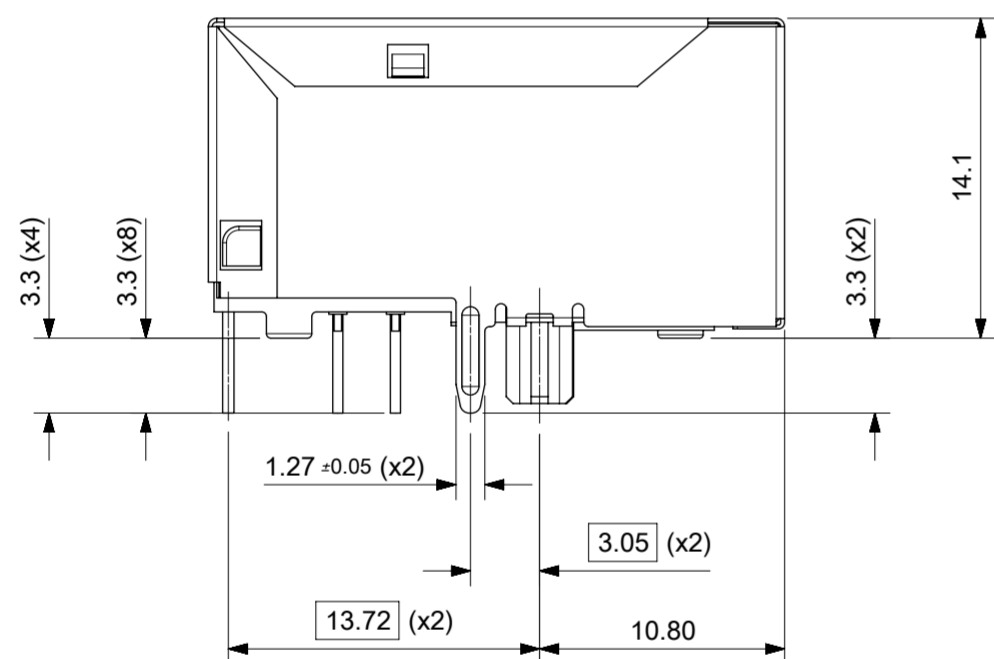


DETAIL A
SCALE 5:1

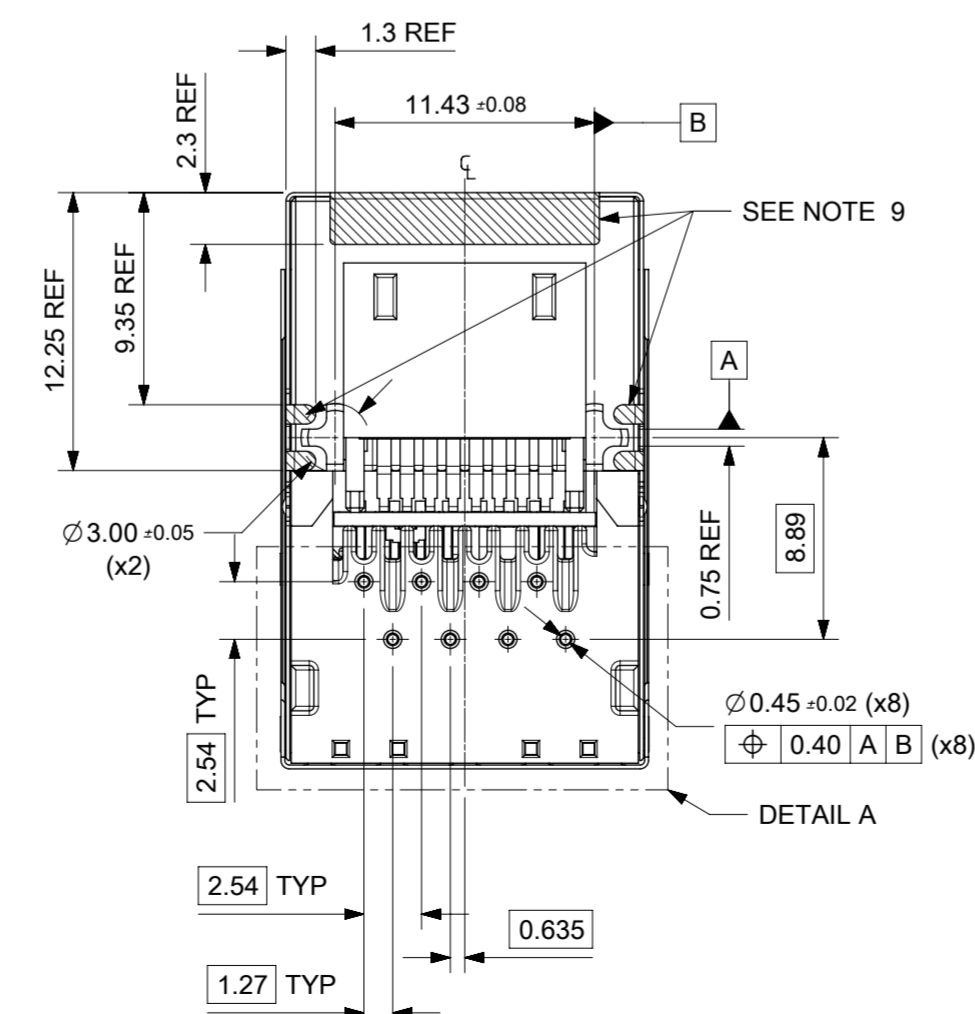


NOTES:

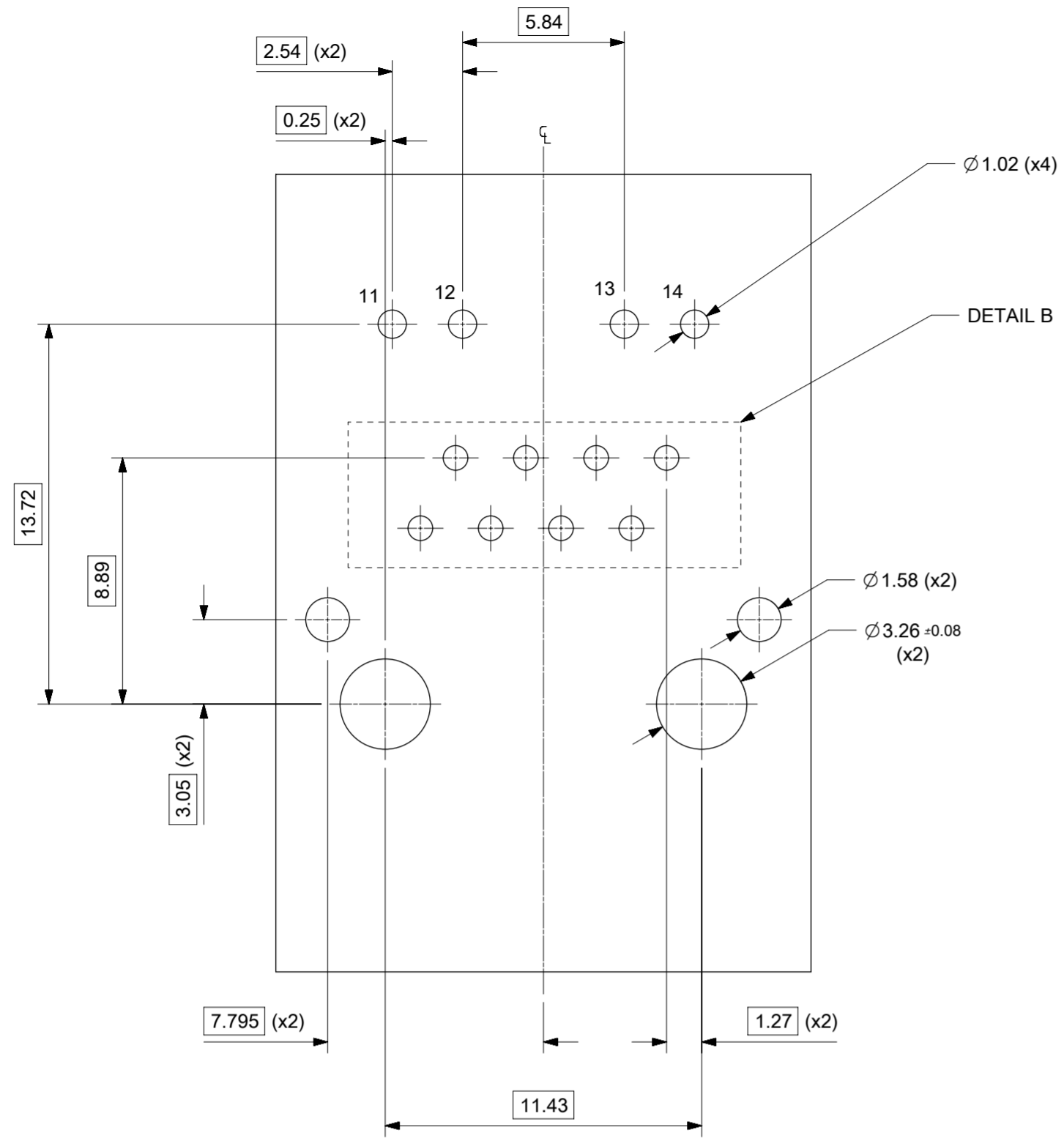
- 1 - SHIELD MATERIAL: 0.17MM THICK BRASS PRE-PLATED WITH NICKEL.
SOLDER TABS POST DIPPED WITH MIN. 1.27µm TIN
- 2 - HOUSING MATERIAL: LCP, BLACK, UL 94V-0.
- 3 - TERMINALS MATERIAL: PHOSPHOR BRONZE.
RJ45 CONTACT PLATING: BASE NICKEL, GOLD FLASH OVER PALLADIUM NICKEL.
PHY SOLDER TAILS: COPPER ALLOY REFER TO 934620001 PSP.
- 4 - MATING INTERFACE ACCORDING TO IEC 60603-7 & TIA-1096-A.
- 5 - PRODUCT SPECIFICATION: 934620001 PSP.
- 6 - PACKAGING SPECIFICATION: 934620001 PSK TRAY.
- 7 - STAND OFF TO SYSTEM BOARD 0.30 mm MIN.
- 8 - RECOMMENDED PCB THICKNESS: 1.57 mm REF.
- 9 - SHIELD: AVOID ROUTING TRACES
OR PLACING ANY VIAS BELOW THESE AREAS.
- 10 - AREA FOR PICK AND PLACE: 5.0 mm x 8.0 mm.
- 11 - INSCRIPTION MARKED BY LASER:
1st : MOLEX
2nd : P/N (SEE BOM)
- 12 - INSCRIPTION MARKED BY LASER:
3rd : DATE CODE(DAY/WEEK/YEAR)
- 13 - MATERIAL COMPLIANT TO RoHS DIRECTIVE 2002/95/EC.



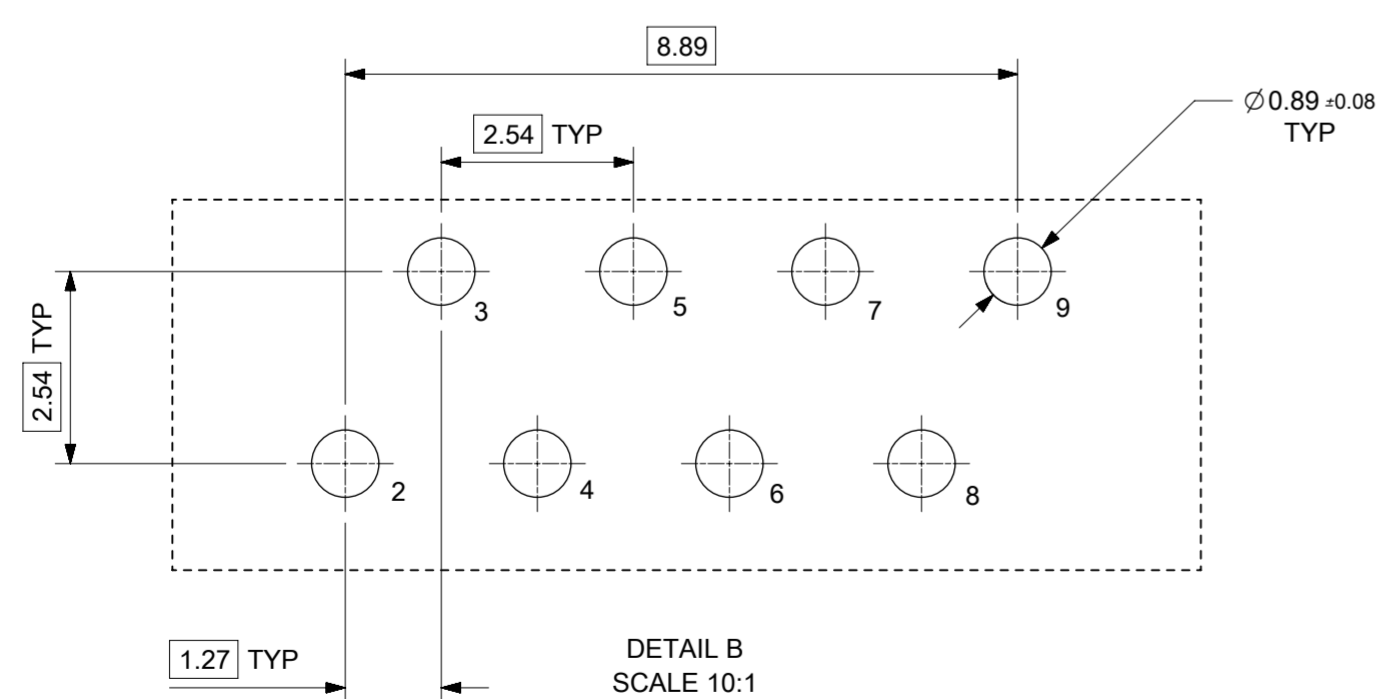
SUGGESTED PANEL CUT-OUT



THIS DRAWING CONTAINS INFORMATION THAT IS PROPRIETARY TO MOLEX ELECTRONIC TECHNOLOGIES, LLC AND SHOULD NOT BE USED WITHOUT WRITTEN PERMISSION												
UPDATED MAGBOX + 2KV EC NO: 114109 DRWN: SBRENNAN CHKD: DBYRNES APPR: STGRIFFIN	GENERAL TOLERANCES (UNLESS SPECIFIED)		DIMENSION UNITS	SCALE								
	ANGULAR TOL ± 2.0 °		MM	3:1								
	4 PLACES ±	DRWN BY		DATE	1" MXMAG 4 CORE FE IND							
	3 PLACES ±	KREILLY		2015/09/15								
	2 PLACES ± 0.1	CHK'D BY		DATE								
1 PLACE ± 0.2	DBYRNES		2015/12/17									
0 PLACES ±	APPR BY		DATE									
DRAFT WHERE APPLICABLE MUST REMAIN WITHIN DIMENSIONS		STGRIFFIN		2016/01/07	PRODUCT CUSTOMER DRAWING							
DRAWING SIZE		THIRD ANGLE PROJECTION		SERIES		MATERIAL NUMBER		CUSTOMER				
A2				93463		SEE TABLE ON SHEET 2		GENERAL MARKET				
REV		DOC TYPE		DOC PART		SHEET NUMBER						
B		PSD		000		1 OF 3						



SUGGESTED BOARD LAYOUT
FAST ETHERNET
VIEW FROM COMPONENT SIDE
ALL DIMS ARE REFERENCE



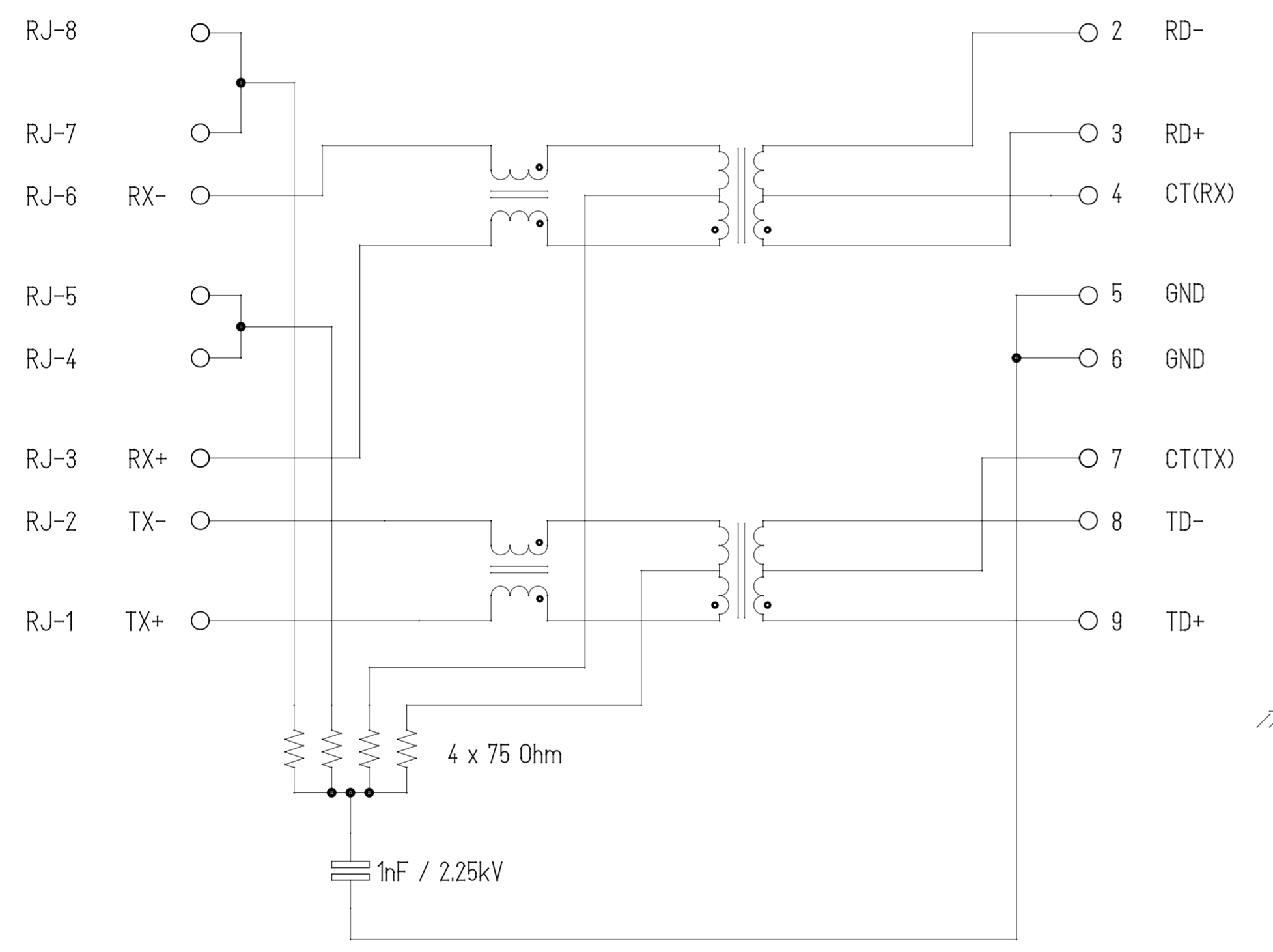
DETAIL B
SCALE 10:1
PIN CONFIGURATION
FOR FAST ETHERNET

PART NUMBER	LEFT LED	RIGHT LED
934635206	GREEN	YELLOW
934635205	GREEN	GREEN/YELLOW

THIS DRAWING CONTAINS INFORMATION THAT IS PROPRIETARY TO MOLEX ELECTRONIC TECHNOLOGIES, LLC AND SHOULD NOT BE USED WITHOUT WRITTEN PERMISSION

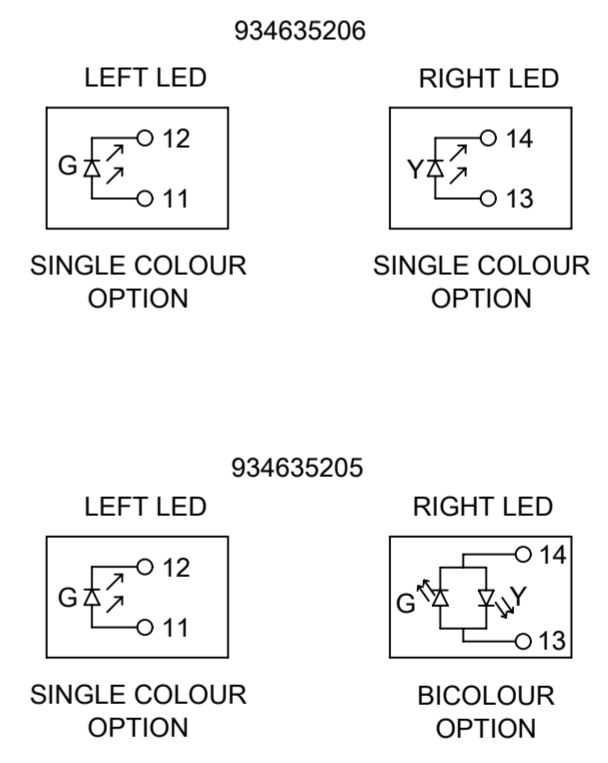
UPDATED MAGBOX + 2KV EC NO: 114109 DRWN: SBRENNAN CHKD: DBYRNES APPR: STGRIFFIN	2017/02/21	2017/04/14	2017/04/25	GENERAL TOLERANCES (UNLESS SPECIFIED)	DIMENSION UNITS	SCALE	
				ANGULAR TOL ± 2.0 °	MM	5:1	
				4 PLACES ±	DRWN BY	DATE	
				3 PLACES ±	KREILLY	2015/09/15	
				3 PLACES ±	CHK'D BY	DATE	
			2 PLACES ± 0.1	DBYRNES	2015/12/17		
			1 PLACE ± 0.2	APPR BY	DATE		
			0 PLACES ±	STGRIFFIN	2016/01/07		
			DRAFT WHERE APPLICABLE MUST REMAIN WITHIN DIMENSIONS	DRAWING SIZE	THIRD ANGLE PROJECTION		PRODUCT CUSTOMER DRAWING
				A2			SERIES
							MATERIAL NUMBER
							CUSTOMER
							93463
							SEE TABLE ON SHEET 2
							GENERAL MARKET
							DOCUMENT NUMBER
							934630002
							DOC TYPE
							PSD
							DOC PART
							000
							SHEET NUMBER
							2 OF 3

WIRE-SIDE / RJ-45 ETHERNET MAGNETICS PHY-SIDE / PCB SIDE



Description	Value	
OCL @100 kHz, 0.1 V, 8 mA DC bias (-40°C to +85°C)	350 µH min.	
OCL @100 kHz, 0.1 V, 8 mA DC bias (25°C)		
Turns ratio	1CT:1CT	
Transmission characteristics @ 25°C, all four pairs		
Insertion Loss		
Frequency (MHz)	Limits (dB max.)	Typical Values (dB max.)
1.0-9.9 MHz	0.4+0.1*log(F)	0.5 @ 10 MHz
10-49.9 MHz	0.5+0.3*log(F/10)	0.7 @ 50 MHz
50-79.9 MHz	1+1.4*log(F/80)	1.0 @ 80 MHz
80-100 MHz	1.3+3*log(F/100)	1.3 @ 100 MHz
Return Loss		
Frequency (MHz)	Limits (dB min.)	Typical Values (dB min.)
1.0-39.9 MHz	18	18 @ 40 MHz
40-100 MHz	12-20*log(F/80)	10 @ 100 MHz
CMR		
Frequency (MHz)	Limits (dB min.)	Typical Values (dB min.)
1.0-100 MHz	30	30 @ 100 MHz
Next		
Frequency (MHz)	Limits (dB min.)	Typical Values (dB min.)
1.0-39.9 MHz	35	35 @ 40 MHz
40-100 MHz	33-20*log(F/50)	27 @ 100 MHz
Isolation PHY to wire side	2.25 kVDC / 60 s	

ETHERNET TERMINALS



Shield

THIS DRAWING CONTAINS INFORMATION THAT IS PROPRIETARY TO MOLEX ELECTRONIC TECHNOLOGIES, LLC AND SHOULD NOT BE USED WITHOUT WRITTEN PERMISSION

UPDATED MAGBOX + 2KV EC NO: 114109 DRWN: SBRENNAN CHKD: DBYRNES REV APPR: STGRIFFIN	2017/02/21 2017/04/14 2017/04/25	GENERAL TOLERANCES (UNLESS SPECIFIED) ANGULAR TOL ± 2.0 °	DIMENSION UNITS: MM SCALE: 1:1		
	4 PLACES ± 3 PLACES ± 2 PLACES ± 0.1 1 PLACE ± 0.2 0 PLACES ±	DRAFT WHERE APPLICABLE MUST REMAIN WITHIN DIMENSIONS	DRWN BY: KREILLY DATE: 2015/09/15 CHK'D BY: DBYRNES DATE: 2015/12/17 APPR BY: STGRIFFIN DATE: 2016/01/07		PRODUCT CUSTOMER DRAWING
	DRAWING SIZE: A2 THIRD ANGLE PROJECTION	SERIES: 93463 MATERIAL NUMBER: SEE TABLE ON SHEET 2 CUSTOMER: GENERAL MARKET	DOCUMENT NUMBER: 934630002 DOC TYPE: PSD DOC PART: 000 SHEET NUMBER: 3 OF 3		
	RELEASE STATUS: P1 RELEASE DATE: 25.04.2017 14:48:33				