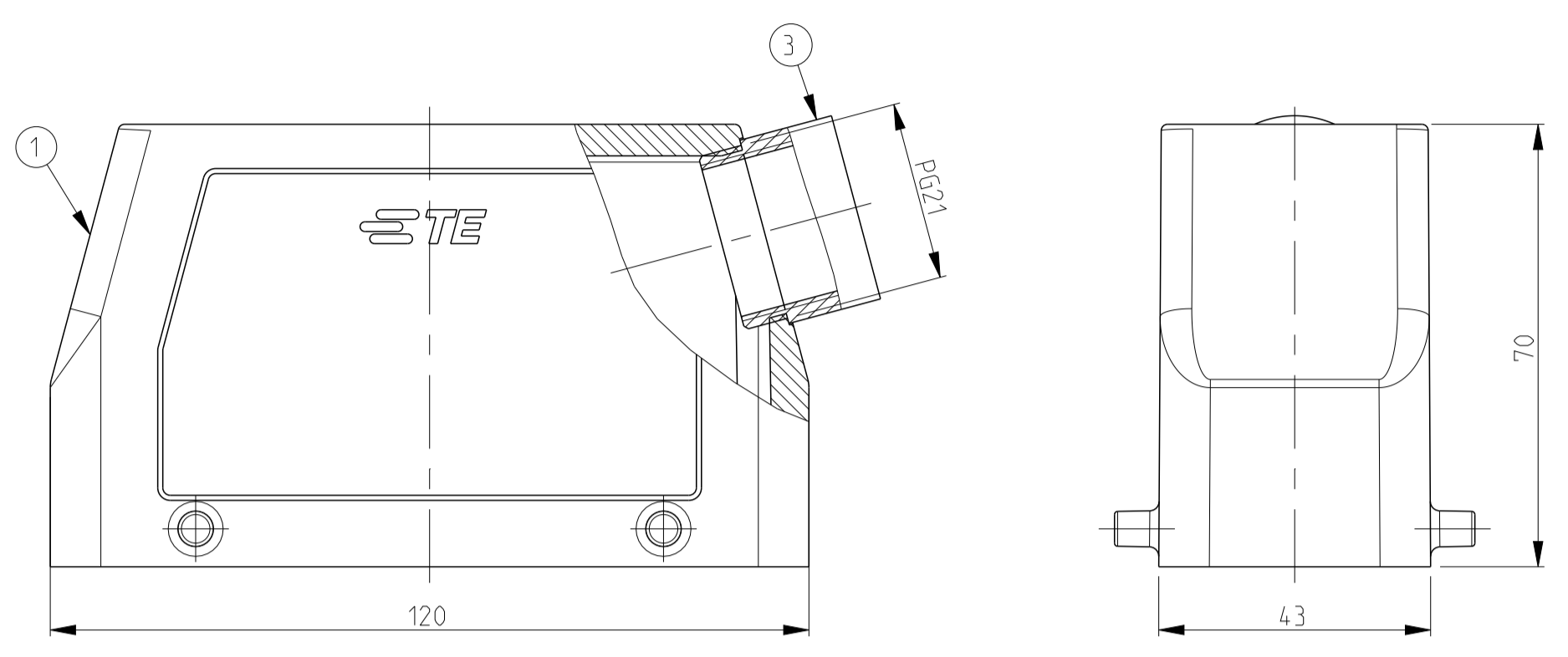


REVISIONS				
P	LTN	DESCRIPTION	DATE	DMN APVD
B5		REVISED PER ECR-16-016768	21AUG2017	AP MKO
B6		ECR-21-123293	24FEB2022	RK JB

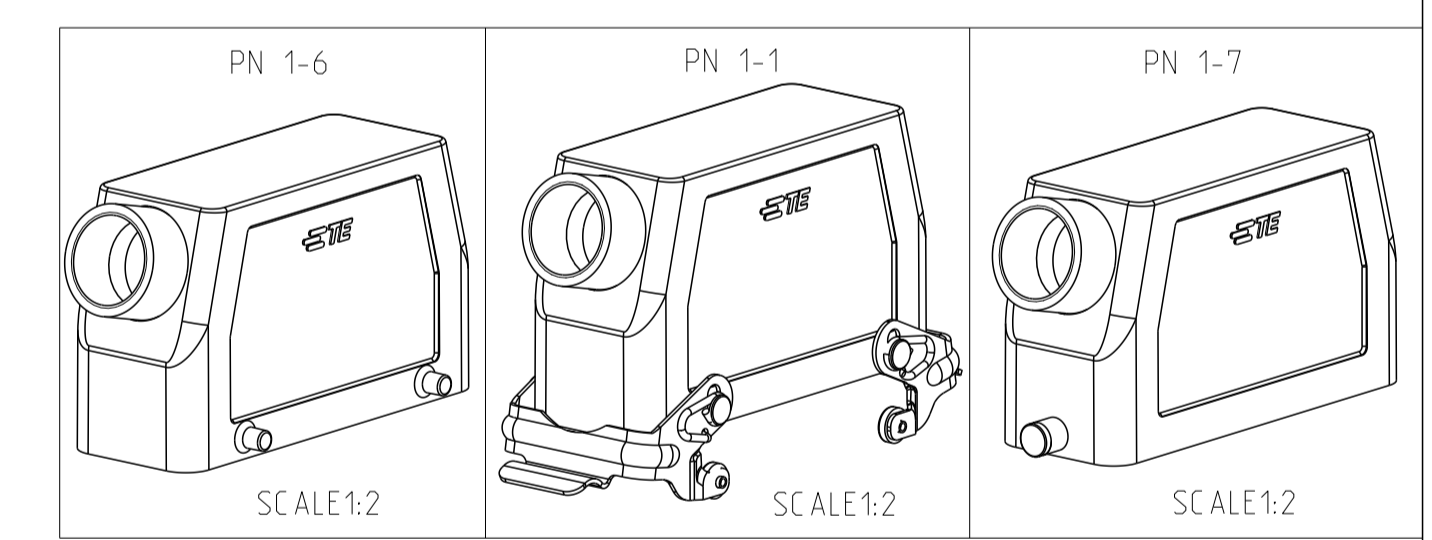
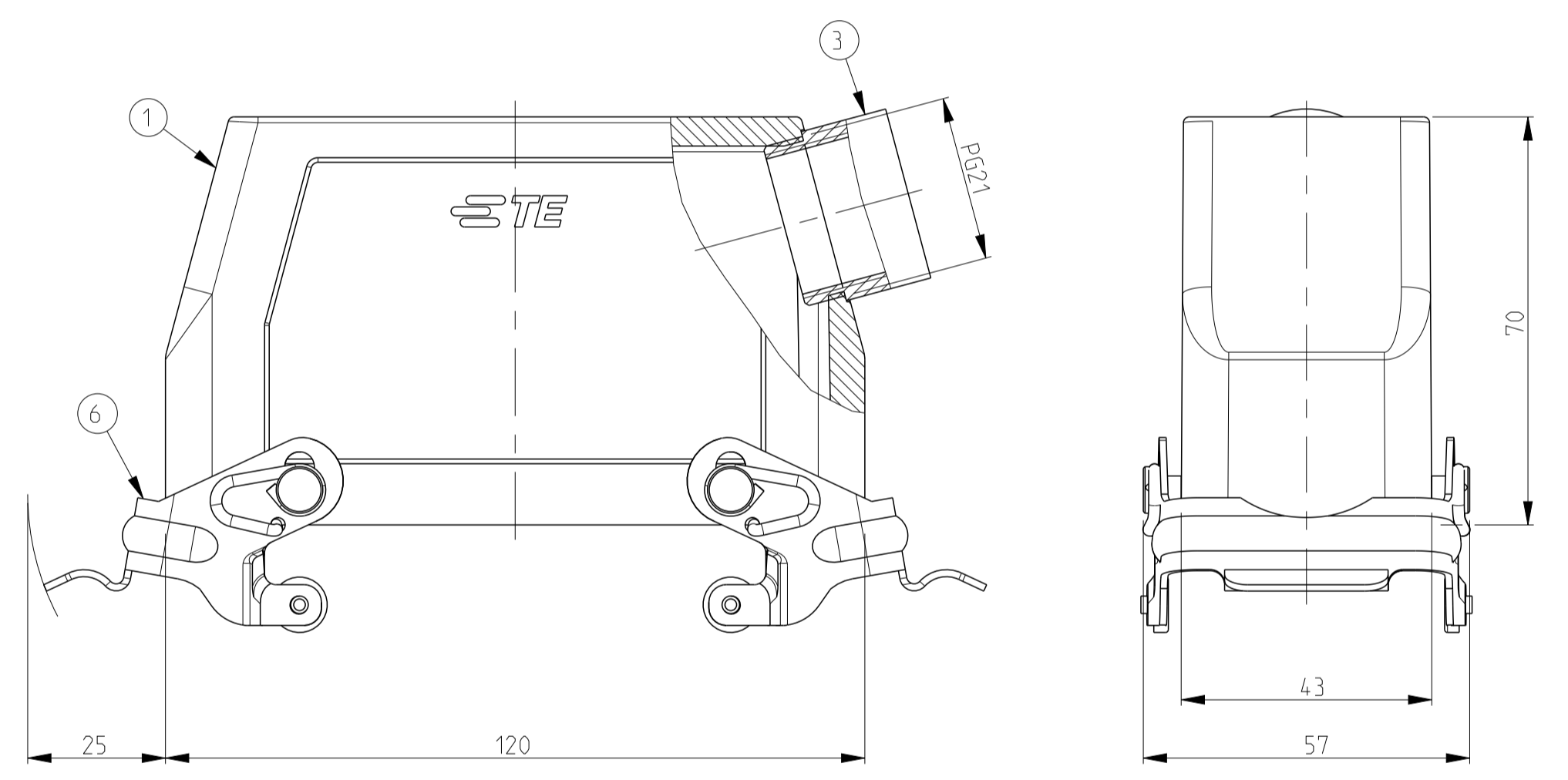
PN 1-6



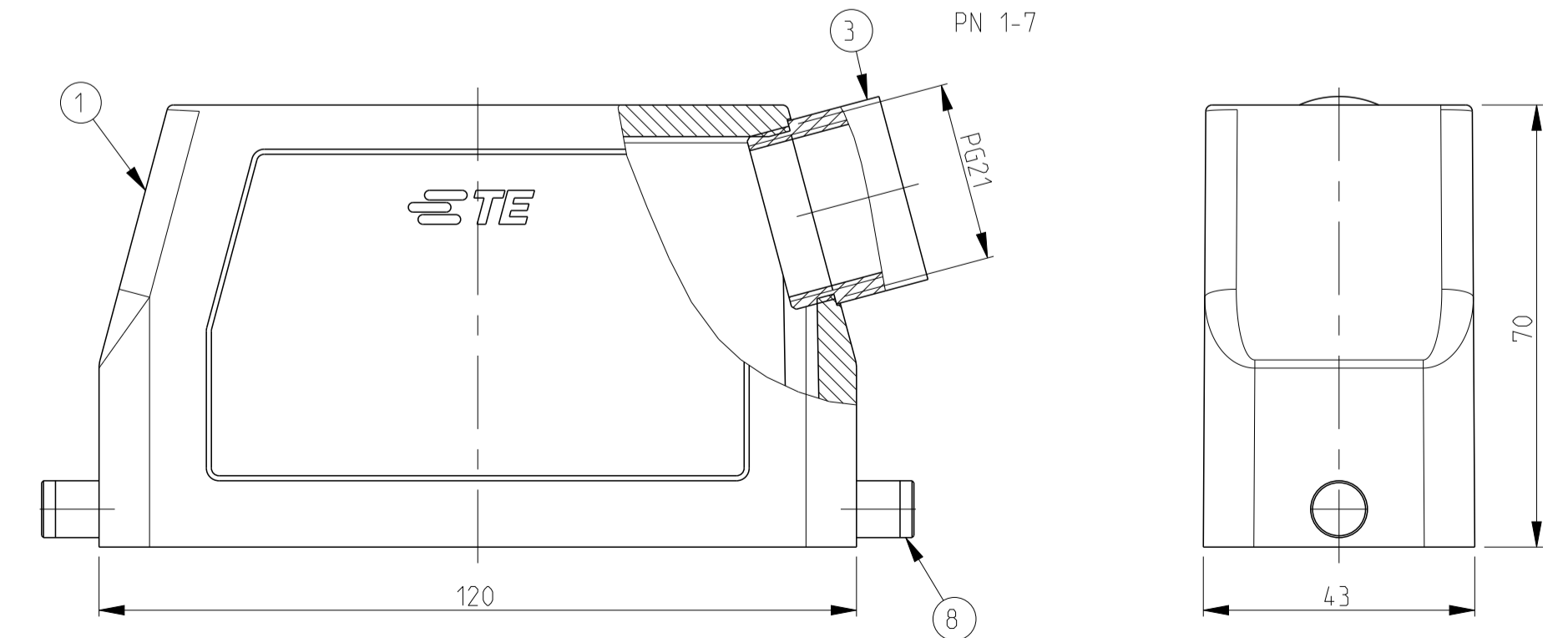
NOTES.

- 1 Material:Housing:Aluminium Diecasting Alloy
- 2 Surface:Varnish grey
- 3 Varnish on the inside not necessary
- 4 Packaging
Quantity 5 Pieces in a box

PN 1-1



PN 1-7



QTY	DESCRIPTION	MATERIAL	SURFACE	COLOR	ITEM NO	REMARKS
1	ZB-Central clip	Stainless steel	-		11	
1	ZB-Central clip	Steel	Zinc plated	Blue	10	
2	LB-Clip bolt	Stainless steel	-		9	
2	LB-Clip bolt	Steel	Zinc plated	Blue	8	
2	VS-Locking clip	Stainless steel	-		7	
2	VS-Locking clip	Steel	Zinc plated	Blue	6	
4	VS-Locking clip bolt	Stainless steel	-		5	
1	6-ki- Adapter Ppg21	Brass	Nickel plated		4	
1	Adapter ppg21	Brass	Nickel plated		3	
1	Hood HB.24.Pg.1.21	Aluminium	Aluminium oxide	Black	2	
1	Hood HB.24.Pg.1.21	Aluminium	-	Grey	1	
2-31-32-71-72-11-12-61-6	DESCRIPTION	MATERIAL	SURFACE	COLOR	ITEM NO	REMARKS
	DESCRIPTION					
	HB.24.Sts.1.21.Z					
	HB-K.24.Sts.1.21.Z					
	HB.24.Sts-VS.1.21.Z					
	HB-K.24.Sts-VS.1.21.Z					
	HB.24.Sts-GR.1.21.Z					
	HB-K.24.Sts-GR.1.21.Z					
	HB-Z.24.Sts-ZB.1.21.Z					
	HB-K/Z.24.Sts-ZB.1.21.Z					

THIS DRAWING IS A CONTROLLED DOCUMENT. DMN: Schneider 20.07.1999
 CHK: Schweiger 20.07.1999

STE TE Connectivity

NAME: Hood HB.24.STS.1.21.Z

PRODUCT SPEC: 108-74003
 108-74003

APPLICATION SPEC: 114-74001
 114-74004

SCALE: 1:1 SHEET 1 OF 1 REV: B6

CUSTOMER DRAWING