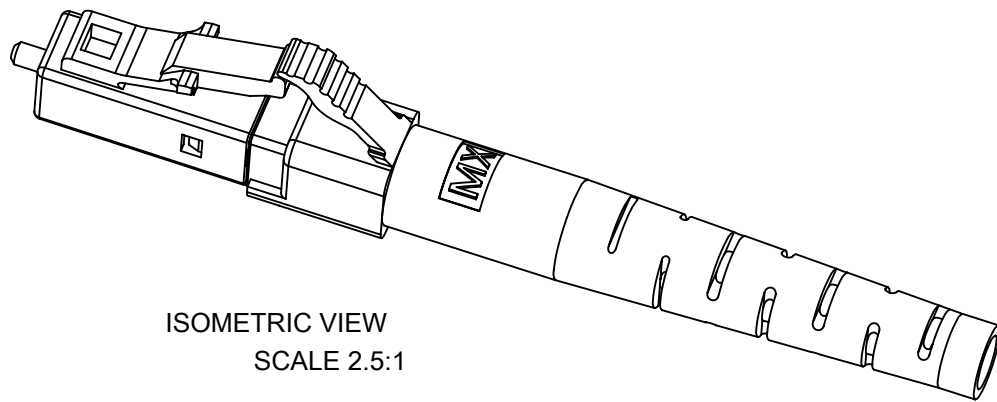
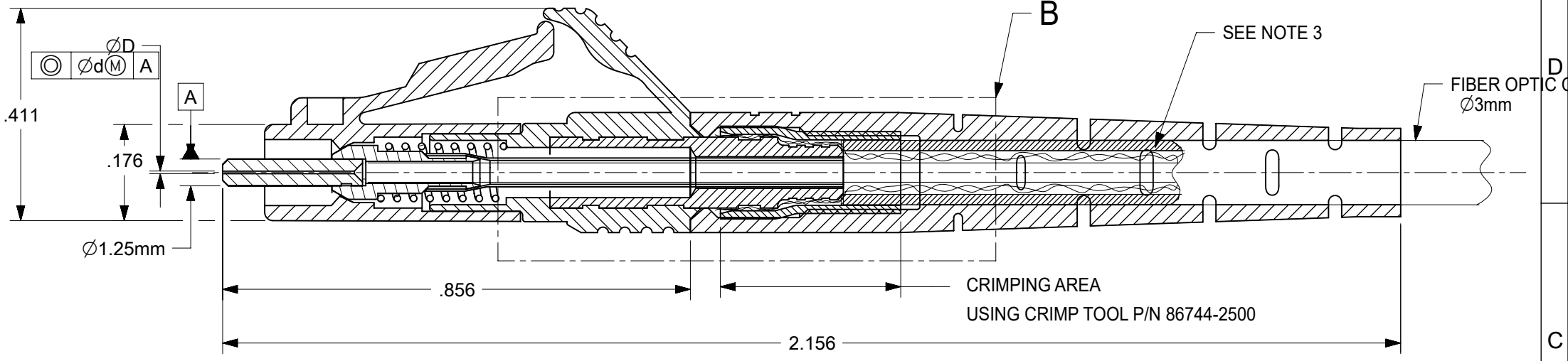
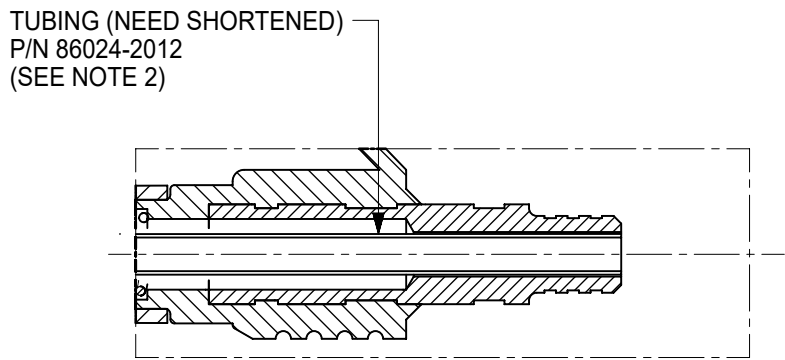
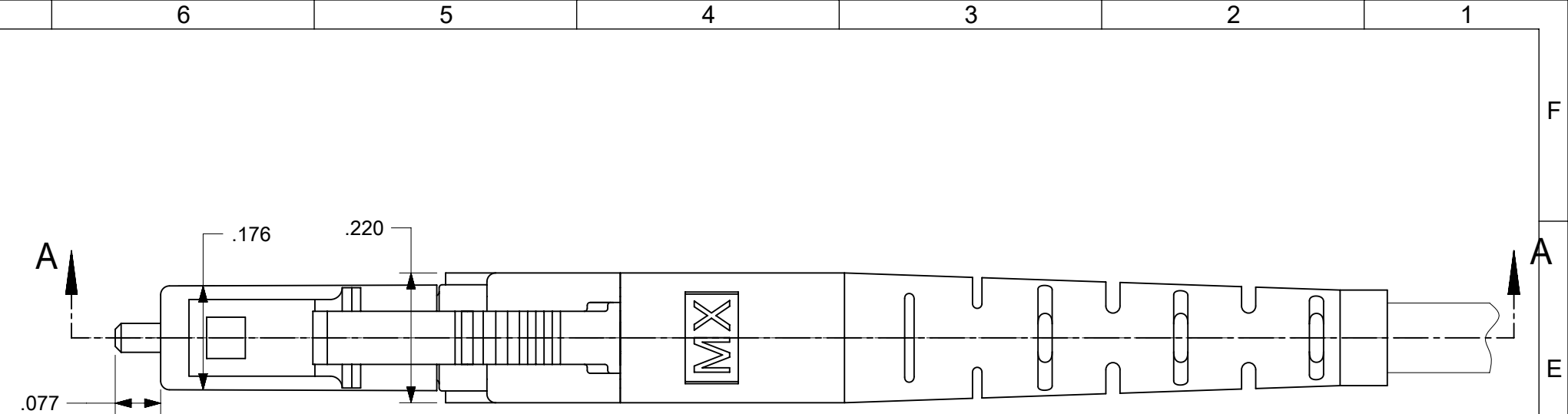


CONNECTOR P/N	ØD (µm)	Ød (µm)	FERRULE MATERIAL	CONN.BODY COLOR	CONN.Boot COLOR	CABLE TYPE
106024-2250	125.5	1	ZR	BLUE	WHITE	SINGLE MODE
106024-3250	127	3		BEIGE		MUTIMODE
106024-3260	127	1		BLUE		SINGLE MODE
106024-4250	125					
106024-5250	126					
106024-5251	126	0.5	LOW COST ZR	BEIGE	MUTIMODE	
106024-6250	125.25					
106024-2270	125.5	3	BEIGE	MUTIMODE		
106024-3259	127	1	BLUE	SINGLE MODE		



- NOTES:
1. ALL DIMENSION ARE FOR REFERENCE ONLY.
 2. DUST CAP NOT SHOWN.
 3. P/N 106024-5251 AND 106024-3260 ARE BULK PACKAED IN QUANTITY OF 100 PIECES.
 4. TUBING (SEE DETAIL B) MUST BE SHORTENED AFTER FILLING THE EPOXY ACCORDING TO THE TERMINATION PROCEDURE P/N PS-86028-2000

THIS DRAWING CONTAINS INFORMATION THAT IS PROPRIETARY TO MOLEX ELECTRONIC TECHNOLOGIES, LLC AND SHOULD NOT BE USED WITHOUT WRITTEN PERMISSION

DIMENSION UNITS	SCALE	CURRENT REV DESC:		molex		
INCH	4:1					
GENERAL TOLERANCES (UNLESS SPECIFIED)		EC NO: 695254		LC CONNECTOR 3MM CABLE APPLICATION		
ANGULAR TOL	± 0.5°	DRWN: JHUANG18 2022/02/16		PRODUCT CUSTOMER DRAWING		
4 PLACES	±	CHKD: IGUMIN 2022/04/29		DOCUMENT NUMBER		
3 PLACES	±	APPR: IGUMIN 2022/04/29		SD-106024-X250		
2 PLACES	±	INITIAL REVISION:		DOC TYPE	DOC PART	REVISION
1 PLACE	±	DRWN: PGIBLIN 2006/02/07		PSD	001	B2
0 PLACES	±	APPR: IGUMIN 2006/02/07		SHEET NUMBER		
DRAFT WHERE APPLICABLE MUST REMAIN WITHIN DIMENSIONS		THIRD ANGLE PROJECTION	DRAWING	SERIES	MATERIAL NUMBER	CUSTOMER
			B-SIZE	106024	SEE TABLE	GENERAL MARKET
						1 OF 1