

Series **D xx S 24A 6 xx 12 LF**

Number of contacts
09 , 15 , 25

Contacts
S : Socket

Plating
6 = 500 Mating / Unmating Mini

Packaging specification
Tape & Reel

See Note RoHS

Termination

Code	Type	Foot Print/Pitch	Length of termination	PCB thickness
24A	Straight version	6 / 2.84mm	2	1.6

Mounting Options

RL	Insert M3
RV	Female Screw UNC 4-40
RX	Insert UNC 4-40

NOTE RoHS INFORMATION

- The "LF" product meet european union Directives and other country regulations asdescribed in GS-22-008.
- The housing will withstand exposure to 260° peak temperature for 30 seconds in a convection , infra-red or vapor reflow oven. See application notes/procedures if are available.
- Termination plating spec:1.27µ Nickel mini,2.5 to 7.5µ Sn(pure mate)
- Shell plating : Nickel bright
- Accessories : Sn pure bright
- Packaging spec ; See GS-14-920

Product Specification

see : GS-12-372

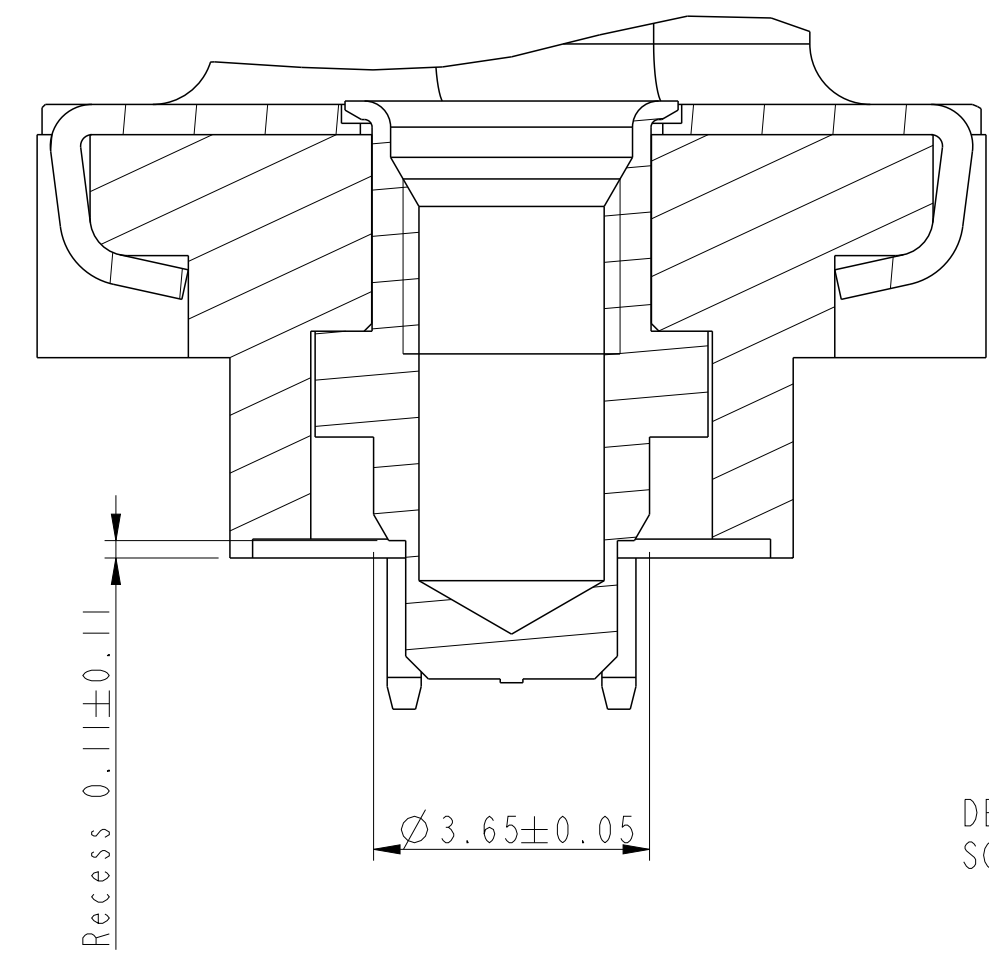
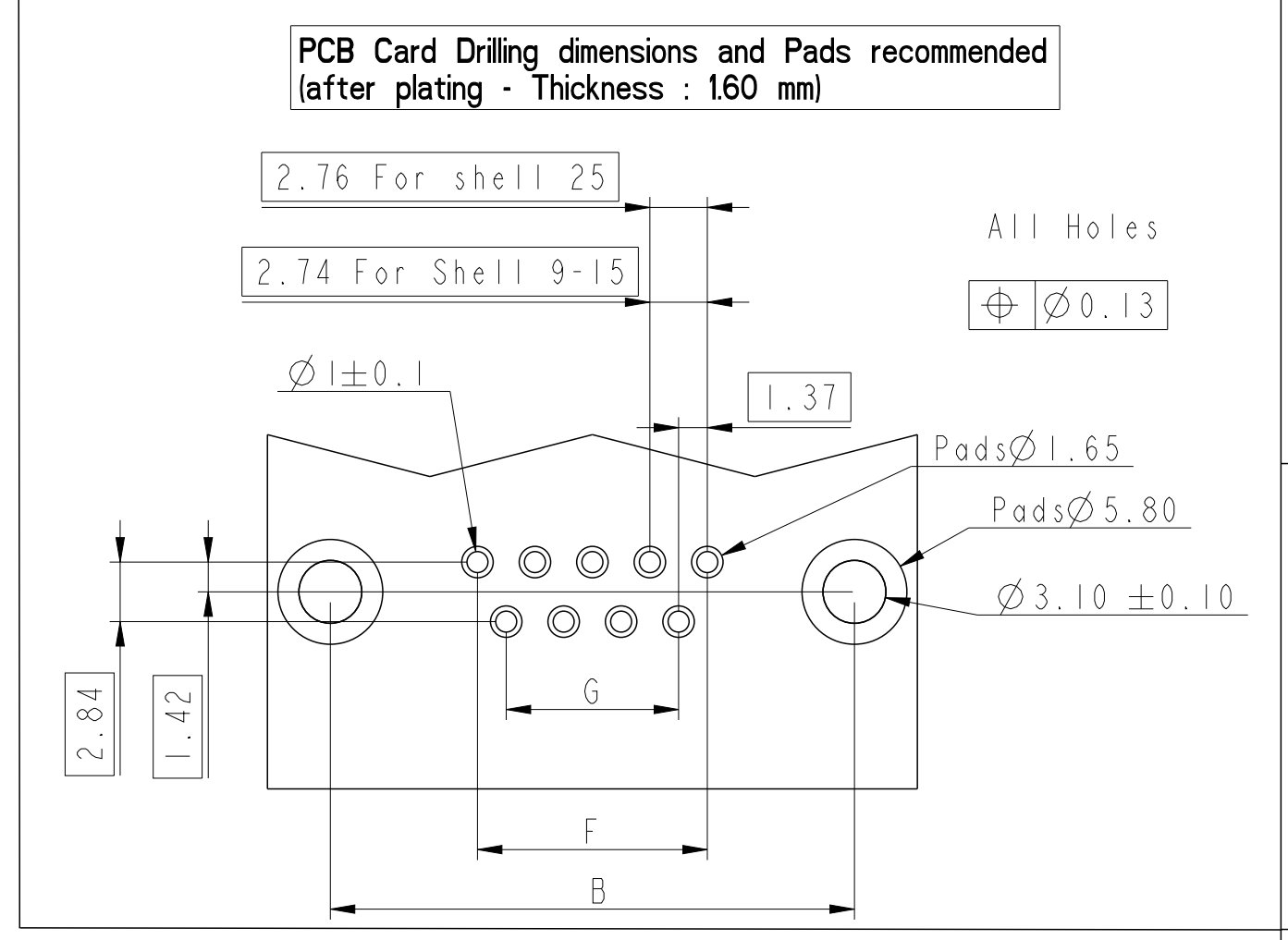
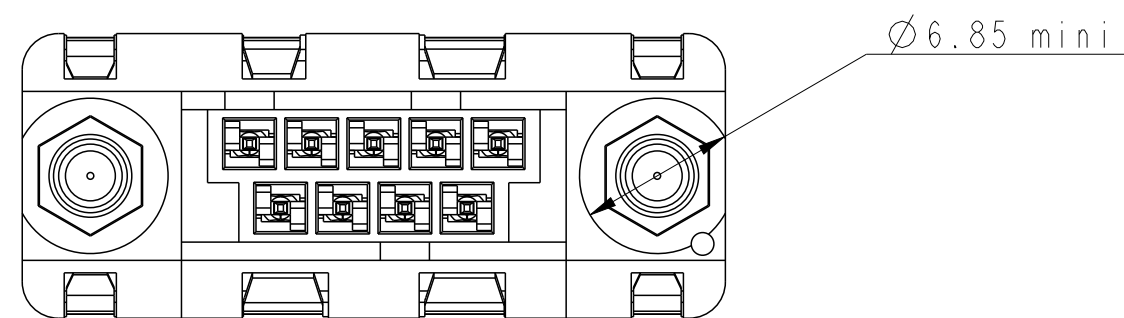
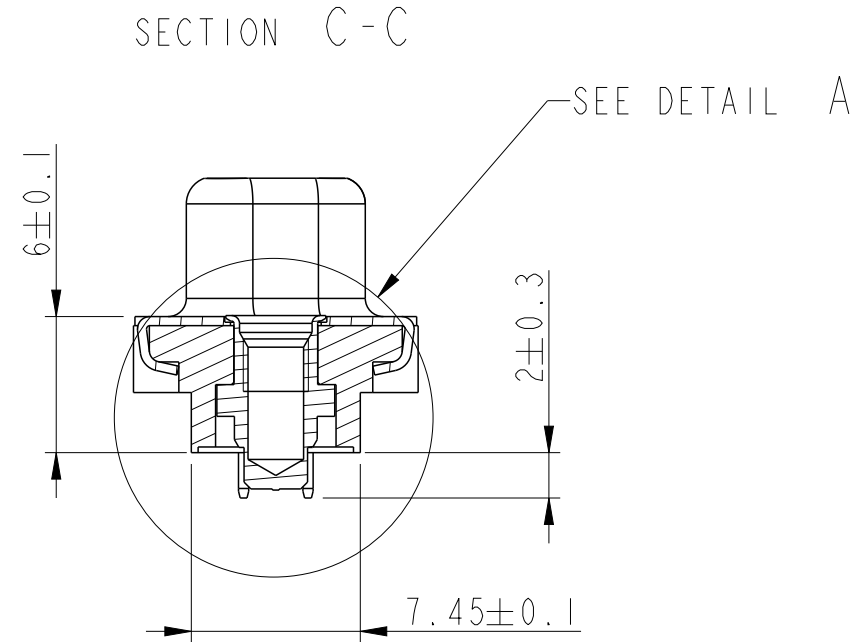
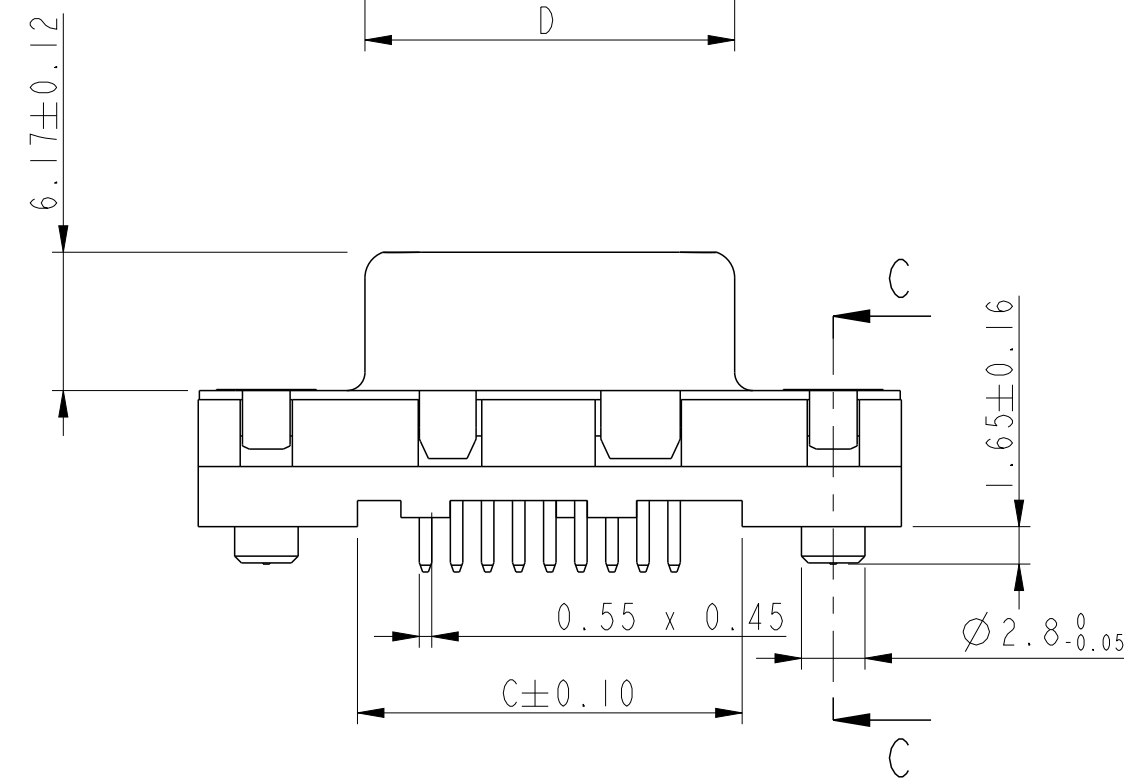
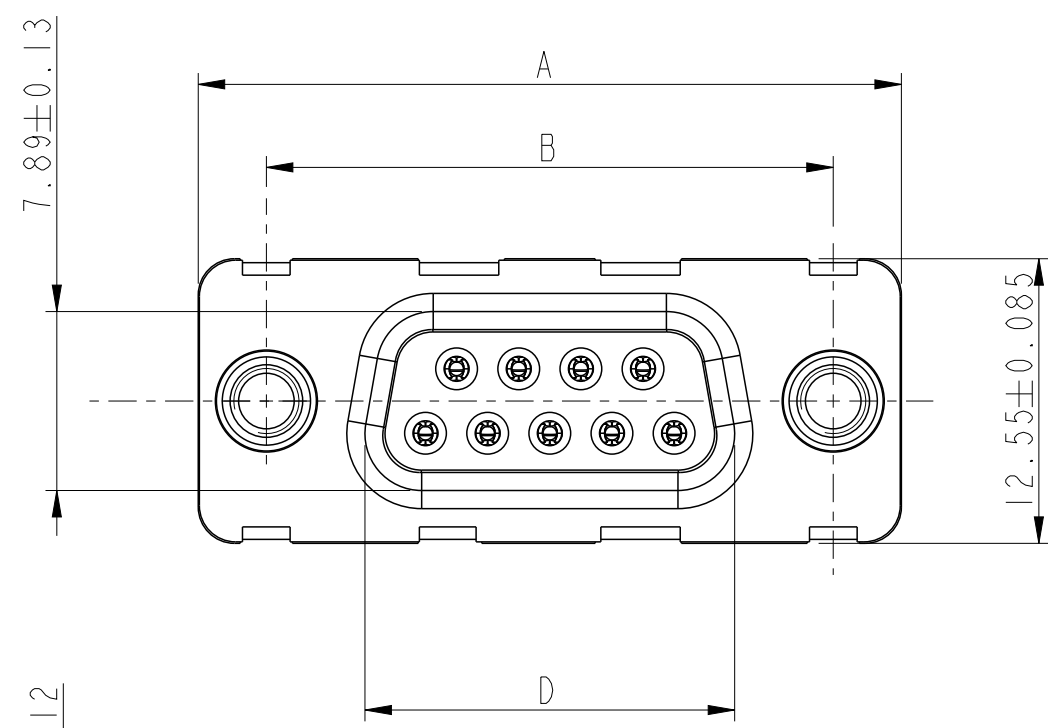
Packaging Specification

See GS-14-1054

www.fciconnect.com		surface - ✓ ISO 1302	tolerance std ISO 406 ISO 1101	projection mm
TOLERANCES UNLESS OTHERWISE SPECIFIED				
Dr	P. CRON	02/02/06	ANGULAR	0.X ±0.3
Eng	H. LEGALLIC	02/02/06	LINEAR	0.XX ±0.1
Chr	NIRMAL G	2010-10-14	0° ±2°	0.XXX ±0.05
Appr	SUDHIR V	2010-10-14	Product family	ECN 110-0197
Title				Spec ref
SUB DELTA D PIP FEMALE H=2				size A3
straight for tape and reel packaging				Scale 3:1
catalog no				ECN 110-0197
SEE TABLE				ECN 110-0197
CUSTOMER COPY				Rev. G
sheet 1 of 2				

ltr	ecn no	dr	date
A	-	HL	02/02/06
B	LS06-0040	PC	23/03/06
C	LS06-0105	HLE	25/07/06
D	LS06-0220	PCR	2006/12/21
E	LS07-0050	HLE	2007/03/02
F	110-0120	NG	2010-05-27
G	110-0197	NG	2010-10-14

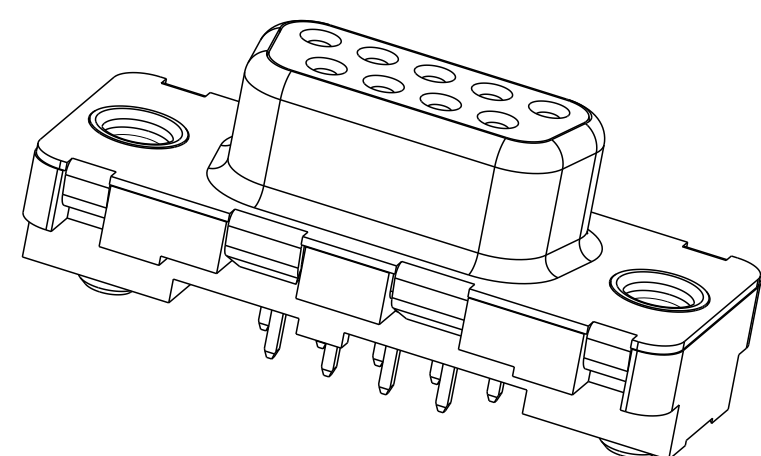




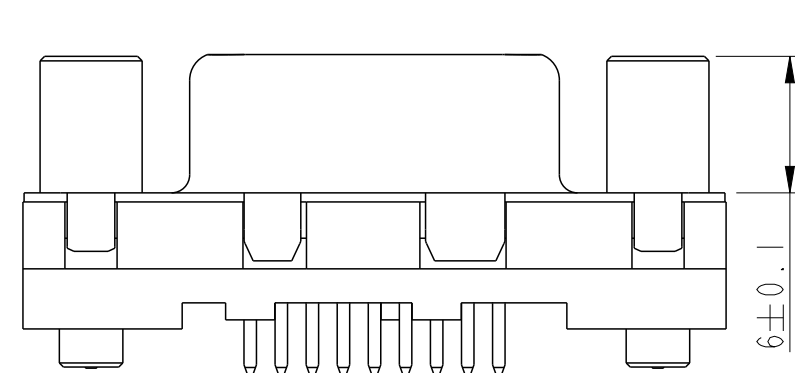
DETAIL A
SCALE 10:1

TRUE POSITIONING : $\text{Ø} 0.36$

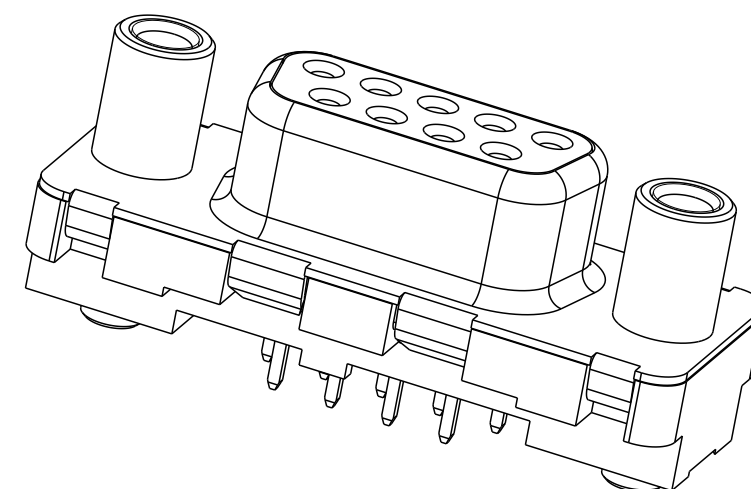
Accessories details



TYPE RX / RL



TYPE RV



SHELL	P/N LEAD FREE	A ±0.38	B ±0.10	C ±0.10	D +0.25 0	F	G
09	D09S24A6xx12LF	30.81	24.99	16.96	16.21	10.96	8.22
15	D15S24A6xx12LF	39.14	33.32	25.18	24.54	19.18	16.44
25	D25S24A6xx12LF	53.03	47.04	39.12	38.25	33.12	30.36

www.fciconnect.com		surface <input checked="" type="checkbox"/> ISO 1302	tolerance std ISO 406 ISO 1101	projection Ø	mm
TOLERANCES UNLESS OTHERWISE SPECIFIED					
Dr P. CRON	02/02/06	ANGULAR	0.x ±0.3	size A2	Scale 3:1
Eng H. LEGALLIC	02/02/06	LINEAR	0.xx ±0.1		
Chr NIRMAL G	2010-10-14	0° ±2°	0.xxx ±0.05	ECN 110-0197	
Appr SUDHIR V	2010-10-14	Product family		Spec ref	
FCJ		SUB DELTA D PIP FEMALE H=2		Rev. G	
straight for tape and reel packaging		C01-8646-0877		sheet 2 of 2	
catalog no		SEE TABLE		CUSTOMER COPY	