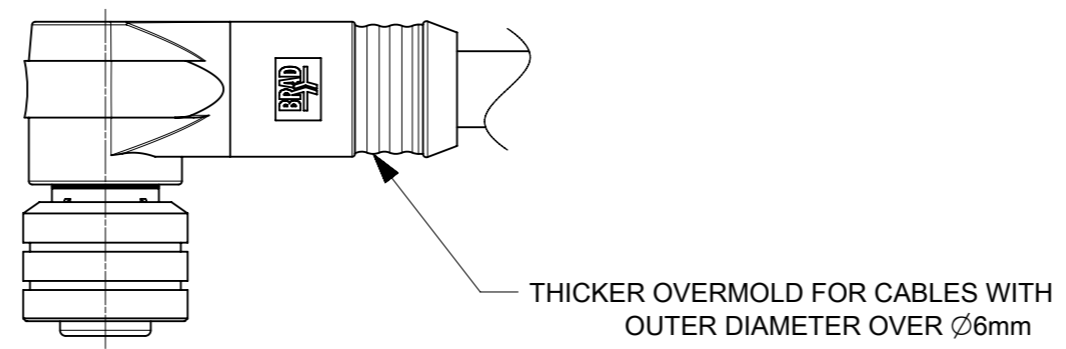
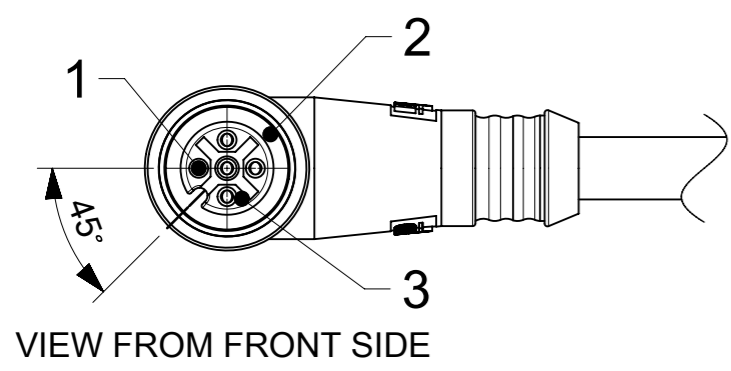
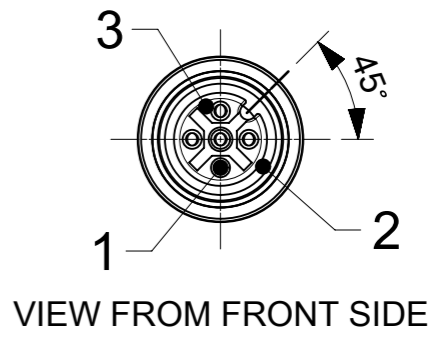
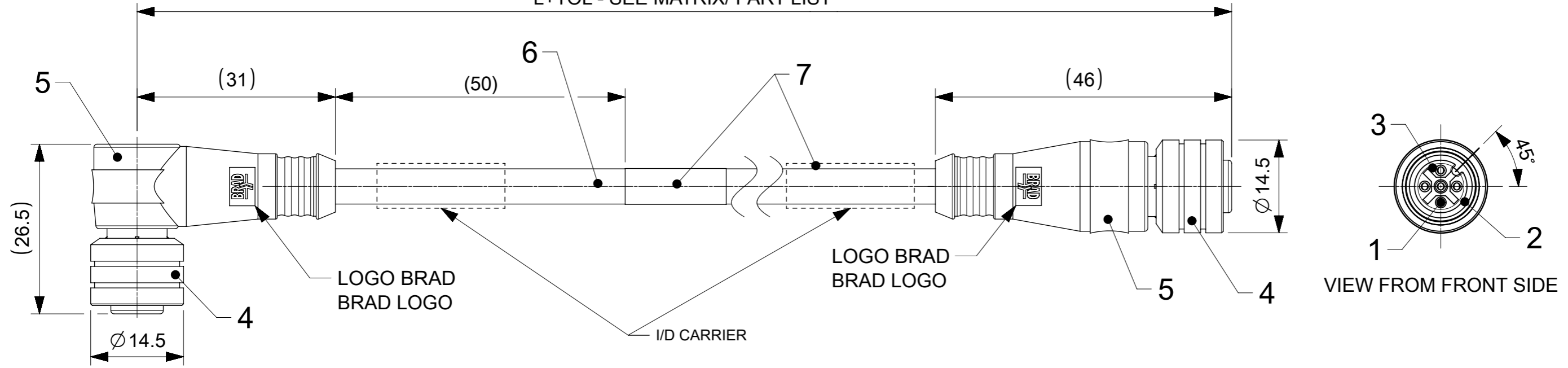


L+TOL - SEE MATRIX/ PART LIST



- NOTES :
- RATED VOLTAGE: 3, 4 contacts 250V
5 contacts 60V
8 contacts 30V
 - RATED CURRENT: 3, 4, 5 contacts 4A
8 contacts 2A
 - PROTECTION CLASS: IP 67
 - TEMPERATURE: -25°C / +85°C
 - INSULATION RESISTANCE : 10⁸ Ω min

VIEWS FROM THE FRONT SIDE

3 POLE		4 POLE		5 POLE		8 POLE	
PIN	COLOR	PIN	COLOR	PIN	COLOR	PIN	COLOR
1	BN	1	BN	1	BN	1	WH
2	---	2	WH	2	WH	2	BN
3	BU	3	BU	3	BU	3	GN
4	BK	4	BK	4	BK	4	YE
				5	GY or GN-YE	5	GY
						6	PK
						7	BU
						8	RD

BOM

ITEM	QTY.	DESCRIPTION	MATERIAL	FINISH/COLOR
7	1	LABEL	VINYL	YELLOW
-	-	PRINTING FOR CABLES lxx	---	---
6	-	CABLE	SEE SHEET 2	SEE SHEET 2
5	-	OVERMOULDING	TPU	BLACK
4	2	COUPLING NUT FEMALE	BRASS	NICKEL
3	2	INSERT FEMALE	PUR	BLACK
2	2	O-RING	FPM	RED
1	4	CONTACT FEMALE	BRASS	SELECTIVE Au OVER Ni

THIS DRAWING CONTAINS INFORMATION THAT IS PROPRIETARY TO MOLEX ELECTRONIC TECHNOLOGIES, LLC AND SHOULD NOT BE USED WITHOUT WRITTEN PERMISSION

DIMENSION UNITS: mm SCALE: 1.5:1

GENERAL TOLERANCES (UNLESS SPECIFIED): ANGULAR TOL ± 1.0°

4 PLACES ± 0.15
3 PLACES ± 0.10
2 PLACES ± 0.05
1 PLACE ± 0.3
0 PLACES ± 0.5

DRAFT WHERE APPLICABLE MUST REMAIN WITHIN DIMENSIONS

THIRD ANGLE PROJECTION

DRAWING: A3-SIZE

SERIES: 120066

MATERIAL NUMBER: SEE SHEET 2

CUSTOMER: GENERAL MARKET

SHEET NUMBER: 1 OF 2

CURRENT REV DESC: INITIAL RELEASE

EC NO: 622690
DRWN: SSM 2019/06/10
CHK'D: RSILLER 2019/08/21
APPR: RSILLER 2019/08/21

INITIAL REVISION:
DRWN: SSM 2019/06/10
APPR: RSILLER 2019/08/21

molex

CSE 4P 4W FE RA FE STR XMLS0

PRODUCT CUSTOMER DRAWING

DOCUMENT NUMBER: 1200668482
DOC TYPE: PSD
DOC PART: 000
REVISION: A

ENGINEERING MATRIX

8 8 X 0 1 1 X X X X X X X X X

OPTIONAL

88=Micro-Change
M12x1
Double ended

Poles:
3=3
4=4
5=5
8=8

Heads style:
011=Plug Female 90° to
Female Straight

Cable type: See table

Units : Meter

Length
examples:
005=0.5
010=1
100=10

Overmold color:
Blank=BK TPU
Blank=YE for cables A09, S19, S20, S26
Blank=YE TPE-E for cables K03, K05
A=GY | G= BK | Y= YE

Coupling Nut:
Blank (Standard)=Knurled Brass Ni Plated
1=Hexagonal Stainless steel

H= 2pcs. of I/D Carrier

Cables lxx & P82 always with 2 pcs. of
I/D Carrier even if no H in Engineering No.

CABLE INFORMATION

CABLE TYPE	NO. OF WIRES	CROSS SECTION	CABLE JACKET	UL	CSA	STATIC: TEMP. / BENDING RADIUS	DYNAMIC: TEMP. / BENDING RADIUS	DRAG CHAIN	SHIELD
I03	3 / 4 / 5	0.34mm ²	PVC CEI GREY	-	-	-30°C to +70°C	-5°C to +70°C	-	-
I20	3 / 4	0.34mm ²	PVC CEI GREY	-	-	-30°C to +70°C	-5°C to +70°C	-	YES
I26	5	0.34mm ²	PVC CEI GREY	-	-	-30°C to +70°C	-5°C to +70°C	-	YES
K03	4	18AWG	TPE YELLOW	UL ITC or PLC	I/II A/B 90°C/300V	max 105°C	-	-	-
K05	3 / 4 / 5	22AWG	TPE YELLOW	UL ITC or PLC	I/II A/B 90°C/300V	max 105°C	-	-	-
P82	3 / 4 / 5	0.34mm ²	PUR IRR ORANGE	-	-	-50°C to +105°C, >5xO.D.	-40°C to +105°C, >7.5xO.D.	-	-
S20	3 / 4 / 5	0.34mm ²	PVC YELLOW	UL 2661/1731	C22.2 II A 105°C/300V	-30°C to +105°C	-	-	YES
E02	3 / 4 / 5 / 8	0.25mm ²	PVC BLACK	UL 2464/1729	C22.2 I/II A/B 80°C/300V	-30°C to +80°C, 10xO.D.	-10°C to +80°C, 15xO.D.	-	-
E03	3 / 4 / 5	0.34mm ²	PVC BLACK	UL 2464/1729	C22.2 I/II A/B 80°C/300V	-30°C to +80°C, 10xO.D.	-10°C to +80°C, 15xO.D.	-	-
H09	3 / 4 / 5	0.34mm ²	PUR BLACK LS0H	UL 21198/10493	C22.2 I/II A/B 80°C/300V	-40°C to +80°C, 5xO.D.	-25°C to +80°C, 10xO.D.	2 000 000 cycles at 20°C, Temp. range +5°C to +60°C	-
P03	3 / 4 / 5	0.34mm ²	PUR / PVC BLACK	-	-	-30°C to +80°C, >7xO.D.	-5°C to +80°C, >15xO.D.	-	-

CABLE LENGTH TOLERANCES

OVER	UP TO AND INCLUDING	TOLERANCES
0	305mm	+19mm
305mm	915mm	+45mm
915mm	1830mm	+56mm
1830mm	3660mm	+89mm
3660mm	7320mm	+165mm
7320mm	14640mm	+317mm
14640mm	30500mm	+610mm
30500mm	>	+2% of finished length

THIS DRAWING CONTAINS INFORMATION THAT IS PROPRIETARY TO MOLEX ELECTRONIC TECHNOLOGIES, LLC AND SHOULD NOT BE USED WITHOUT WRITTEN PERMISSION		CURRENT REV DESC: INITIAL RELEASE		molex		
DIMENSION UNITS	SCALE	EC NO: 622690				
mm	1:1	DRWN: SSM 2019/06/10		CSE 4P 4W FE RA FE STR XMLS0		
GENERAL TOLERANCES (UNLESS SPECIFIED)		CHK'D: RSILLER 2019/08/21				
ANGULAR TOL	± 1.0°	APPR: RSILLER 2019/08/21		PRODUCT CUSTOMER DRAWING		
4 PLACES	±	INITIAL REVISION:				
3 PLACES	±	DRWN: SSM 2019/06/10		DOCUMENT NUMBER		
2 PLACES	± 0.05	APPR: RSILLER 2019/08/21				1200668482
1 PLACE	± 0.3	MATERIAL NUMBER		PSD 000 A		
0 PLACES	± 0.5	CUSTOMER				GENERAL MARKET
DRAFT WHERE APPLICABLE MUST REMAIN WITHIN DIMENSIONS		THIRD ANGLE PROJECTION	DRAWING	SERIES	SHEET NUMBER	
			A3-SIZE	120066	2 OF 2	

PART LIST

MOLEX PN	ENGINEERING No	LENGTH [mm]
1200072484	884011P03M1501	15000
1200668482	884011H09M008	800

DOCUMENT STATUS	P1	RELEASE DATE	2018/10/22	12:08:09
-----------------	----	--------------	------------	----------