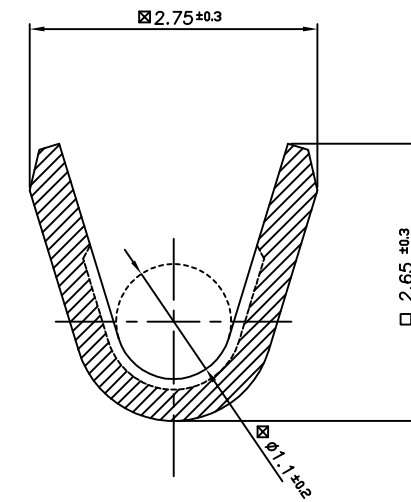
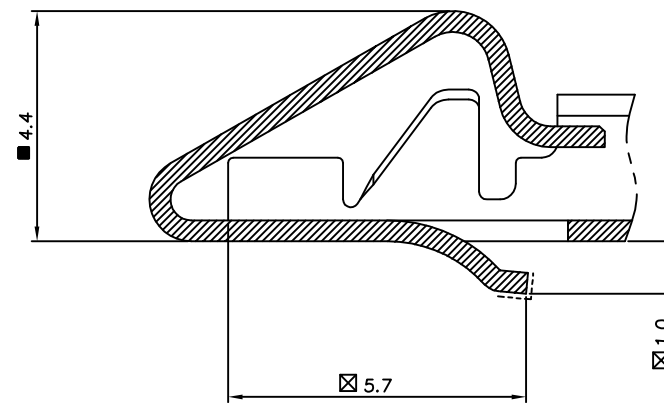
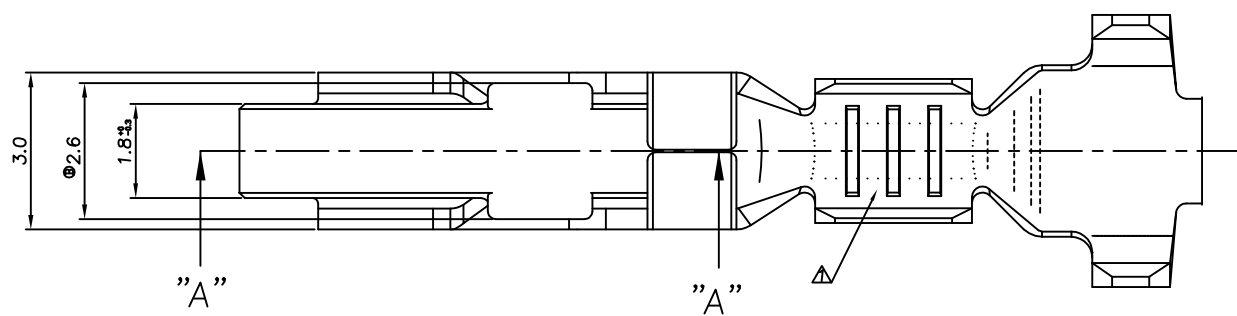
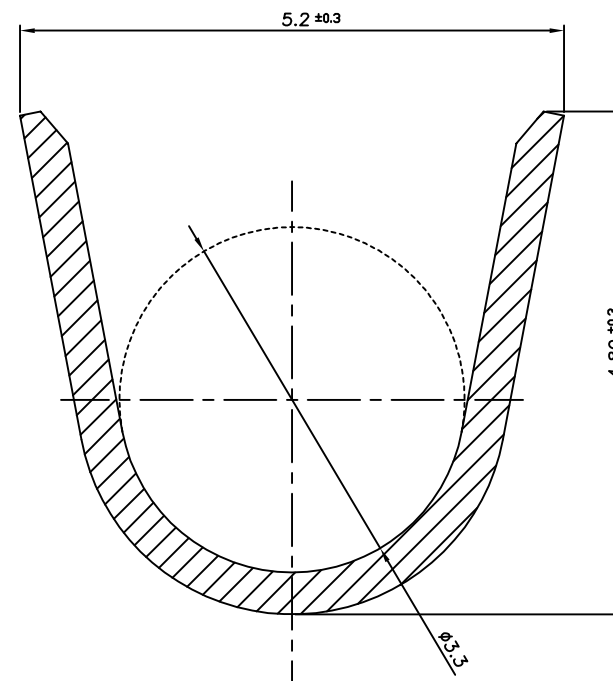
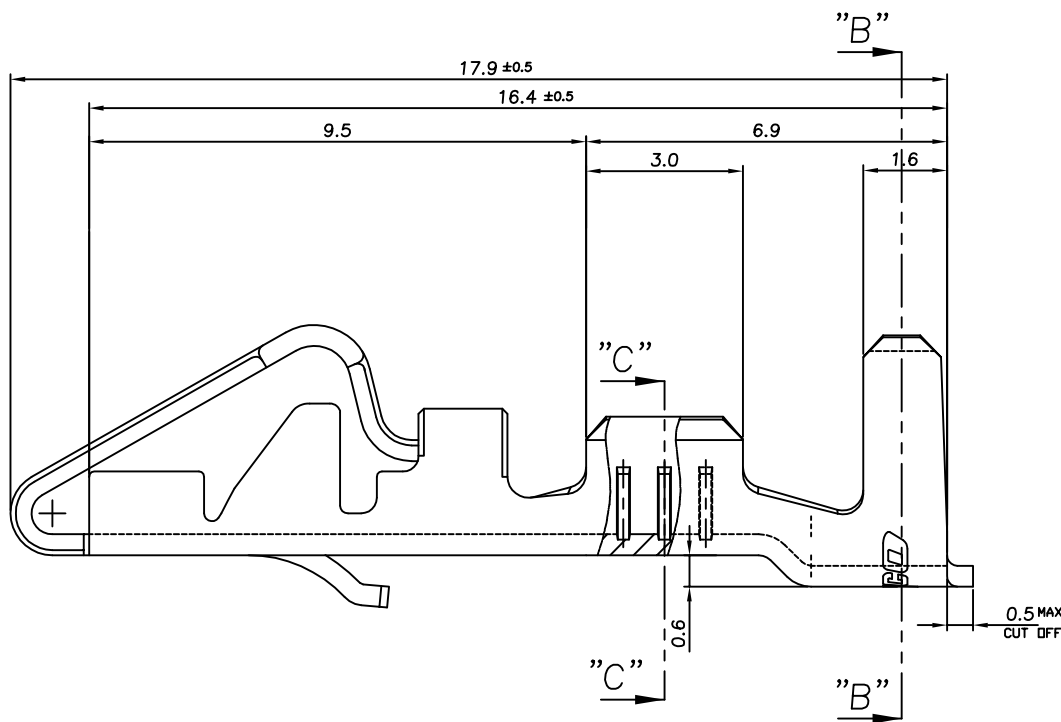


THIS DRAWING IS UNPUBLISHED. RELEASED FOR PUBLICATION. ALL RIGHTS RESERVED. © COPYRIGHT

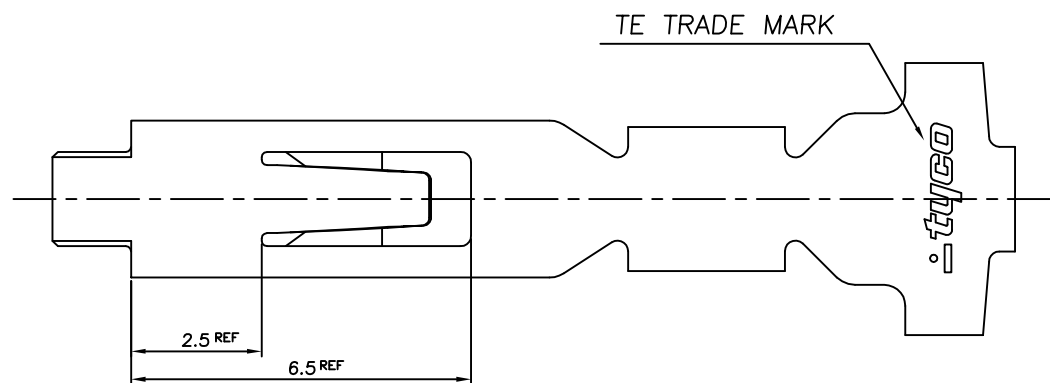
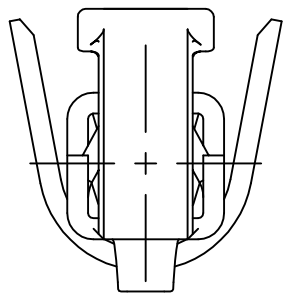
LOC		DIST		REVISIONS			
P	LTR	DESCRIPTION	DATE	DWN	APVD		
A		RELEASED	24.JAN.'08	IS	JK		
B		REVISED	11.MAR.'08	IS	HG		



SECTION "C-C"
Scale 20/1



SECTION "B-B"
Scale 20/1



* NOTES

△ THREE SERRATIONS CENTERED IN WIRE BARREL.
2 WIRE SIZE EQUIV AVS 0.5~ AVS 0.85 Sqmm.

PRE-TINNED	Cu Alloy	0.40THK.	1897369-1
FINISH	MATERIAL		PART NUMBER

<small>THIS DRAWING IS A CONTROLLED DOCUMENT FOR TYCO ELECTRONICS CORPORATION. IT IS SUBJECT TO CHANGE AND THE CONTROLLING ENGINEERING ORGANIZATION SHOULD BE CONTACTED FOR THE LATEST REVISIONS.</small>		DWN IS VOID	TE Connectivity		
DIMENSIONS: MM 		CHK YM CHDI			
TOLERANCES UNLESS OTHERWISE SPECIFIED:		APVD HG CHD	NAME		
Ø PLG ± 1 PLG ± 2 PLG ± ±0.3 3 PLG ± 4 PLG ± ANGLES ± 2° FINISH -		PRODUCT SPEC -	RECEPTACLE FOR T-20 BULB ASS'Y		
MATERIAL -		APPLICATION SPEC -	SIZE	CAGE CODE	DRAWING NO
		WEIGHT -	A200779	C=1897369	RESTRICTED TO
		CUSTOMER DRAWING	SCALE 10/1	SHEET 1 OF 1	REV B