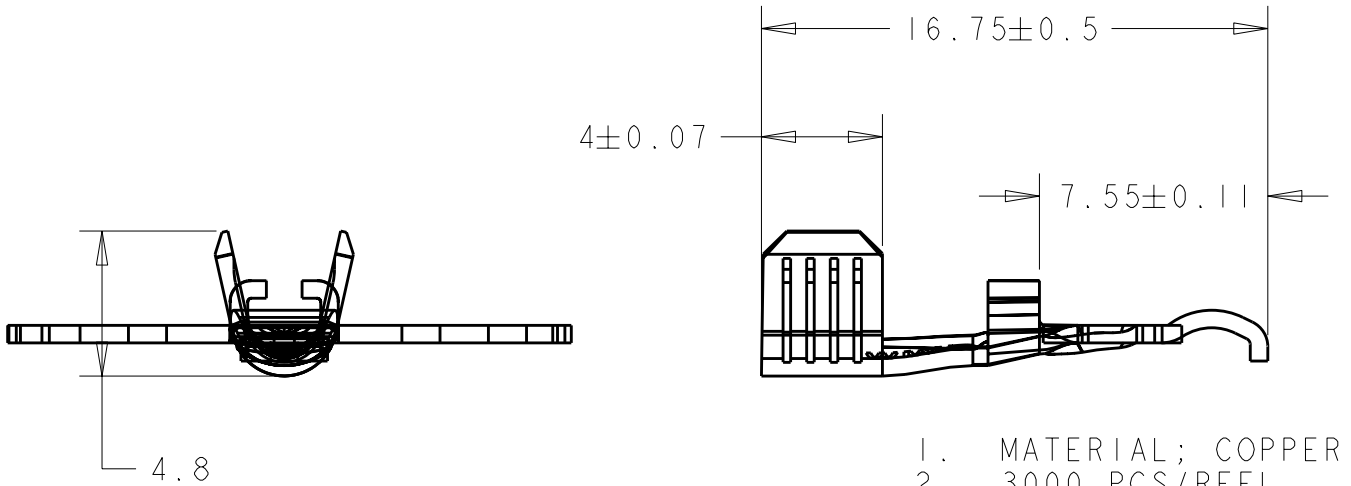


| LOC | | DIST | | REVISIONS | | | |
|-----|-----|-------------|--|--------------------------------------|-----------|-------|--|
| P | LTR | DESCRIPTION | | DATE | DWN | APVD | |
| CM | 0 | | | | | | |
| | | 2 | | ADDED -2, REVISED NOTE 1 | 06FEEB03 | BH RW | |
| | | 3 | | REVISED, ADDED DIMS AND TESTING NOTE | 10-2-03 | GD RW | |
| | | A | | ECO-08-008100 | 01APR2008 | KW SR | |

THIS PRODUCT HAS PASSED VERIFICATION AND AGENCY APPROVALS TESTING AND IS COMPONENT RECOGNIZED PER UL 1977 AND CSA 22.2. TYCO ELECTRONICS PRODUCT QUALIFICATION TESTING IS NOT YET COMPLETE.



1. MATERIAL; COPPER
2. 3000 PCS/REEL

METRIC

| | |
|--------|-------------|
| TIN | 1604112-2 |
| SILVER | 1604112-1 |
| FINISH | PART NUMBER |

| | | | |
|--|---------------------------------------|---|--------------------|
| DIMENSIONS: mm | DWN B. HAYMAKER 11 APR 2002 | MATERIAL - | FINISH - |
| | CHK K. KETELSLEGER 11 APR 2002 | Tyco Electronics Harrisburg, PA 17105-3608 | |
| TOLERANCES UNLESS OTHERWISE SPECIFIED: | APVD K. KETELSLEGER 11 APR 2002 | | |
| 0 PLC ±0.13 | PRODUCT SPEC - | SIZE A 4 | CAGE CODE 00779 |
| 1 PLC ±0.13 | APPLICATION SPEC - | DRAWING NO C-1604112 | RESTRICTED TO - |
| 2 PLC ±0.13 | WEIGHT - | CUSTOMER DRAWING | |
| 3 PLC ±0.13 | | SCALE 4:1 | SHEET 1 |
| 4 PLC ±- | | | OF 1 |
| ANGLES ±30' | | | REV A |