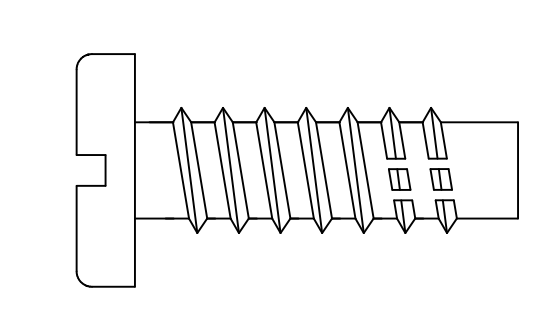
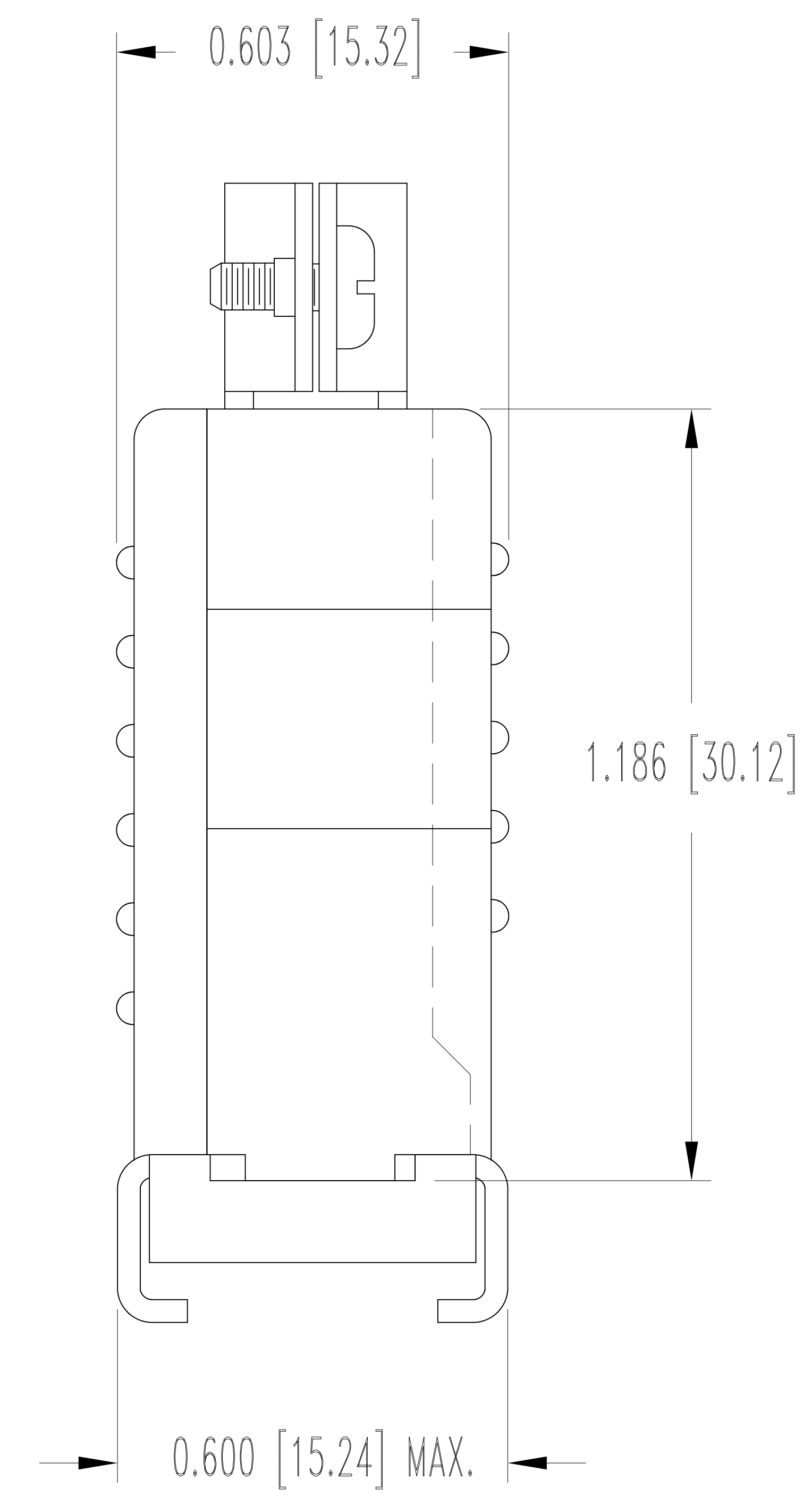
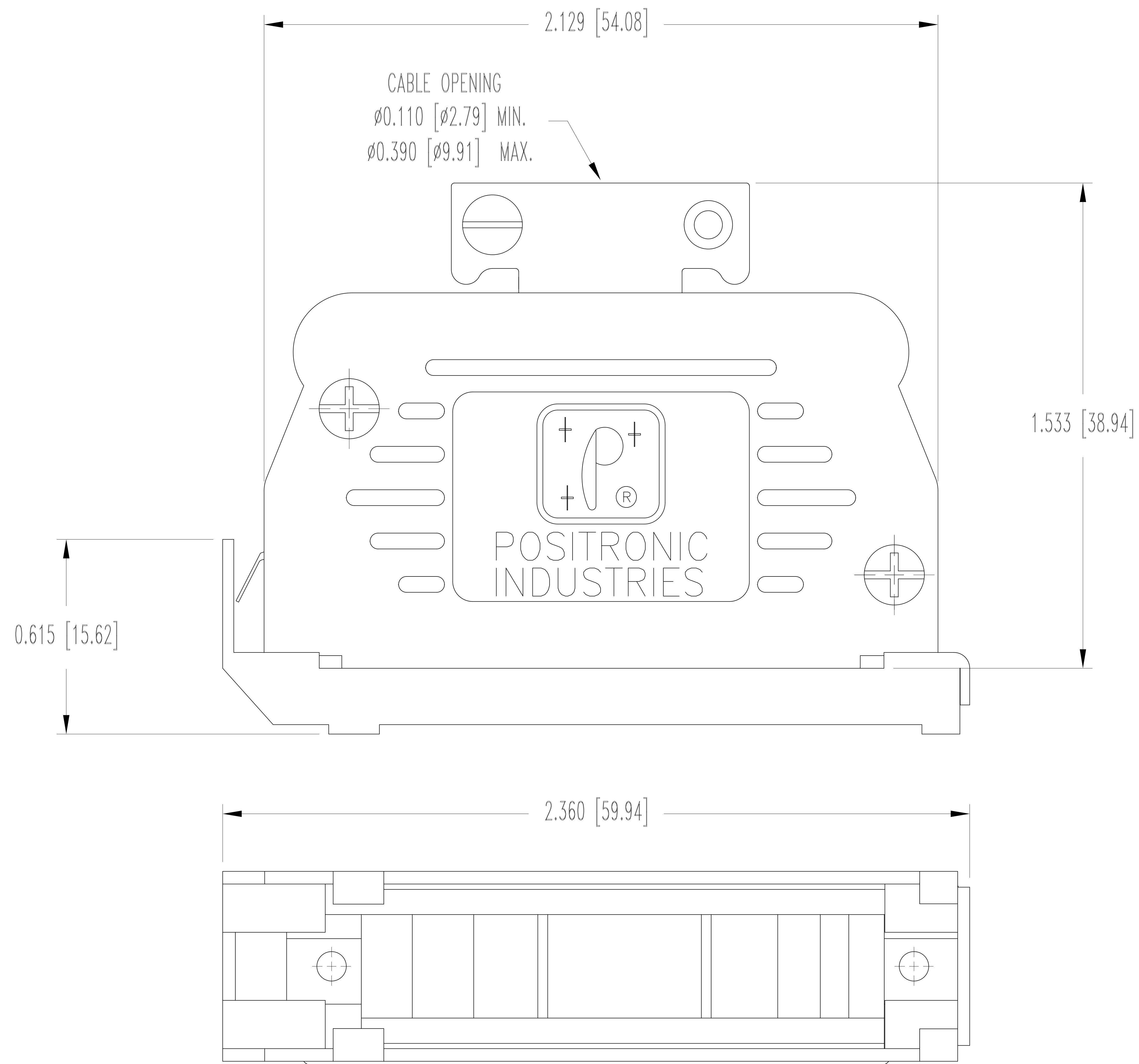


THIS DRAWING CONTAINS INFORMATION PROPRIETARY TO POSITRONIC AND IT'S SUBSIDIARIES. POSITRONIC BELIEVES THE DATA ON THIS DRAWING TO BE RELIABLE, SINCE THE TECHNICAL INFORMATION IS GIVEN FREE OF CHARGE, THE USER EMPLOYS SUCH INFORMATION AT HIS OWN DISCRETION AND RISK. POSITRONIC ASSUMES NO RESPONSIBILITY FOR RESULTS OBTAINED OR DAMAGES INCURRED FROM USE OF SUCH INFORMATION IN WHOLE OR IN PART.

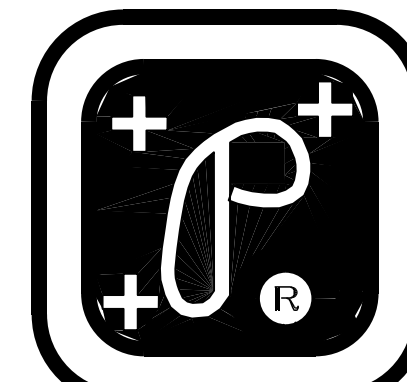
DATE	REV	REVISION RECORD	APP	DR	CK
08-08 19	A	ECO 68767	RK	PY	ND



2X CONNECTOR MOUNTING SCREW

NOTES:

- MATERIALS AND FINISHES:  
 HOOD: GLASS FILLED POLYESTER, UL 94V-0, COLOR: BLACK.  
 LOCK LEVER: STEEL, NICKEL PLATE.  
 CABLE CLAMPS: STEEL, NICKEL PLATE.  
 CABLE CLAMP SCREWS: STEEL, ZINC PLATE WITH DICHROMATE SEAL.  
 COVER SCREWS: STEEL, ZINC PLATE WITH DICHROMATE SEAL.  
 LOCK LEVER SCREWS: BRASS, ZINC PLATE WITH DICHROMATE SEAL.  
 MOUNTING SCREWS: STEEL, ZINC PLATE WITH BLUE CHROMATE SEAL..
- DETAILED PRODUCT, ELECTRICAL, AND MECHANICAL INFORMATION IS AVAILABLE IN THE LATEST D-SUBMINIATURE ACCESSORIES PRODUCT PUBLICATION AT [CONNECTPOSITRONIC.COM](http://CONNECTPOSITRONIC.COM).
- DIMENSIONS ARE IN INCHES [MILLIMETERS].

	<b>POSITRONIC INDUSTRIES INC.</b> SPRINGFIELD, MISSOURI 65801		SCALE	DRAWN BY
	D HOOD		N.T.S.	YK
DECIMAL TOL. $\pm 0.015$ [0.38]	TITLE		APPROVED BY	
	D25000JVLO			
ANGULAR TOL. $\pm 5^\circ$	DATE	DRAWING NUMBER	REV.	
	9-30-04	SK5698	A	