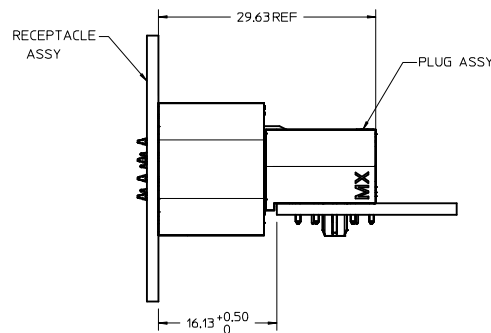
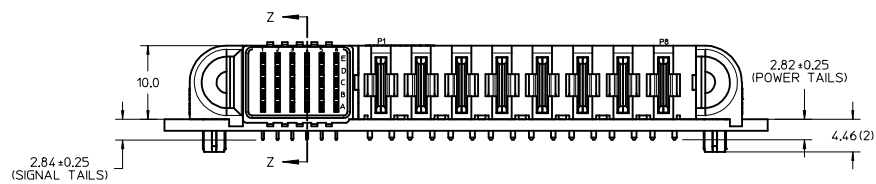
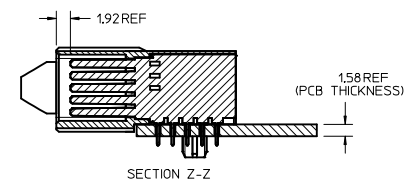


RECOMMENDED PCB LAYOUT AND KEEP-OUT ZONE

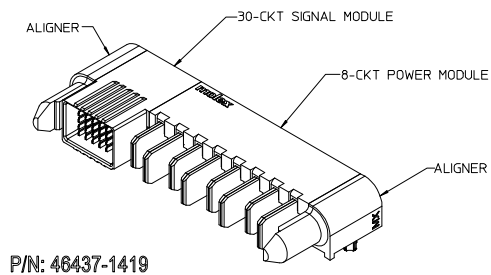


MATED PROFILE



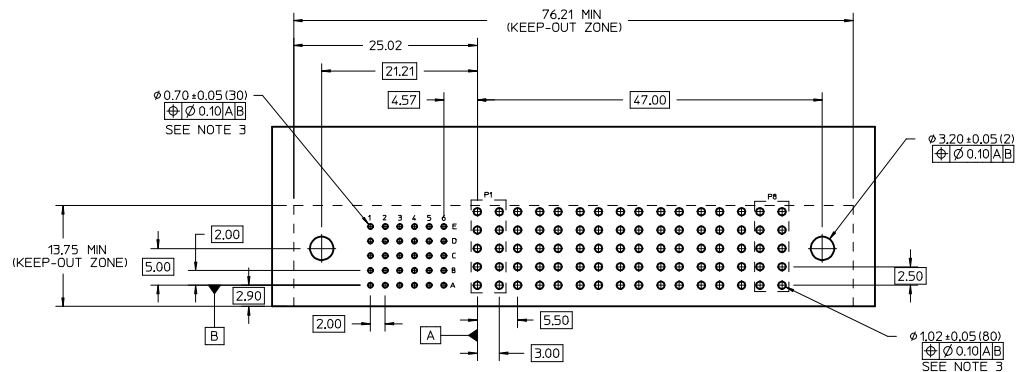
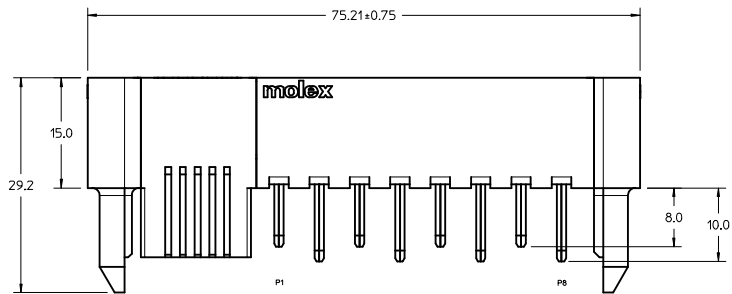
NOTES:

1. MATERIAL:
 - HOUSINGS: LCP UL94 V-0; COLOR: BLACK.
 - TERMINALS: COPPER ALLOY.
 - PLATING: 0.00127mm NICKEL OVERALL WITH 0.00254mm SELECTIVE MATTE TIN ON TAILS, AND 0.000762mm SELECTIVE GOLD ON CONTACT AREA.
2. ASSEMBLIES TO BE TRAY PACKED, STD. QUANTITY: PK-46437-005
3. PC BOARD REQUIRES PLATED THRU HOLES, REFER TO PS-46436-100 FOR DETAILS.
4. PRODUCT SPEC: PS-46436-100.
5. APPLICATION SPEC: AS-46436-100.
6. SEE PRODUCT SPEC FOR RoHS REQUIREMENTS.
7. ASSEMBLY MATES WITH MOLEX RECEPTACLE ASSEMBLY, P/N 46562-1419.

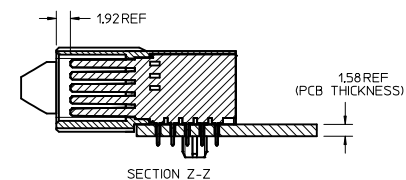
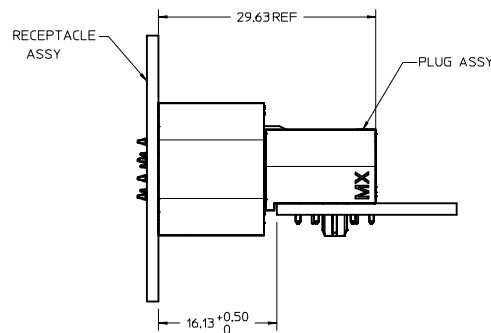
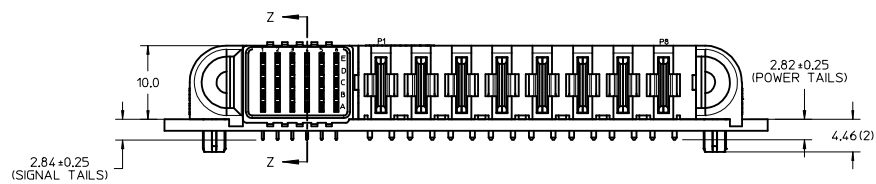


P/N: 46437-1419

PK NO. UPDATED IEC NO. UCF2015-0019 D: DRW: NIKHARANI SHNA 2014/07/02 CHKD: APPR: KPRASAD 2014/07/14 REV DESCRIPTION	QUALITY SYMBOLS ▽=0 ▽=0 ▽=0		GENERAL TOLERANCES (UNLESS SPECIFIED) mm INCH 4 PLACES ±--- ±--- 3 PLACES ±--- ±--- 2 PLACES ±0.13 ±--- 1 PLACE ±0.25 ±--- 0 PLACE ±--- ±--- ANGULAR ±1/2° DRAFT WHERE APPLICABLE MUST REMAIN WITHIN DIMENSIONS		DIMENSION STYLE MM ONLY SCALE 3:1 DESIGN UNITS METRIC THIRD ANGLE PROJECTION		DRAWN BY DATE GB 2012/08/03 CHECKED BY DATE BPI SZCZOR 2012/08/16 APPROVED BY DATE APATEL 2012/08/27		MATERIAL NO. 46437-1419 DOCUMENT NO. SD-46437-1419 SHEET NO. 1 OF 1	
	TITLE R/A PLUG ASSY G-30S-8DC-G TEN60 POWER FAMILY molex									



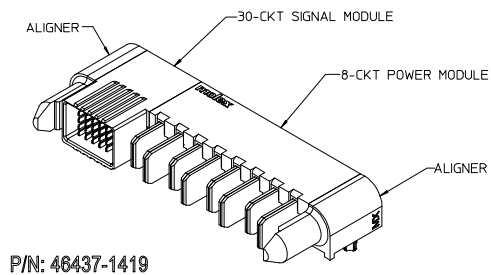
RECOMMENDED PCB LAYOUT AND KEEP-OUT ZONE



MATED PROFILE

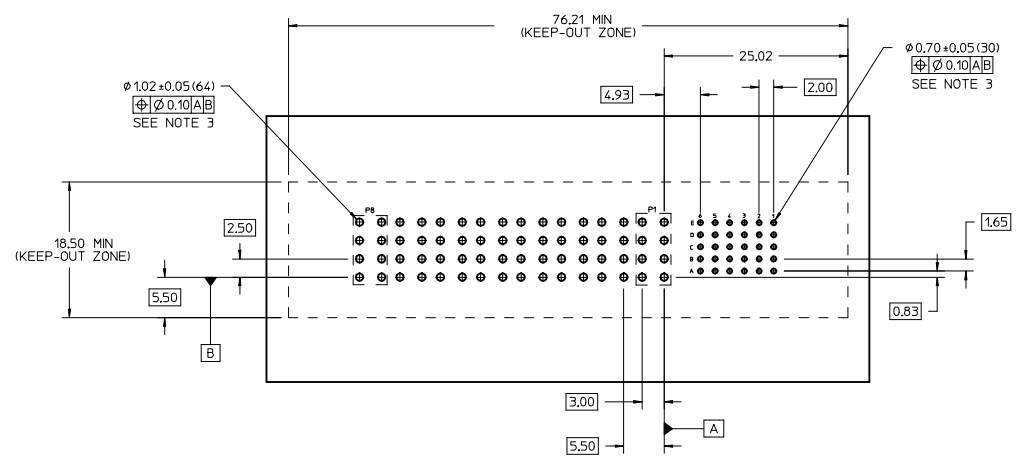
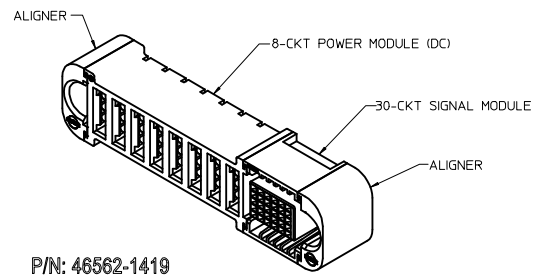
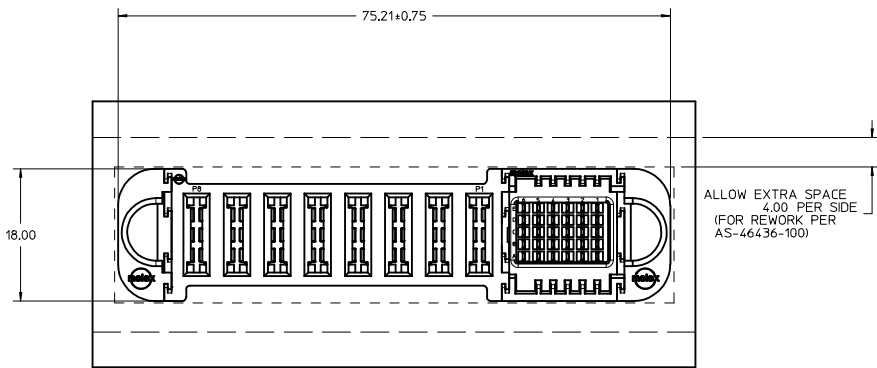
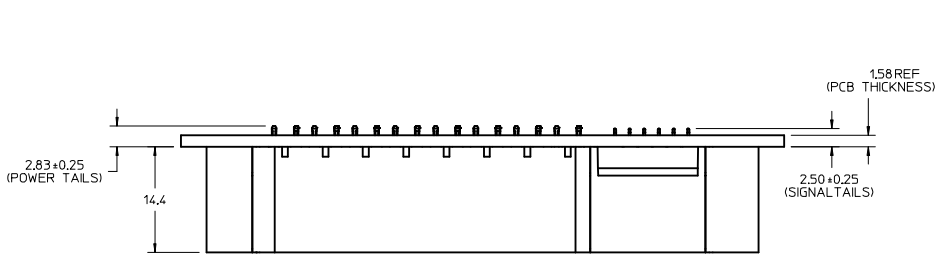
NOTES:

1. MATERIAL:
 - HOUSINGS: LCP UL94 V-0; COLOR: BLACK.
 - TERMINALS: COPPER ALLOY.
 - PLATING: 0.00127mm NICKEL OVERALL WITH 0.00254mm SELECTIVE MATTE TIN ON TAILS, AND 0.000762mm SELECTIVE GOLD ON CONTACT AREA.
2. ASSEMBLIES TO BE TRAY PACKED, STD. QUANTITY: PK-46437-005
3. PC BOARD REQUIRES PLATED THRU HOLES, REFER TO PS-46436-100 FOR DETAILS.
4. PRODUCT SPEC: PS-46436-100.
5. APPLICATION SPEC: AS-46436-100.
6. SEE PRODUCT SPEC FOR RoHS REQUIREMENTS.
7. ASSEMBLY MATES WITH MOLEX RECEPTACLE ASSEMBLY, P/N 46562-1419.

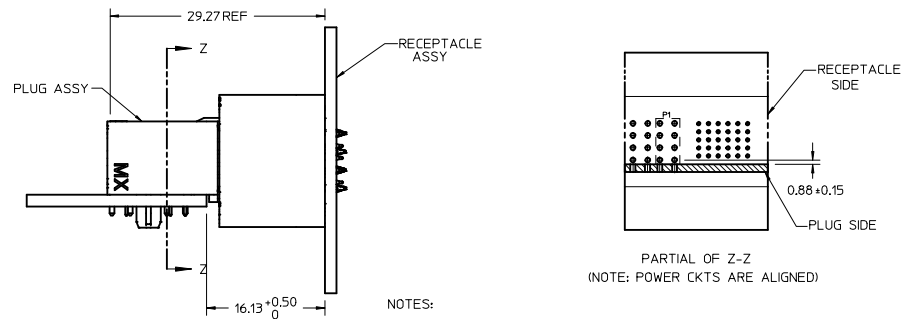


P/N: 46437-1419

PK NO. UPDATED IEC NO: UCF2015-0019 D: DRW: NIKHARANI SHNA 2014/07/02 CHYK: APPR: KPRASAD 2014/07/14 REV:	QUALITY SYMBOLS ▽=0 ▽=0 ▽=0	GENERAL TOLERANCES (UNLESS SPECIFIED) mm INCH 4 PLACES ±--- ±--- 3 PLACES ±--- ±--- 2 PLACES ±0.13 ±--- 1 PLACE ±0.25 ±--- 0 PLACE ±--- ±--- ANGULAR ±1/2° DRAFT WHERE APPLICABLE MUST REMAIN WITHIN DIMENSIONS	DIMENSION STYLE MM ONLY DRAWN BY DATE GB 2012/08/03 CHECKED BY DATE BPI SZCZOR 2012/08/16 APPROVED BY DATE APATEL 2012/08/27	SCALE 3:1 DESIGN UNITS METRIC THIRD ANGLE PROJECTION	TITLE R/A PLUG ASSY G-30S-8DC-G TEN60 POWER FAMILY molex	MATERIAL NO. 46437-1419 DOCUMENT NO. SD-46437-1419	SHEET NO. 1 OF 1
	THIS DRAWING CONTAINS INFORMATION THAT IS PROPRIETARY TO MOLEX INCORPORATED AND SHOULD NOT BE USED WITHOUT WRITTEN PERMISSION						



RECOMMENDED PCB LAYOUT AND KEEP-OUT ZONE



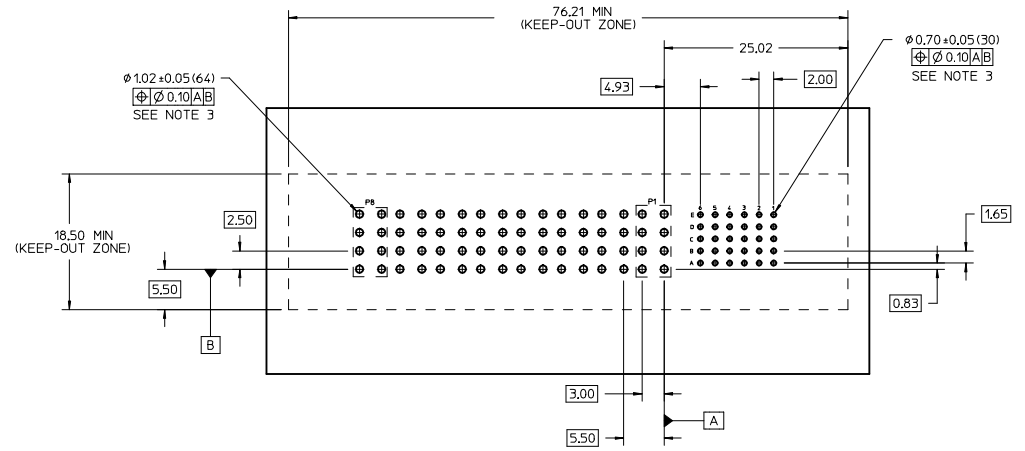
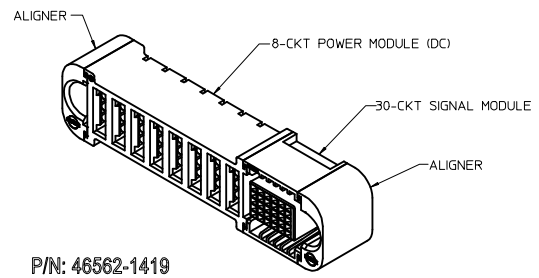
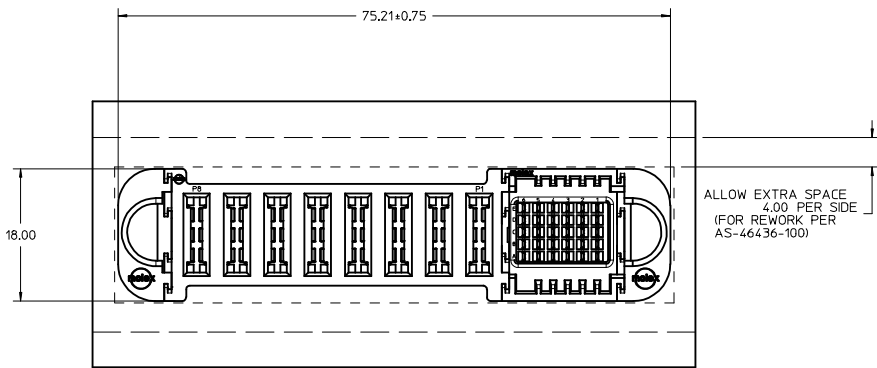
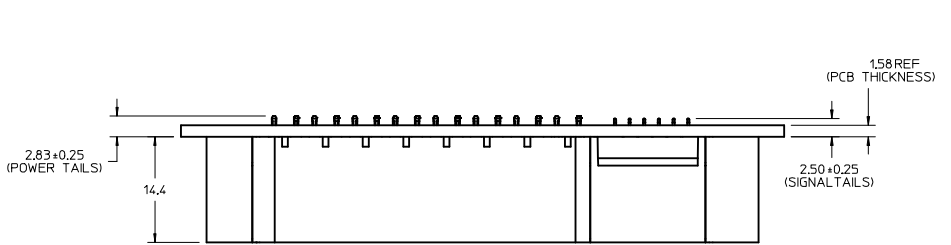
MATED PROFILE

NOTES:

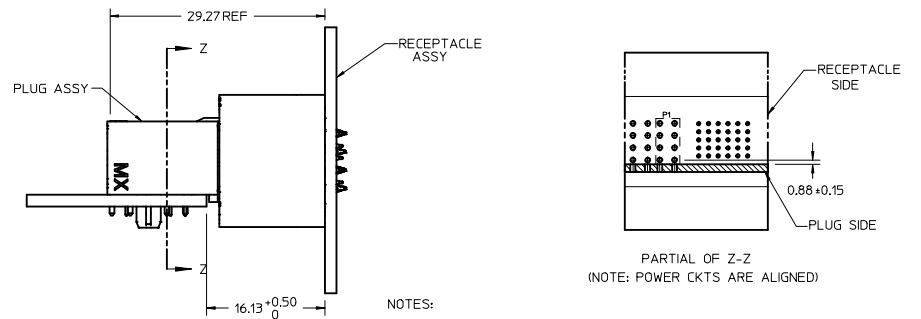
- MATERIAL:
 - HOUSINGS: LCP UL94, V-0, COLOR: BLACK
 - TERMINALS: COPPER ALLOY
 - PLATING: 1.27 MICROMETER (50 MICROINCH) NICKEL OVERALL WITH 2.54 MICROMETER (100 MICROINCH) SELECTIVE TIN ON TAILS AND 0.762 MICROMETER (30 MICROINCH) SELECTIVE GOLD ON CONTACT AREA
- PACKAGING: ASSEMBLIES TO BE TRAY PACKED PER PACKAGING SPEC: PK-46562-001
- PLATED THRU HOLE SIZE, REFER TO PS-4636-100 FOR DETAILS
- PRODUCT SPEC: PS-46436-100
- APPLICATION SPEC: AS-46436-100
- SEE PRODUCT SPEC FOR RoHS REQUIREMENTS
- ASSEMBLY MATES TO MOLEX PLUG ASSEMBLY P/N 46437-1419
- TAIL DESIGN: COMPLIANT PIN
- POWER AND SIGNAL CONTACTS ARE LUBRICATED

PK NO. UPDATED IEC NO. UICP2015-0019 DRAWN: RIMAMARI SHINA 2014/07/02 CHKD: APPR: KPRASAD 2014/07/14 REV: A2	QUALITY SYMBOLS ▽=0 ▽=0 ▽=0	GENERAL TOLERANCES (UNLESS SPECIFIED) mm INCH		DIMENSION STYLE MM ONLY	SCALE 3:1	DESIGN UNITS METRIC	THIRD ANGLE PROJECTION
		4 PLACES ±--- ±--- 3 PLACES ±0.13 ±--- 2 PLACES ±0.25 ±--- 1 PLACE ±--- ±--- 0 PLACE ±--- ±---	DRAWN BY GB 2012/08/03 CHECKED BY BPI SZCZOR 2012/08/16 APPROVED BY APATEL 2012/08/27	MATERIAL NO. 46562-1419	DOCUMENT NO. SD-46562-1419	TITLE VERT RECEPT ASSY G-30S-8DC-G TEN60 POWER FAMILY molex	SHEET NO. 1 OF 1

THIS DRAWING CONTAINS INFORMATION THAT IS PROPRIETARY TO MOLEX INCORPORATED AND SHOULD NOT BE USED WITHOUT WRITTEN PERMISSION



RECOMMENDED PCB LAYOUT AND KEEP-OUT ZONE



MATED PROFILE

NOTES:

- MATERIAL:
 - HOUSINGS: LCP UL94, V-0, COLOR: BLACK
 - TERMINALS: COPPER ALLOY
 - PLATING: 1.27 MICROMETER (50 MICROINCH) NICKEL OVERALL WITH 2.54 MICROMETER (100 MICROINCH) SELECTIVE TIN ON TAILS AND 0.762 MICROMETER (30 MICROINCH) SELECTIVE GOLD ON CONTACT AREA
- PACKAGING: ASSEMBLIES TO BE TRAY PACKED PER PACKAGING SPEC: PK-46562-001
- PLATED THRU HOLE SIZE, REFER TO PS-4636-100 FOR DETAILS
- PRODUCT SPEC: PS-46436-100
- APPLICATION SPEC: AS-46436-100
- SEE PRODUCT SPEC FOR RoHS REQUIREMENTS
- ASSEMBLY MATES TO MOLEX PLUG ASSEMBLY P/N 46437-1419
- TAIL DESIGN: COMPLIANT PIN
- POWER AND SIGNAL CONTACTS ARE LUBRICATED

PK NO. UPDATED IEC NO. UICP2015-0019 DRAWN: RAKHARISHNA 2014/07/02 CHKD: APPR: KPRASAD 2014/07/14 REV:	QUALITY SYMBOLS	GENERAL TOLERANCES (UNLESS SPECIFIED)	DIMENSION STYLE	SCALE	DESIGN UNITS	THIRD ANGLE PROJECTION
	▽=0	mm INCH	MM ONLY	3:1	METRIC	☉
	▽=0	4 PLACES ±--- ±---	DRAWN BY DATE			VERT RECEPT ASSY
	▽=0	3 PLACES ±0.13 ±---	CHECKED BY DATE			G-30S-8DC-G
	1 PLACE ±0.25 ±---	APPROVED BY DATE			TEN60 POWER FAMILY	
	0 PLACE ±--- ±---	ANGULAR ±1/2°	MATERIAL NO.	DOCUMENT NO.		
		DRAFT WHERE APPLICABLE MUST REMAIN WITHIN DIMENSIONS	46562-1419	SD-46562-1419		
			SIZE D			SHEET NO. 1 OF 1