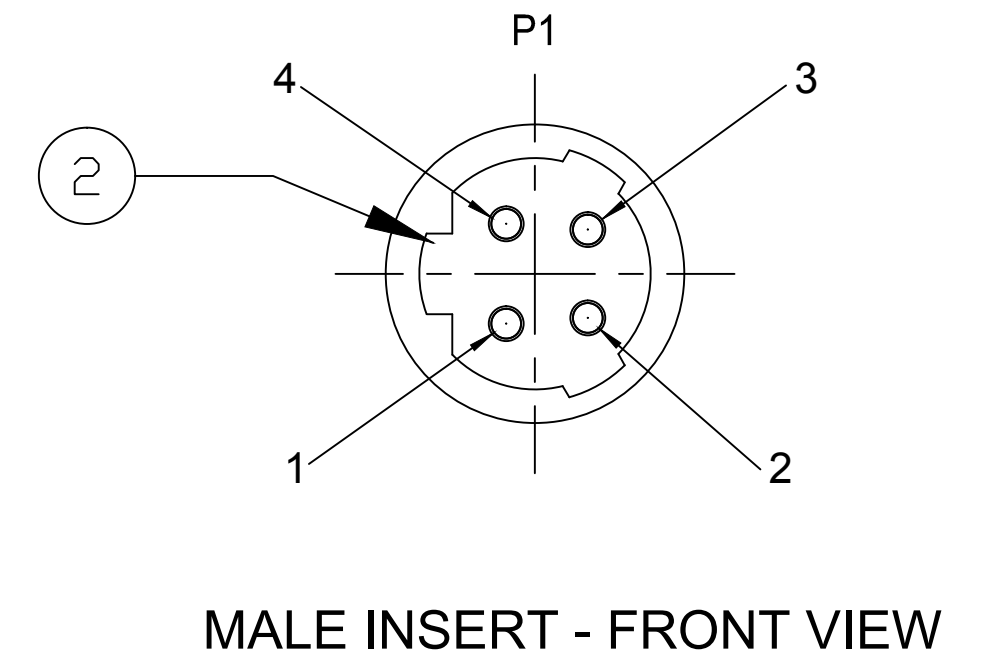
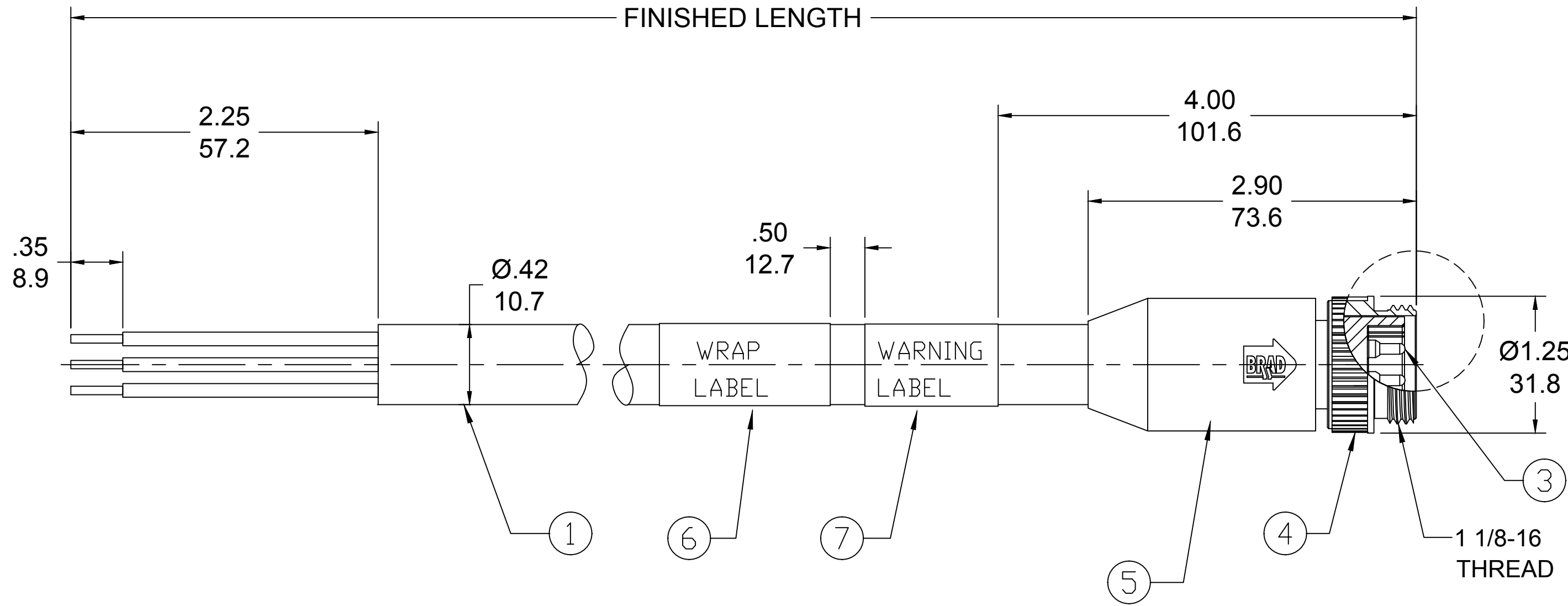


SAP P/N #	ENGINEERING P/N	FINISHED LENGTH
1300610291	304106K29M100A3	10M

CABLE LENGTH TOLERANCES	
>.3M [1FT]:	+19mm-0 [+1.75in-0]
.3 - .9M [1 - 3FT]:	+44.5mm-0 [+1.75in-0]
.9 - 1.8M [3 - 6FT]:	+55.6mm-0 [+2.19in-0]
1.8 - 3.7M [6 - 12FT]:	+88.9mm-0 [+3.50in-0]
3.7 - 7.3M [12 - 24FT]:	+165.1mm-0 [+6.50in-0]
7.3-14.6M [24 - 48FT]:	+317.5mm-0 [+12.50in-0]
14.6 - 30.5M [48-100FT]:	+622.3mm-0 [+24.50in-0]
OVER 30M [100FT]:	+2% OF FINISHED LENGTH



- NOTES:
1. MATERIAL: SEE TABLE
 2. FINISHES: SEE TABLE
 3. ELECTRICAL DATA
MAX VOLTAGE: UL2237 600V
MAX CURRENT: 25A
 4. TEMP RATING: -20°C TO 90°C
 5. PROTECTION: IP67 WHEN MATED
 6. UL CERTIFIED: UL2237 PENDING
 7. ALL DIMS ARE FOR REFERENCE UNLESS OTHERWISE NOTED

PART NUMBER LEGEND

304106K29M100A3

FINISHED LENGTH:
M001= .1M
M010= 1.0M
M100= 10.0M

P1	
BLACK #1	1
BLACK #2	2
BLACK #3	3
GREEN/YELLOW	4

WIRING DIAGRAM

7	WARNING LABEL	VINYL	MULTICOLOR
6	WRAP LABEL	VINYL	YELLOW
5	OVERMOLD	TPE	GRAY
4	MALE COUPLING NUT	BRASS	NICKEL PLATED
3	PIN CONTACT	BRASS	GOLD PLATED
2	MALE INSERT	TPE	BLACK
1	CABLE	TPE	BLACK
ITEM	DESCRIPTION	MATERIAL	FINISH

INITIAL RELEASE EC NO: IPG2019-0393 DRWN: CCHRSTK 2019/02/13 CHKD: MZIELINS 2019/02/26 APPR: BWOODMAN 2019/03/11	QUALITY SYMBOL ▽=0 ∇=0	GENERAL TOLERANCES (UNLESS SPECIFIED)		DIMENSION STYLE IN/MM		SCALE NTS	DESIGN UNITS INCH	THIRD ANGLE PROJECTION		
		4 PLACES	±----	±----	DRAWN BY CCHRSTK	DATE 2019/02/13	TITLE BRAD POWER MC C SIZE			
		3 PLACES	±----	±----	CHECKED BY MZIELINS	DATE 2019/02/26	4P MALE			
		2 PLACES	±----	±----	APPROVED BY BWOODMAN	DATE 2019/03/11	12 AWG			
1 PLACE	±----	±----	ANGULAR ±---°		MATERIAL NO. SEE P/N CHART		MOLEX INCORPORATED		SHEET NO. 1 OF 1	
DRAFT WHERE APPLICABLE MUST REMAIN WITHIN DIMENSIONS		SIZE C		THIS DRAWING CONTAINS INFORMATION THAT IS PROPRIETARY TO MOLEX INCORPORATED AND SHOULD NOT BE USED WITHOUT WRITTEN PERMISSION						