



PART NUMBER: 02C0500JF

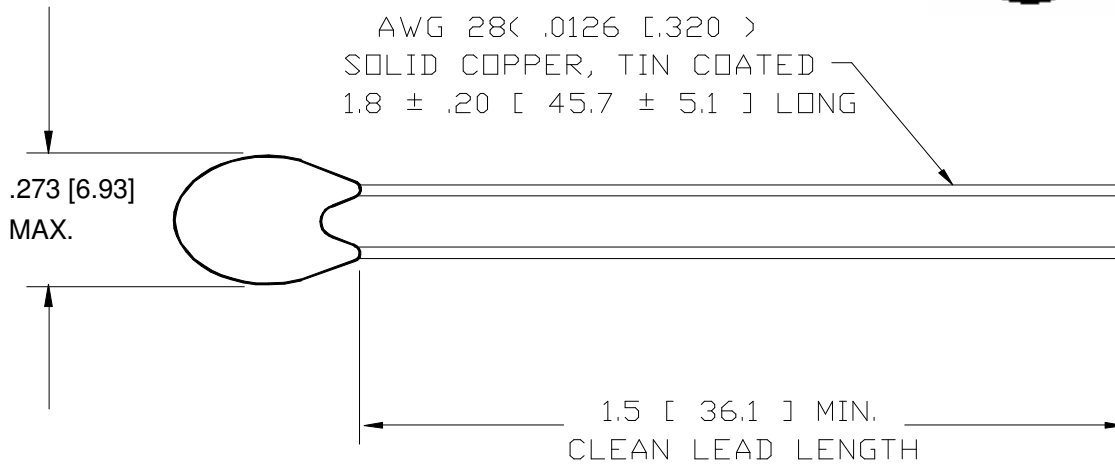
CURVE: 2
 R @ 25°C: 50
 TOLERANCE: ± 5%

RESISTANCE VS. TEMPERATURE FOR CURVE

TEMP. °C	CURVE RESISTANCE	MANUF. TOLERANCE.	TEMP. °C	CURVE RESISTANCE	MANUF. TOLERANCE.
-50	1952	± 11.2%	60	15	± 6.9%
-40	1074	± 10.8%	70	11	± 7.4%
-30	614	± 10.4%	80	8	± 7.7%
-20	364	± 9.7%	90	6	± 8.2%
-10	223	± 7.1%	100	5	± 8.6%
0	141	± 6%	110	4	± 9%
10	91	± 5.9%	120	3	± 9.4%
25	50	± 5%	130	2	± 9.7%
30	41	± 5.4%	140	2	± 10%
40	29	± 5.9%	150	2	± 10.4%
50	20	± 6.5%			

STEINHART-HART COEFFICIENTS & BETA @ 0 °C TO 100 °C

A = 0.002246896
 B = 0.000278069 BETA: 3460
 C = 0.000000317



Aug. 27, 2008