

# Preliminary Specification



## Patch Antenna JTTD1575-1602S35P4A

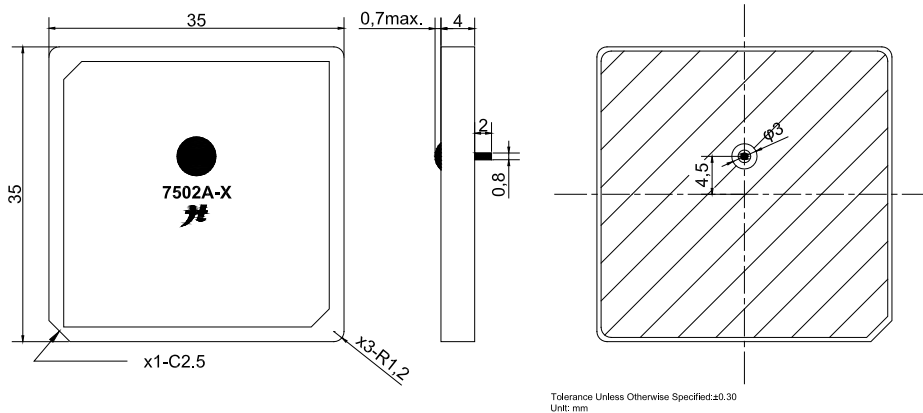
### Feature

- High gain , Compact
- Pin type
- Customization available

### Electrical Specification

Center Frequency	1575.42 ± 3.0 MHz	1602 ± 3.0 MHz
Return Loss @ F0	≥15.0 dB	
Bandwidth @ 10dB Return loss	-	
Polarization	RHCP	
Gain @ Zenith	2.0dBi typ.	
Ground plane	36 x 36 mm	
Impedance	50 Ω	
Frequency Temperature Coefficient	±20 ppm/°C	
Operation Temperature Range	-40 ~ +85°C	

### Mechanical Drawing



# Preliminary Specification



## Patch Antenna JTTD1575-1602S35P4A

### Test Fixture

