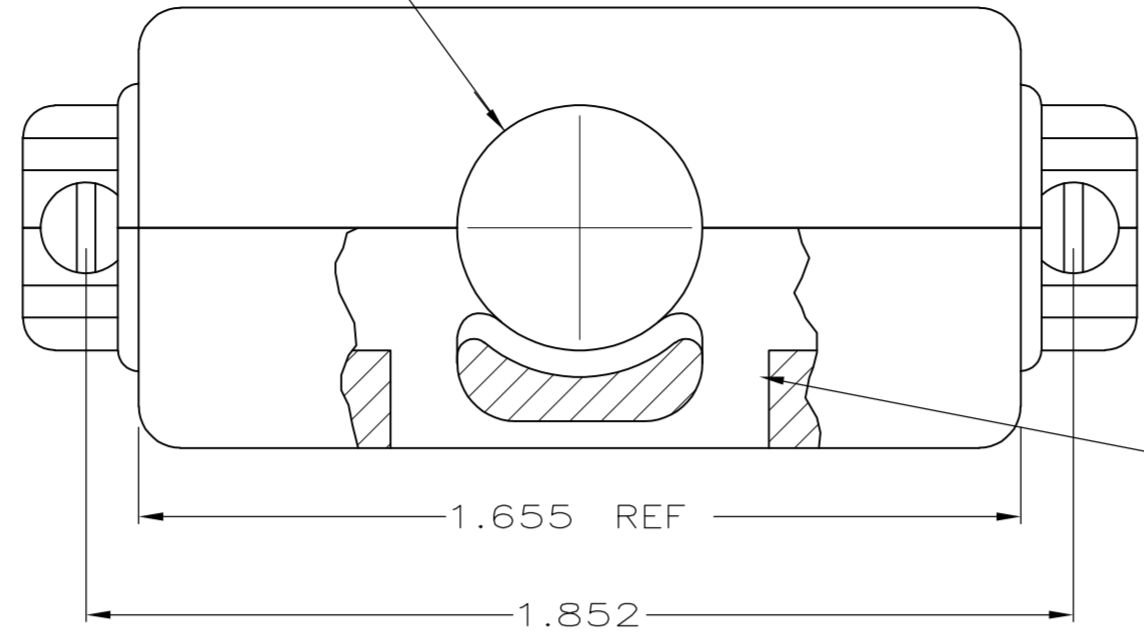


THIS DRAWING IS UNPUBLISHED. RELEASED FOR PUBLICATION
 © COPYRIGHT 2006 By - ALL RIGHTS RESERVED.

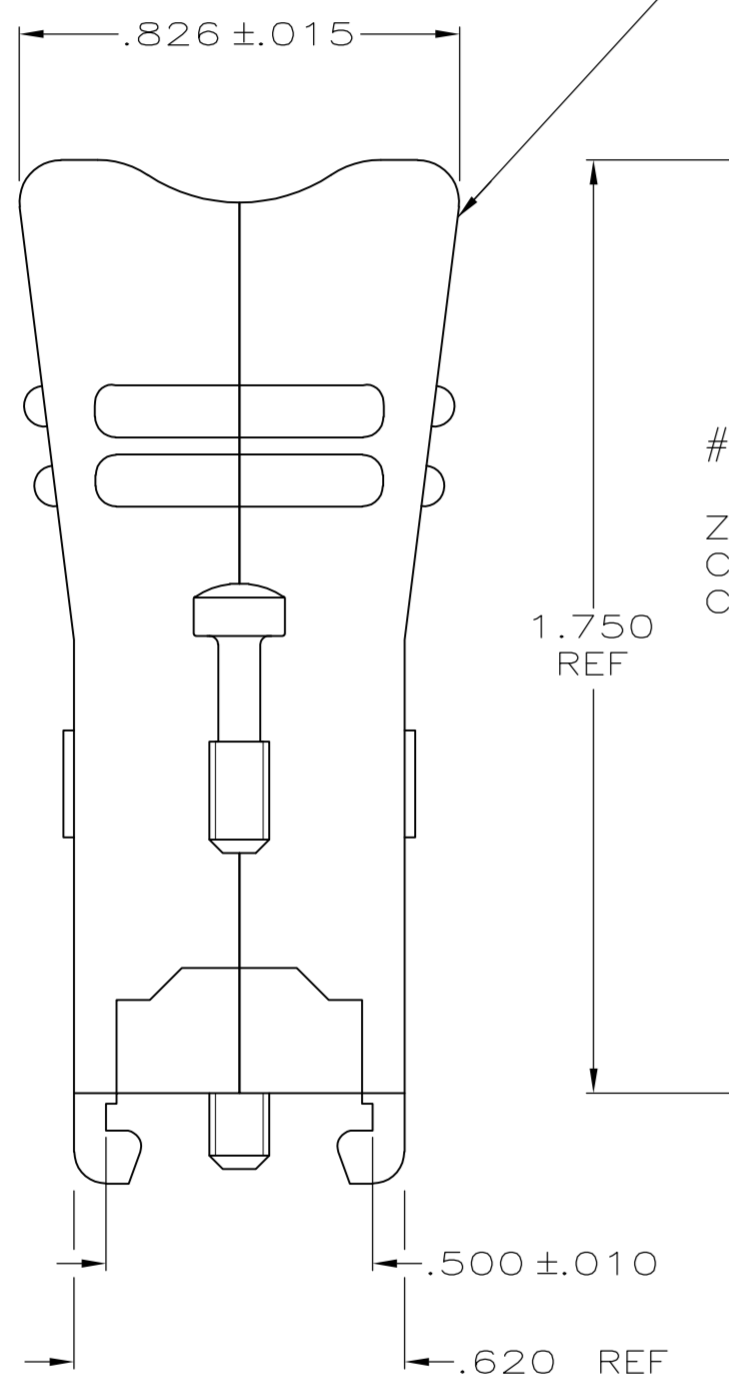
LOC	DIST	REVISIONS			
P	LTR	DESCRIPTION	DATE	DWN	APVD
GP	00				
P		REVISED PER ECO-11-004835	11MAR11	RK	HMR

.335 MAX DIA
CABLE OPENING

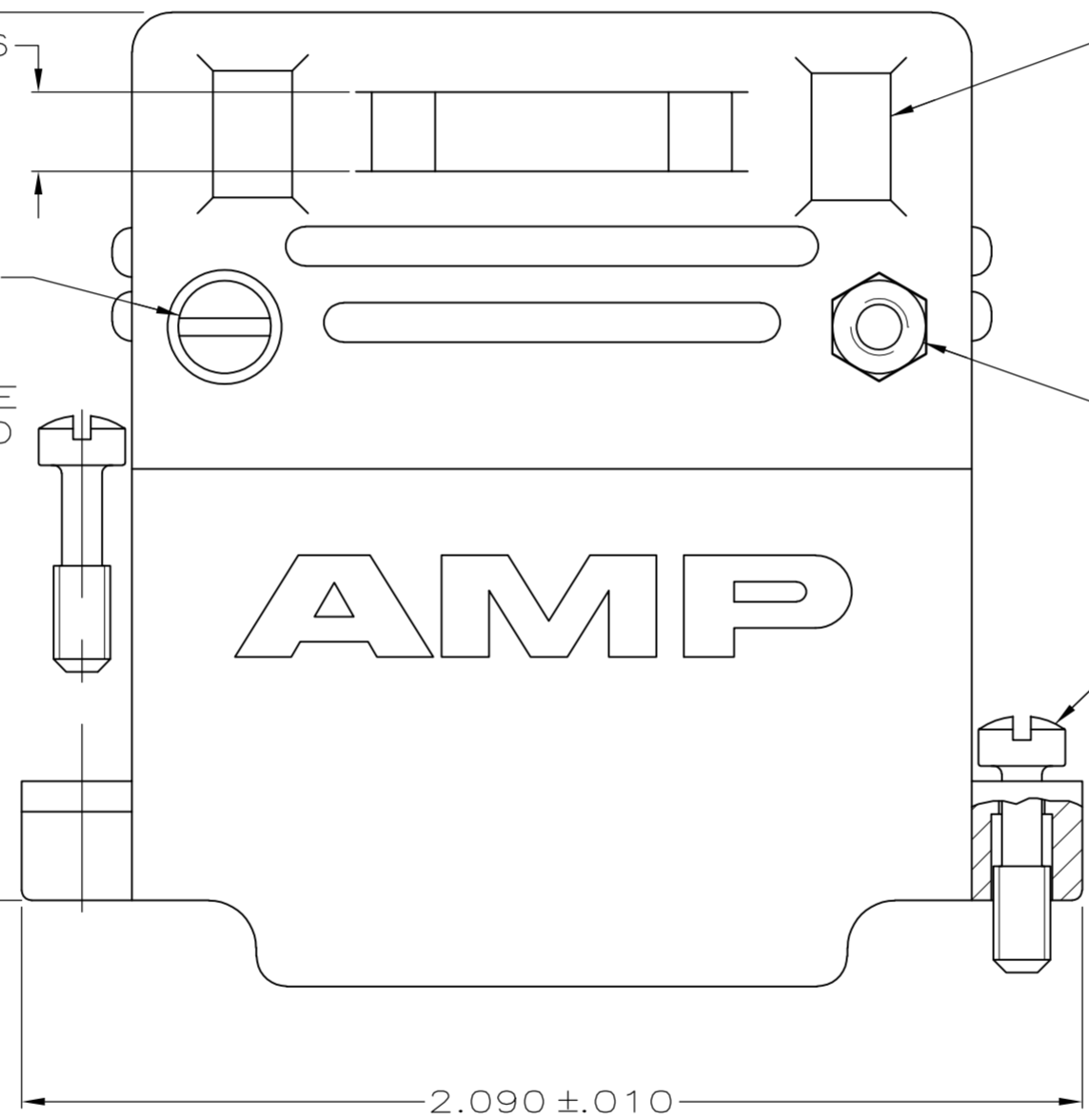


INTERNAL CABLE
TIE OPENINGS

TWO PIECE CABLE
SUPPORT HOUSING.
MATERIAL: THERMOPLASTIC, GRAY



#4-40 STEEL,
SCREW,
ZINC PLATED,
CLEAR CHROMATE
COATED, 2-REQD



EXTERNAL CABLE
TIE OPENINGS

#4-40 HEX NUT, STEEL,
ZINC PLATED CLEAR CHROMATE COATED

#4-40 CRS SCREW,
ZINC PLATED, 2 REQD
YELLOW CHROMATE COATED

1. THIS PART WILL FIT ANY STANDARD SIZE 3 PLUG OR RECEPTACLE IN THE AMPLIMITE SERIES.
2. ALL PARTS ARE PACKAGED UNASSEMBLED.

1 KIT PER POLY BAG	5206472-1
PACKAGING	PART NUMBER

THIS DRAWING IS A CONTROLLED DOCUMENT.		DWN	R.RICHARDSON	31AUG05		TE Connectivity																				
DIMENSIONS: INCHES		CHK	C.ROHDE	31AUG05		NAME																				
TOLERANCES UNLESS OTHERWISE SPECIFIED:		APVD	M. WALMSLEY	31AUG05		CABLE CLAMP ASSEMBLY, 180 DEG , SIZE 3, 25 POSITION, AMPLIMITE HD-20																				
<table border="1"> <tr><td>0 PLC</td><td>±</td><td>-</td></tr> <tr><td>1 PLC</td><td>±</td><td>-</td></tr> <tr><td>2 PLC</td><td>±</td><td>-</td></tr> <tr><td>3 PLC</td><td>±</td><td>.005</td></tr> <tr><td>4 PLC</td><td>±</td><td>-</td></tr> <tr><td>ANGLES</td><td>±</td><td>-</td></tr> </table>		0 PLC	±	-		1 PLC	±	-	2 PLC	±	-	3 PLC	±	.005	4 PLC	±	-	ANGLES	±	-	PRODUCT SPEC	-		SIZE	CAGE CODE	DRAWING NO
0 PLC	±	-																								
1 PLC	±	-																								
2 PLC	±	-																								
3 PLC	±	.005																								
4 PLC	±	-																								
ANGLES	±	-																								
MATERIAL SEE CALLOUTS		FINISH	SEE CALLOUTS		WEIGHT	A2 00779 C-5206472		-																		
CUSTOMER DRAWING					SCALE	3:1	SHEET	1 of 1	REV	P																