

Three Channel Energy Measurement IC

Features

- Superior Analog Performance with Ultra-low Noise Level & High SNR
- Energy Measurement Accuracy of 0.1% over 4000:1 Dynamic Range
- Current RMS Measurement Accuracy of 0.1% over 1000:1 Dynamic Range
- 3 Independent 24-bit, 4th-order, Delta-Sigma Modulators for Voltage and Current Measurements
- 3 Configurable Digital Outputs for Energy Pulses, Zero-crossing, or Energy Direction
- Supports Shunt Resistor, CT, & Rogowski Coil Current Sensors
- On-chip Measurements & Calculations:
 - Active, Reactive, and Apparent Power
 - RMS Voltage and Current
 - Power Factor and Line Frequency
 - Instantaneous Voltage, Current, and Power
- Overcurrent, Voltage Sag, and Voltage Swell Detection
- Ultra-fast On-chip Digital Calibration
- Internal Register Protection via Checksum and Write Protection
- UART/SPI™ Serial Interface
- On-chip Temperature Sensor
- On-chip Voltage Reference (25ppm / °C Typ.)
- Single 3.3V Power Supply
- Ultra-fine Phase Compensation
- Low Power Consumption: <13mW
- Power Supply Configurations
GNDA = GNDD = 0V, VDDA = +3.3V
- 4mm x 4mm, 24-pin QFN Package

ORDERING INFORMATION

See [Page 69](#).

Description

The CS5480 is a high-accuracy, three-channel, energy measurement analog front end.

The CS5480 incorporates independent, 4th order, Delta-Sigma analog-to-digital converters for every channel, reference circuitry, and the proven EXL signal processing core to provide active, reactive, and apparent energy measurement. In addition, RMS and power factor calculations are available. Calculations are output via configurable energy pulse, or direct UART/SPI™ serial access to on-chip registers.

Instantaneous current, voltage, and power measurements are also available over the serial port. Multiple serial options are offered to allow customer flexibility. The SPI provides higher speed, and the 2-wire UART minimizes the cost of isolation where required.

Three configurable digital outputs provide energy pulses, zero-crossing, energy direction, and interrupt functions. Interrupts can be generated for a variety of conditions including voltage sag or swell, overcurrent, and more. On-chip register integrity is assured via checksum and write protection. The CS5480 is designed to interface to a variety of voltage and current sensors including shunt resistors, current transformers, and Rogowski coils.

On-chip functionality makes digital calibration simple and ultra-fast, minimizing the time required at the end of the customer production line. Performance across temperature is ensured with an on-chip voltage reference with very low drift. A single 3.3V power supply is required, and power consumption is very low at <13mW. To minimize space requirements, the CS5480 is offered in a low-cost, 4mm x 4mm 24-pin QFN package.

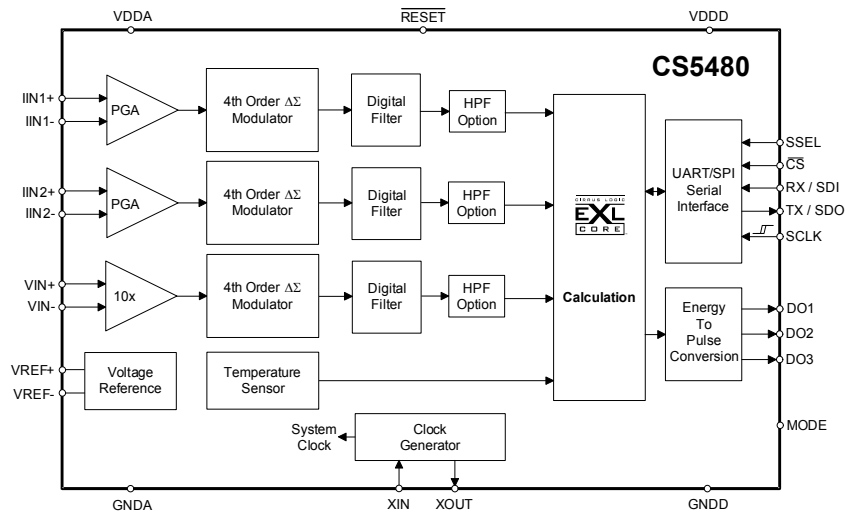


TABLE OF CONTENTS

1. Overview	5
2. Pin Description	6
2.1 Analog Pins	7
2.1.1 Voltage Input	7
2.1.2 Current1 and Current2 Inputs	7
2.1.3 Voltage Reference	7
2.1.4 Crystal Oscillator	7
2.2 Digital Pins	7
2.2.1 Reset Input	7
2.2.2 Digital Outputs	7
2.2.3 UART/SPI™ Serial Interface	7
2.2.3.1 SPI	8
2.2.3.2 UART	8
2.2.4 MODE Pin	8
3. Characteristics and Specifications	9
4. Signal Flow Description	17
4.1 Analog-to-Digital Converters	17
4.2 Decimation Filters	17
4.3 IIR Filters	17
4.4 Phase Compensation	18
4.5 DC Offset and Gain Correction	18
4.6 High-pass and Phase Matching Filters	18
4.7 Digital Integrators	18
4.8 Low-rate Calculations	18
4.8.1 Fixed Number of Samples Averaging	19
4.8.2 Line-cycle Synchronized Averaging	19
4.8.3 RMS Current and Voltage	19
4.8.4 Active Power	19
4.8.5 Reactive Power	19
4.8.6 Apparent Power	19
4.8.7 Peak Voltage and Current	19
4.8.8 Power Factor	19
4.9 Average Active Power Offset	19
4.10 Average Reactive Power Offset	20
5. Functional Description	21
5.1 Power-on Reset	21
5.2 Power Saving Modes	21
5.3 Zero-crossing Detection	21
5.4 Line Frequency Measurement	22
5.5 Meter Configuration Modes	23
5.6 Tamper Detection and Correction	24
5.6.1 Anti-tampering on Current	24
5.6.1.1 Automatic Channel Selection	24
5.6.1.2 Manual Channel Selection	25
5.6.2 Anti-tampering on Voltage	25
5.7 Energy Pulse Generation	25

5.7.1 Pulse Rate	26
5.7.2 Pulse Width	26
5.8 Voltage Sag, Voltage Swell, and Overcurrent Detection	26
5.9 Phase Sequence Detection	27
5.10 Temperature Measurement	27
5.11 Anti-Creep	28
5.12 Register Protection	28
5.12.1 Write Protection	28
5.12.2 Register Checksum	28
6. Host Commands and Registers	29
6.1 Host Commands	29
6.1.1 Memory Access Commands	29
6.1.1.1 Page Select	29
6.1.1.2 Register Read	29
6.1.1.3 Register Write	29
6.1.2 Instructions	29
6.1.3 Checksum	30
6.1.4 Serial Time Out	30
6.2 Hardware Registers Summary (Page 0)	31
6.3 Software Registers Summary (Page 16)	33
6.4 Software Registers Summary (Page 17)	35
6.5 Software Registers Summary (Page 18)	36
6.6 Register Descriptions	37
7. System Calibration	63
7.1 Calibration in General	63
7.1.1 Offset Calibration	63
7.1.1.1 DC Offset Calibration	63
7.1.1.2 Current Channel AC Offset Calibration	63
7.1.2 Gain Calibration	64
7.1.3 Calibration Order	64
7.2 Phase Compensation	64
7.3 Temperature Sensor Calibration	65
7.3.1 Temperature Offset and Gain Calibration	65
8. Basic Application Circuits	66
9. Package Dimensions	68
10. Ordering Information	69
11. Environmental, Manufacturing, and Handling Information	69
12. Revision History	69

LIST OF FIGURES

Figure 1. Oscillator Connections.....	7
Figure 2. Multi-device UART Connections.....	8
Figure 3. UART Serial Frame Format.....	8
Figure 4. Active Energy Load Performance.....	9
Figure 5. Reactive Energy Load Performance.....	10
Figure 6. IRMS Load Performance.....	10
Figure 7. SPI Data and Clock Timing.....	15
Figure 8. Multi-device UART Timing.....	15
Figure 9. Signal Flow for V1, I1, P1, Q1 Measurements.....	17
Figure 10. Signal Flow for V2, I2, P2, and Q2 Measurements.....	17
Figure 11. Low-rate Calculations.....	18
Figure 12. Power-on Reset Timing.....	21
Figure 13. Zero-crossing Level and Zero-crossing Output on DOx.....	22
Figure 14. Channel Selection and Tamper Protection Flow.....	23
Figure 15. Automatic Channel Selection.....	24
Figure 16. Energy Pulse Generation and Digital Output Control.....	25
Figure 17. Sag, Swell, and Overcurrent Detect.....	26
Figure 18. Phase Sequence A, B, C for Rising Edge Transition.....	27
Figure 19. Phase Sequence C, B, A for Rising Edge Transition.....	28
Figure 20. Byte Sequence for Page Select.....	29
Figure 21. Byte Sequence for Register Read.....	29
Figure 22. Byte Sequence for Register Write.....	29
Figure 23. Byte Sequence for Instructions.....	29
Figure 24. Byte Sequence for Checksum.....	30
Figure 25. Calibration Data Flow.....	63
Figure 26. T Register vs. Force Temp.....	65
Figure 27. Typical Single-phase 3-Wire Connection.....	66
Figure 28. Typical Single-phase 2-Wire Connection.....	67

LIST OF TABLES

Table 1. POR Thresholds.....	21
Table 2. Meter Configuration Modes.....	23
Table 3. Command Format.....	29
Table 4. Instruction Format.....	29

1. OVERVIEW

The CS5480 is a CMOS power measurement integrated circuit that uses three $\Delta\Sigma$ analog-to-digital converters to measure line voltage, two currents and temperature. It calculates active, reactive, and apparent power as well as RMS voltage and current and peak voltage and current. It handles other system-related functions, such as energy pulse generation, voltage sag and swell, overcurrent and zero-crossing detection, and line frequency measurement.

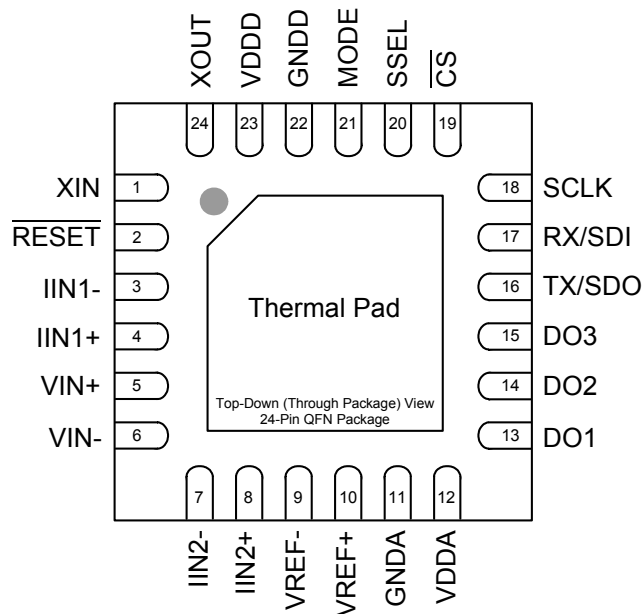
The CS5480 is optimized to interface to current transformers, shunt resistors, or Rogowski coils for current measurement and to resistive dividers or voltage transformers for voltage measurement. Two full-scale ranges are provided on the current inputs to accommodate different types of current sensors. The CS5480's three differential inputs have a common-mode input range from analog ground (GNDA) to the positive analog supply (VDDA).

An on-chip voltage reference (nominally 2.4 volts) is generated and provided at analog output, VREF \pm .

Three digital outputs (DO1, DO2, and DO3) provide a variety of output signals, and depending on the mode selected, energy pulses, zero-crossings, or other choices.

The CS5480 includes a UART/SPI™ serial host interface to an external microcontroller. The serial select (SSEL) pin is used to configure the serial port to be a SPI or UART. SPI signals include serial data input (SDI), serial data output (SDO), and serial clock (SCLK). UART signals include serial data input (RX) and serial data output (TX). A chip select ($\overline{\text{CS}}$) signal allows multiple CS5480s to share the same serial interface with the microcontroller.

2. PIN DESCRIPTION



Clock Generator

Crystal In	1,24	XIN, XOUT — Connect to an external quartz crystal. Alternatively, an external clock can be supplied to the XIN pin to provide the system clock for the device.
Crystal Out		

Digital Pins and Serial Data I/O

Digital Outputs	13,14,15	DO1, DO2, DO3 — Configurable digital outputs for energy pulses, interrupt, tamper indication, energy direction, and zero-crossings.
Reset	2	RESET — An active-low Schmitt-trigger input used to reset the chip.
Serial Data I/O	16,17	TX/SDO, RX/SDI — UART/SPI serial data output/input.
Serial Clock Input	18	SCLK — Serial clock for the SPI.
Serial Mode Select	20	SSEL — Selects the type of the serial interface, UART or SPI™. Logic level one - UART selected. Logic level zero - SPI selected.
Chip Select	19	CS — Chip select for the UART/SPI.
Operating Mode Select	21	MODE — Connect to VDDA for proper operation.

Analog Inputs/Outputs

Voltage Input	5,6	VIN+, VIN- — Differential analog input for the voltage channel.
Current Inputs	4,3,8,7	IIN1+, IIN1-, IIN2+, IIN2- — Differential analog inputs for the current channels.
Voltage Reference	10,9	VREF+, VREF- — The internal voltage reference. A 0.1 μ F bypass capacitor is required between these two pins.

Power Supply Connections

Internal Digital Supply	23	VDDD — Decoupling pin for the internal 1.8V digital supply. A 0.1 μ F bypass capacitor is required between this pin and GNDD.
Digital Ground	22	GNDD — Digital ground.
Positive Analog Supply	12	VDDA — The positive 3.3V analog supply.
Analog Ground	11	GNDA — Analog ground.

Thermal Pad	-	No Electrical Connection.
--------------------	---	---------------------------

2.1 Analog Pins

The CS5480 has a differential input ($V_{IN\pm}$) for voltage input and two differential inputs ($I_{IN1\pm}$, $I_{IN2\pm}$) for current1 and current2 inputs. The CS5480 also has two voltage reference pins ($V_{REF\pm}$) between which a bypass capacitor should be placed.

2.1.1 Voltage Input

The output of the line voltage resistive divider or transformer is connected to the ($V_{IN\pm}$) input of the CS5480. The voltage channel is equipped with a 10x, fixed-gain amplifier. The full-scale signal level that can be applied to the voltage channel is $\pm 250\text{mV}$. If the input signal is a sine wave, the maximum RMS voltage is $250\text{mVp}/\sqrt{2} \approx 176.78\text{mV}_{\text{RMS}}$, which is approximately 70.7% of maximum peak voltage.

2.1.2 Current1 and Current2 Inputs

The output of the current-sensing shunt resistor, transformer, or Rogowski coil is connected to the $I_{IN1\pm}$ or $I_{IN2\pm}$ input pins of the CS5480. To accommodate different current-sensing elements, the current channel incorporates a programmable gain amplifier (PGA) with two selectable input gains, as described in *Config0* register description section [6.6.1 Configuration 0 \(Config0\) – Page 0, Address 0](#) on page 37. There is a 10x gain setting and a 50x gain setting. The full-scale signal level for current channels is $\pm 50\text{mV}$ and $\pm 250\text{mV}$ for 50x and 10x gain settings, respectively. If the input signal is a sine wave, the maximum RMS voltage is $35.35\text{mV}_{\text{RMS}}$ or $176.78\text{mV}_{\text{RMS}}$, which is approximately 70.7% of maximum peak voltage.

2.1.3 Voltage Reference

The CS5480 generates a stable voltage reference of 2.4V between the $V_{REF\pm}$ pins. The reference system also requires a filter capacitor of at least $0.1\mu\text{F}$ between the $V_{REF\pm}$ pins.

The reference system is capable of providing a reference for the CS5480 but has limited ability to drive external circuitry. It is strongly recommended that nothing other than the required filter capacitor be connected to the $V_{REF\pm}$ pins.

2.1.4 Crystal Oscillator

An external, 4.096MHz quartz crystal can be connected to the XIN and XOUT pins, as shown in Figure 1. To reduce system cost, each pin is supplied with an on-chip load capacitor.

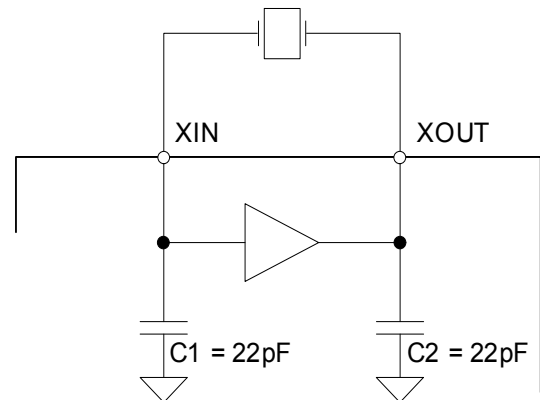


Figure 1. Oscillator Connections

Alternatively, an external clock source can be connected to the XIN pin.

2.2 Digital Pins

2.2.1 Reset Input

The active-low $\overline{\text{RESET}}$ pin, when asserted for longer than $120\mu\text{s}$, will halt all CS5480 operations and reset internal hardware registers and states. When de-asserted, an initialization sequence begins, setting default register values. To prevent erroneous noise-induced resets to the CS5480, an external pull-up resistor and a decoupling capacitor are necessary on the $\overline{\text{RESET}}$ pin.

2.2.2 Digital Outputs

The CS5480 provides three configurable digital outputs (DO1-DO3). They can be configured to output energy pulses, interrupt, zero-crossings, or energy directions. Refer to the description of the *Config1* register in section [6.6.2 Configuration 1 \(Config1\) – Page 0, Address 1](#) on page 38 for more details.

2.2.3 UART/SPI™ Serial Interface

The CS5480 provides five pins—SSEL, RX/SDI, TX/SDO, $\overline{\text{CS}}$, and SCLK—for communication between a host microcontroller and the CS5480.

SSEL is an input that, when low, indicates to the CS5480 to use the SPI port as the serial interface to communicate with the host microcontroller. The SSEL pin has an internal weak pull-up. When the SSEL pin is left unconnected or pulled high externally, the UART port is used as the serial interface.

2.2.3.1 SPI

The CS5480 provides a Serial Peripheral Interface (SPI) that operates as a slave device in 4-wire mode and supports multiple slaves on the SPI bus. The 4-wire SPI includes \overline{CS} , SCLK, SDI, and SDO signals.

\overline{CS} is the chip select input for the CS5480 SPI port. A high logic level de-asserts it, tri-stating the SDO pin and clearing the SPI interface. A low logic level enables the SPI port. Although the \overline{CS} pin may be tied low for systems that do not require multiple SDO drivers, using the \overline{CS} signal is strongly recommended to achieve a more reliable SPI communication.

SCLK is the serial clock input for the CS5480 SPI port. Serial data changes as a result of the falling edge of SCLK and is valid at the rising edge. The SCLK pin is a Schmitt-trigger input.

SDI is the serial data input to the CS5480.

SDO is the serial data output from the CS5480.

The CS5480 SPI transmits and receives data MSB first. Refer to [Switching Characteristics](#) on page 14 and [Figure 7](#) on page 15 for more detailed information of SPI timing.

2.2.3.2 UART

The CS5480 device contains an asynchronous, full-duplex UART. The UART may be used in either standard 2-wire communication mode (RX/TX) for connecting a single device or 3-wire communication mode (RX/TX/ \overline{CS}) for connecting multiple devices. When connecting a single CS5480 device, \overline{CS} should be held low to enable the UART. Multiple CS5480 devices can communicate to the same master UART in the 3-wire mode by pulling a slave \overline{CS} pin low during data transmissions. Common RX and TX signals are provided to all the slave devices, and each slave device requires a separate \overline{CS} signal for enabling communication to that slave. The multi-device UART mode connections are shown in [Figure 2](#).

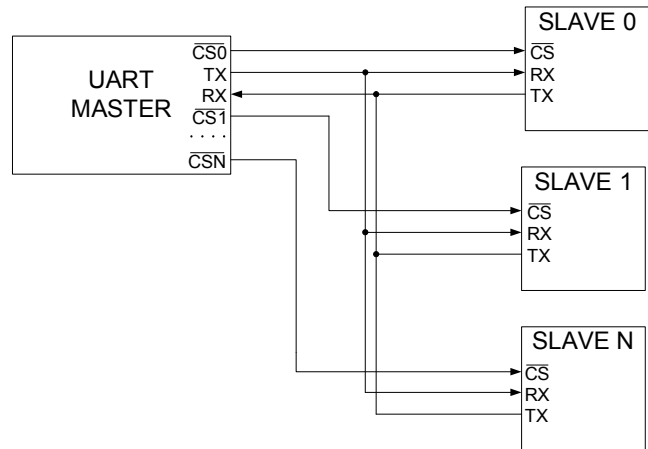


Figure 2. Multi-device UART Connections

The multi-device UART mode timing diagram provides the timing requirements for the \overline{CS} control (see [Figure 8. Multi-device UART Timing](#) on page 15).

The CS5480 UART operates in 8-bit mode, which transmits a total of 10 bits per byte. Data is transmitted and received LSB first, with one start bit, eight data bits, and one stop bit.



Figure 3. UART Serial Frame Format

The baud rate is defined in the *SerialCtrl* register. After chip reset, the default baud rate is 600, if MCLK is 4.096MHz. The baud rate is based on the contents of bits BR[15:0] in the *SerialCtrl* register and is calculated as follows:

$$BR[15:0] = \text{Baud Rate} \times (524288 / \text{MCLK})$$

or

$$\text{Baud Rate} = BR[15:0] / (524288 / \text{MCLK})$$

The maximum baud rate is 512K if MCLK is 4.096MHz.

2.2.4 MODE Pin

The MODE pin must be tied to VDDA for normal operation. The MODE pin is used primarily for factory test procedures.

3. CHARACTERISTICS AND SPECIFICATIONS

RECOMMENDED OPERATING CONDITIONS

Parameter	Symbol	Min	Typ	Max	Unit
Positive Analog Power Supply	VDDA	3.0	3.3	3.6	V
Specified Temperature Range	T _A	-40	-	+85	°C

POWER MEASUREMENT CHARACTERISTICS

Parameter	Symbol	Min	Typ	Max	Unit
Active Energy (Note 1 and 2) All Gain Ranges Current Channel Input Signal Dynamic Range 4000:1	P _{Avg}	-	±0.1	-	%
Reactive Energy (Note 1 and 2) All Gain Ranges Current Channel Input Signal Dynamic Range 4000:1	Q _{Avg}	-	±0.1	-	%
Apparent Power (Note 1 and 3) All Gain Ranges Current Channel Input Signal Dynamic Range 1000:1	S	-	±0.1	-	%
Current RMS (Note 1, 3, and 4) All Gain Ranges Current Channel Input Signal Dynamic Range 1000:1	I _{RMS}	-	±0.1	-	%
Voltage RMS (Note 1 and 3) Voltage Channel Input Signal Dynamic Range 20:1	V _{RMS}	-	±0.1	-	%
Power Factor (Note 1 and 3) All Gain Ranges Current Channel Input Signal Dynamic Range 1000:1	PF	-	±0.1	-	%

- Notes:
- Specifications guaranteed by design and characterization.
 - Active energy is tested with power factor (PF) = 1.0. Reactive energy is tested with Sin(φ) = 1.0. Energy error measured at system level using a single energy pulse. Where: 1) One energy pulse = 0.5Wh or 0.5Varh; 2) VDDA = +3.3V, T_A = 25°C, MCLK = 4.096MHz; 3) System is calibrated.
 - Calculated using register values; N ≥ 4000.
 - I_{RMS} error calculated using register values. 1) VDDA = +3.3V; T_A = 25°C; MCLK = 4.096MHz; 2) AC offset calibration applied.

TYPICAL LOAD PERFORMANCE

- Energy error measured at system level using single energy pulse; where one energy pulse = 0.5Wh or 0.5Varh.
- I_{RMS} error calculated using register values.
- VDDA = +3.3V; T_A = 25°C; MCLK = 4.096MHz.

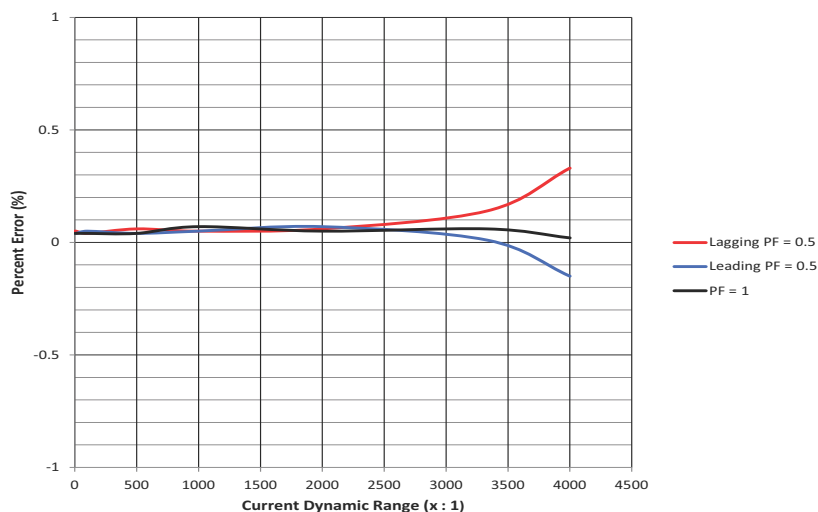


Figure 4. Active Energy Load Performance

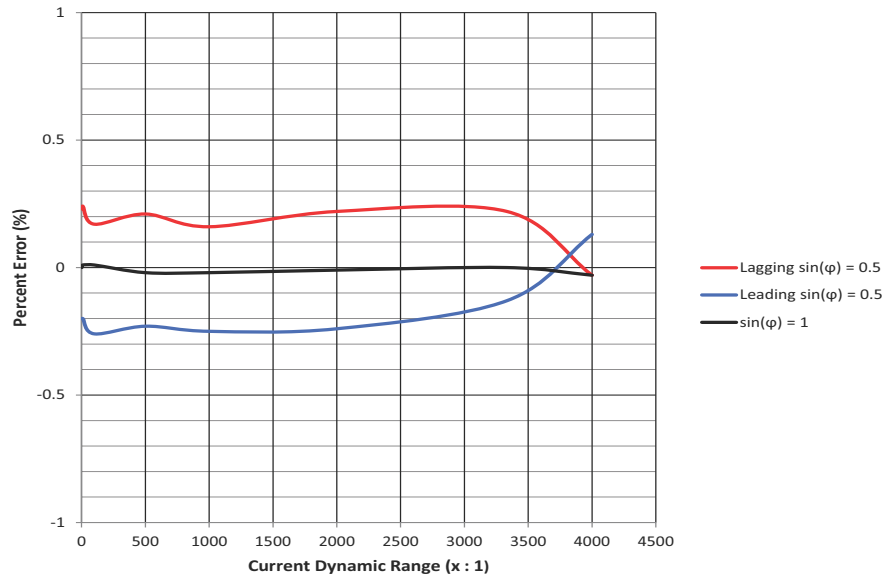


Figure 5. Reactive Energy Load Performance

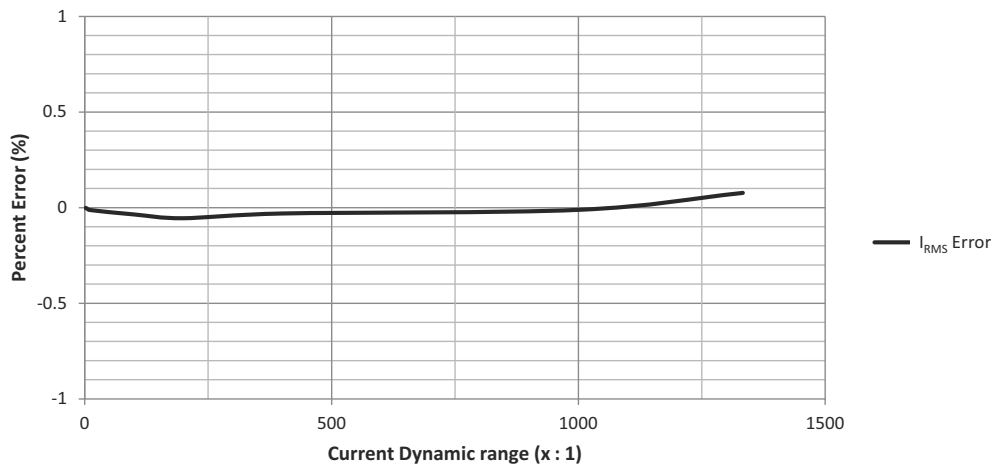


Figure 6. I_{RMS} Load Performance

ANALOG CHARACTERISTICS

- Min / Max characteristics and specifications are guaranteed over all [Recommended Operating Conditions](#).
- Typical characteristics and specifications are measured at nominal supply voltages and $T_A = 25^\circ\text{C}$.
- $V_{DDA} = +3.3\text{V} \pm 10\%$; $G_{NDA} = G_{NDD} = 0\text{V}$. All voltages with respect to 0V.
- $MCLK = 4.096\text{MHz}$.

Parameter	Symbol	Min	Typ	Max	Unit
Analog Inputs (Current Channels)					
Common Mode Rejection (DC, 50, 60Hz)	CMRR	80	-	-	dB
Common Mode+Signal		-0.25	-	V _{DDA}	V
Differential Full-scale Input Range [(IIN+) – (IIN-)]	IIN	-	250 50	-	mV _P mV _P
Total Harmonic Distortion (Gain = 50)	THD	90	100	-	dB
Signal-to-Noise Ratio (SNR) (Gain = 10)	SNR	-	80	-	dB
(Gain = 50)		-	80	-	dB
Crosstalk from Voltage Inputs at Full Scale (50, 60Hz)		-	-115	-	dB
Crosstalk from Current Input at Full Scale (50, 60Hz)		-	-115	-	dB
Input Capacitance	IC	-	27	-	pF
Effective Input Impedance	EII	30	-	-	kΩ
Offset Drift (Without the High-pass Filter)	OD	-	4.0	-	μV/°C
Noise (Referred to Input) (Gain = 10)	N _I	-	15	-	μV _{RMS}
(Gain = 50)		-	3.5	-	μV _{RMS}
Power Supply Rejection Ratio (Note 7) (60Hz)	PSRR	60	65	-	dB
(Gain = 10)		68	75	-	dB
(Gain = 50)					
Analog Inputs (Voltage Channels)					
Common Mode Rejection (DC, 50, 60Hz)	CMRR	80	-	-	dB
Common Mode+Signal		-0.25	-	V _{DDA}	V
Differential Full-scale Input Range [(VIN+) – (VIN-)]	VIN	-	250	-	mV _P
Total Harmonic Distortion	THD	80	88	-	dB
Signal-to-Noise Ratio (SNR)	SNR	-	73	-	dB
Crosstalk from Current Inputs at Full Scale (50, 60Hz)		-	-115	-	dB
Input Capacitance	IC	-	2.0	-	pF
Effective Input Impedance	EII	2	-	-	MΩ
Noise (Referred to Input)	N _V	-	40	-	μV _{RMS}
Offset Drift (Without the High-pass Filter)	OD	-	16.0	-	μV/°C
Power Supply Rejection Ratio (Note 7) (60Hz)	PSRR	60	65	-	dB
(Gain = 10x)					
Temperature					
Temperature Accuracy (Note 6)	T	-	±5	-	°C

Parameter	Symbol	Min	Typ	Max	Unit	
Power Supplies						
Power Supply Currents (Active State)	I_{A+} (VDDA = +3.3V)	PSCA	-	3.9	-	mA
Power Consumption (Note 5)	Active State (VDDA = +3.3V)	PC	-	12.9	-	mW
	Stand-by State		-	4.5	-	mW

- Notes:
- All outputs unloaded. All inputs CMOS level.
 - Temperature accuracy measured after calibration is performed.
 - Measurement method for PSRR: VDDA = +3.3V, a 150mV (zero-to-peak) (60Hz) sine wave is imposed onto the +3.3V DC supply voltage at the VDDA pin. The "+" and "-" input pins of both input channels are shorted to GNDA. The CS5480 is then commanded to continuous conversion acquisition mode, and digital output data is collected for the channel under test. The (zero-to-peak) value of the digital sinusoidal output signal is determined, and this value is converted into the (zero-to-peak) value of the sinusoidal voltage (measured in mV) that would need to be applied at the channel's inputs in order to cause the same digital sinusoidal output. This voltage is then defined as V_{eq} . PSRR is (in dB):

$$PSRR = 20 \cdot \log \left[\frac{150}{V_{eq}} \right]$$

VOLTAGE REFERENCE

Parameter	Symbol	Min	Typ	Max	Unit
Reference (Note 8)					
Output Voltage	VREF	+2.3	+2.4	+2.5	V
Temperature Coefficient	(Note 9) TC_{VREF}	-	25	-	ppm/°C
Load Regulation	(Note 10) ΔV_R	-	30	-	mV

- Notes:
- It is strongly recommended that no connection other than the required filter capacitor be made to VREF±.
 - The voltage at VREF± is measured across the temperature range. From these measurements the following formula is used to calculate the VREF temperature coefficient:

$$TC_{VREF} = \left(\frac{VREF_{MAX} - VREF_{MIN}}{VREF_{AVG}} \right) \left(\frac{1}{T_{A MAX} - T_{A MIN}} \right) (1.0 \times 10^6)$$

- Specified at maximum recommended output of 1µA sourcing. VREF is a sensitive signal; the output of the VREF circuit has a high output impedance so that the 0.1µF reference capacitor provides attenuation even to low-frequency noise, such as 50Hz noise on the VREF output. Therefore VREF is intended for the CS5480 only and should not be connected to any external circuitry. The output impedance is sufficiently high that standard digital multimeters can significantly load this voltage. The accuracy of the metrology IC cannot be guaranteed when a multimeter or any component other than the 0.1µF capacitor is attached to VREF. If it is desired to measure VREF for any reason other than a very coarse indicator of VREF functionality, Cirrus recommends a very high input impedance multimeter such as the Keithley Model 2000 Digital Multimeter be used. Cirrus cannot guarantee the accuracy of the metrology with this meter connected to VREF.

DIGITAL CHARACTERISTICS

- Min / Max characteristics and specifications are guaranteed over all [Recommended Operating Conditions](#).
- Typical characteristics and specifications are measured at nominal supply voltages and $T_A = 25^\circ\text{C}$.
- $V_{DDA} = +3.3\text{V} \pm 10\%$; $G_{NDA} = G_{NDD} = 0\text{V}$. All voltages with respect to 0V.
- $MCLK = 4.096\text{MHz}$.

Parameter	Symbol	Min	Typ	Max	Unit
Master Clock Characteristics					
XIN Clock Frequency Internal Gate Oscillator	MCLK	2.5	4.096	5	MHz
XIN Clock Duty Cycle		40	-	60	%
Filter Characteristics					
Phase Compensation Range (60Hz, OWR = 4000Hz)		-10.79	-	+10.79	°
Input Sampling Rate		-	MCLK/8	-	Hz
Digital Filter Output Word Rate (Both channels)	OWR	-	MCLK/1024	-	Hz
High-pass Filter Corner Frequency -3dB		-	2.0	-	Hz
Input/Output Characteristics					
High-level Input Voltage (All Pins)	V_{IH}	0.6(VDDA)	-	-	V
Low-level Input Voltage (All Pins)	V_{IL}	-	-	0.6	V
High-level Output Voltage (Note 12) DO1-DO3, $I_{out} = +10\text{mA}$ All Other Outputs, $I_{out} = +5\text{mA}$	V_{OH}	VDDA-0.3 VDDA-0.3	- -	- -	V V
Low-level Output Voltage (Note 12) DO1-DO3, $I_{out} = -12\text{mA}$ All Other Outputs, $I_{out} = -5\text{mA}$	V_{OL}	- -	- -	0.5 0.5	V V
Input Leakage Current	I_{in}	-	± 1	± 10	μA
3-state Leakage Current	I_{OZ}	-	-	± 10	μA
Digital Output Pin Capacitance	C_{out}	-	5	-	pF

- Notes: 11. All measurements performed under static conditions.
 12. XOUT pin used for crystal only. Typical drive current < 1 mA.

SWITCHING CHARACTERISTICS

- Min / Max characteristics and specifications are guaranteed over all [Recommended Operating Conditions](#).
- Typical characteristics and specifications are measured at nominal supply voltages and $T_A = 25^\circ\text{C}$.
- $V_{DDA} = +3.3\text{V} \pm 10\%$; $G_{NDA} = G_{NDD} = 0\text{V}$. All voltages with respect to 0V.
- Logic Levels: Logic 0 = 0V, Logic 1 = V_{DDA} .

Parameter	Symbol	Min	Typ	Max	Unit	
Rise Times (Note 13)	DO1-DO3 Any Digital Output Except DO1-DO3	t_{rise}	- 50	- -	1.0 -	μs ns
Fall Times (Note 13)	DO1-DO3 Any Digital Output Except DO1-DO3	t_{fall}	- 50	- -	1.0 -	μs ns
Start-up						
Oscillator Start-up Time	XTAL = 4.096 MHz (Note 14)	t_{ost}	-	60	-	ms
SPI Timing						
Serial Clock Frequency	(Note 15)	SCLK	-	-	2	MHz
Serial Clock	Pulse Width High Pulse Width Low	t_1	200	-	-	ns
		t_2	200	-	-	ns
$\overline{\text{CS}}$ Enable to SCLK Falling		t_3	50	-	-	ns
Data Set-up Time prior to SCLK Rising		t_4	50	-	-	ns
Data Hold Time After SCLK Rising		t_5	100	-	-	ns
SCLK Rising Prior to $\overline{\text{CS}}$ Disable		t_6	1	-	-	μs
SCLK Falling to New Data Bit		t_7	-	-	150	ns
$\overline{\text{CS}}$ Rising to SDO Hi-Z		t_8	-	-	250	ns
UART Timing						
$\overline{\text{CS}}$ Enable to RX START bit		t_9	5	-	-	ns
STOP bit to $\overline{\text{CS}}$ Disable		t_{10}	1	-	-	μs
$\overline{\text{CS}}$ Disable to TX IDLE Hold Time		t_{11}	-	-	250	ns

- Notes:
13. Specified using 10% and 90% points on waveform of interest. Output loaded with 50pF.
 14. Oscillator start-up time varies with crystal parameters. This specification does not apply when using an external clock source.
 15. The maximum SCLK is 2MHz during a byte transaction. The minimum 1 μs idle time is required on the SCLK between two consecutive bytes.

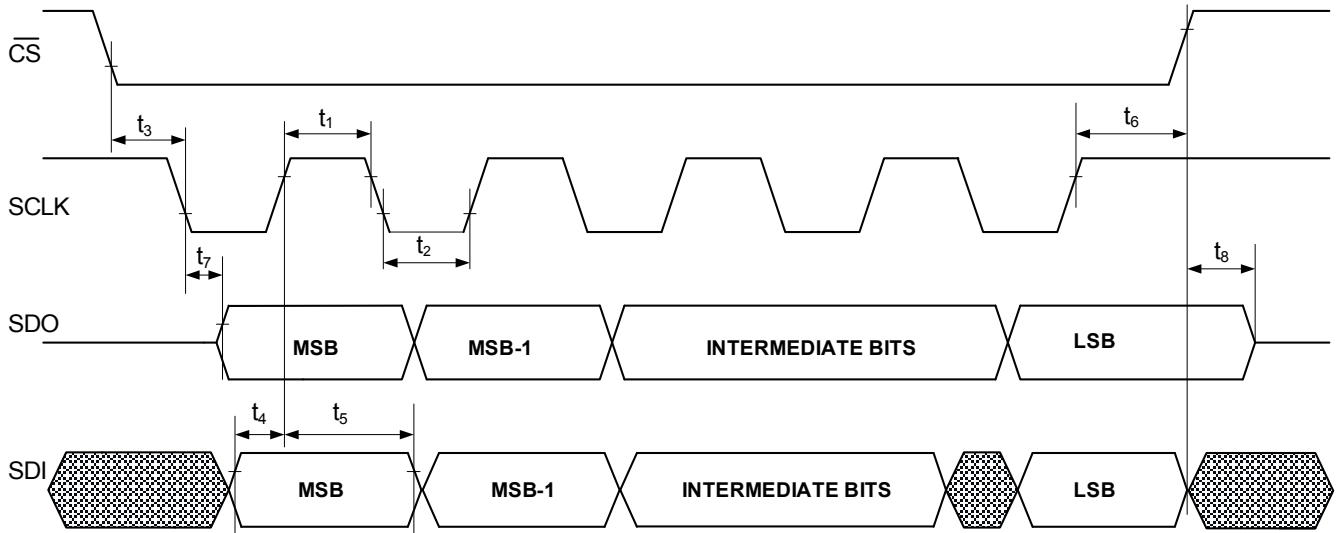
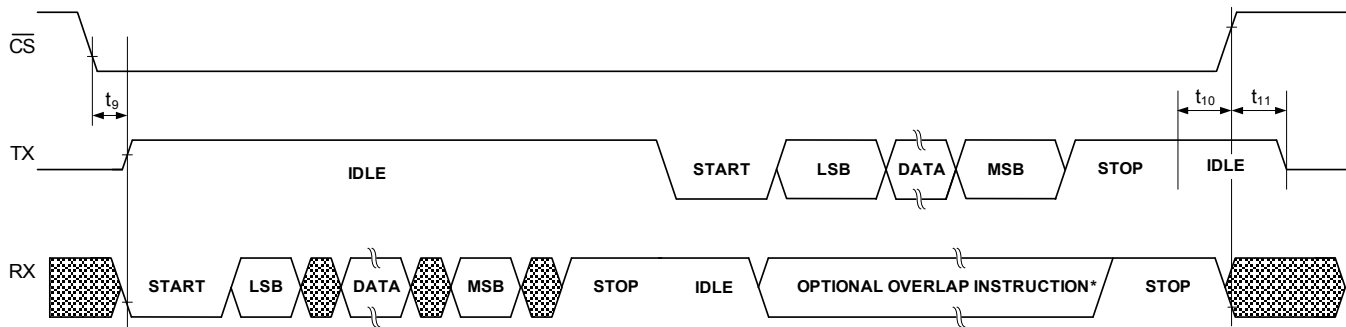


Figure 7. SPI Data and Clock Timing



* Reading registers during the optional overlap instruction requires the start to occur during the last byte transmitted by the part

Figure 8. Multi-device UART Timing

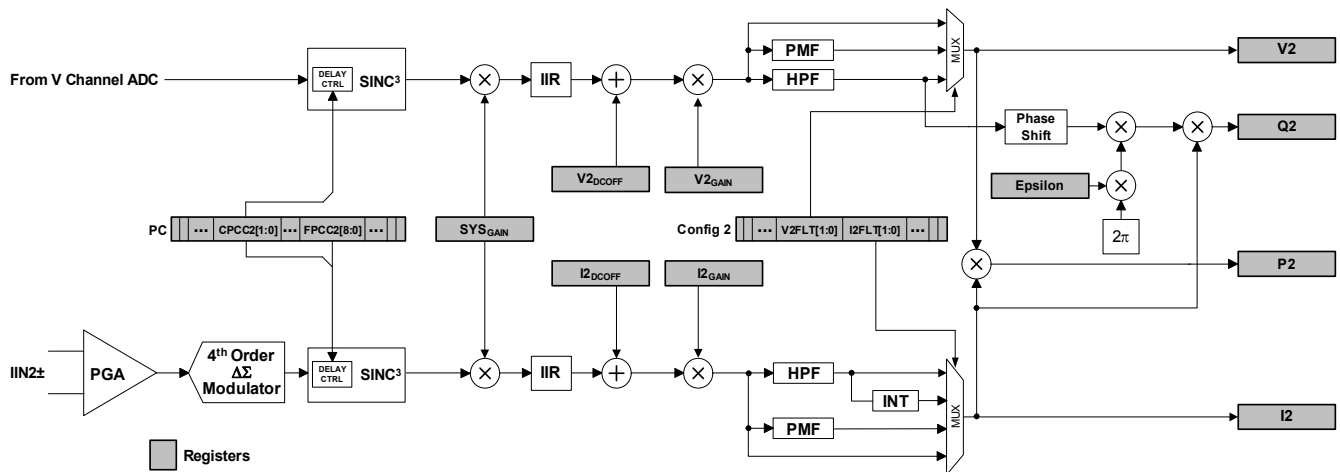
ABSOLUTE MAXIMUM RATINGS

Parameter		Symbol	Min	Typ	Max	Unit
DC Power Supplies	(Note 16)	VDDA	-0.3	-	+4.0	V
Input Current	(Notes 17 and 18)	I _{IN}	-	-	±10	mA
Input Current for Power Supplies		-	-	-	±50	-
Output Current	(Note 19)	I _{OUT}	-	-	100	mA
Power Dissipation	(Note 20)	P _D	-	-	500	mW
Input Voltage	(Note 21)	V _{IN}	-0.3	-	(VDDA) + 0.3	V
Junction-to-Ambient Thermal Impedance	2 Layer Board 4 Layer Board	θ _{JA}	-	55 46	-	°C/W °C/W
Ambient Operating Temperature		T _A	-40	-	85	°C
Storage Temperature		T _{stg}	-65	-	150	°C

- Notes:
16. VDDA and GNDA must satisfy [(VDDA) – (GNDA)] ≤ + 4.0V.
 17. Applies to all pins, including continuous overvoltage conditions at the analog input pins.
 18. Transient current of up to 100mA will not cause SCR latch-up.
 19. Applies to all pins, except VREF±.
 20. Total power dissipation, including all input currents and output currents.
 21. Applies to all pins.

WARNING:

Operation at or beyond these limits may result in permanent damage to the device.
Normal operation is not guaranteed at these extremes.


Figure 9. Signal Flow for V1, I1, P1, Q1 Measurements

4. SIGNAL FLOW DESCRIPTION

The signal flow for voltage measurement, current measurement, and the other calculations is shown in [Figures 9, 10, and 11](#).

The signal flow consists of two current channels and a voltage channel. Even though the CS5480 has only one voltage channel or voltage analog signal input, there are two separate voltage digital signal paths (V1 and V2). Both V1 and V2 come from the same ADC output. Each current and voltage channel has its own differential input pin.

4.1 Analog-to-Digital Converters

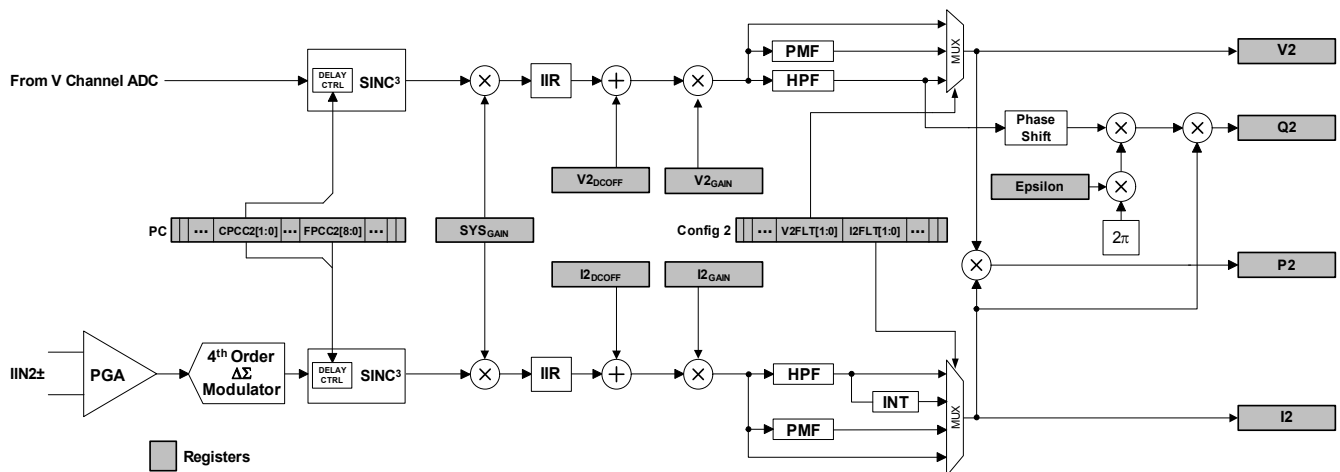
All three input channels use fourth-order delta-sigma modulators to convert the analog inputs to single-bit digital data streams. The converters sample at a rate of $MCLK/8$. This high sampling provides a wide dynamic range and simplifies anti-alias filter design.

4.2 Decimation Filters

The single-bit modulator output data is widened to 24 bits and down sampled to $MCLK/1024$ with low-pass decimation filters. These decimation filters are third-order Sinc filters. The outputs of the filters are passed through an IIR "anti-sinc" filter.

4.3 IIR Filters

The IIR filters are used to compensate for the amplitude roll-off of the decimation filters. The droop-correction filter flattens the magnitude response of the channel out to the Nyquist frequency, thus allowing for accurate measurements of up to 2kHz ($MCLK = 4.096\text{MHz}$). By default, the IIR filters are enabled. The IIR filters can be bypassed by setting the IIR_OFF bit in the *Config2* register.


Figure 10. Signal Flow for V2, I2, P2, and Q2 Measurements

4.4 Phase Compensation

Phase compensation changes the phase of voltage relative to current by adding a delay in the decimation filters. The amount of phase shift is set by the PC register bits CPCCx[1:0] and FPCCx[8:0] for current channels. For voltage channels, only bits CPCCx[1:0] affect the delay.

Fine phase compensation control bits, FPCCx[8:0], provide up to 1/OWR delay in the current channels. Coarse phase compensation control bits, CPCCx[1:0], provide an additional 1/OWR delay in the current channel or up to 2/OWR delay in the voltage channel. Negative delay in voltage channel can be implemented by setting a longer delay in the current channel than the voltage channel. For a OWR of 4000Hz, the delay range is $\pm 500\mu s$, a phase shift of $\pm 8.99^\circ$ at 50Hz and $\pm 10.79^\circ$ at 60Hz. The step size is 0.008789° at 50Hz and 0.010547° at 60Hz.

4.5 DC Offset and Gain Correction

The system and CS5480 inherently have component tolerances and gain and offset errors, which can be removed using the gain and offset registers. Each measurement channel has its own set of gain and offset registers. For every instantaneous voltage and current sample, the offset and gain values are used to correct DC offset and gain errors in the channel (see section 7. [System Calibration](#) on page 63 for more details).

4.6 High-pass and Phase Matching Filters

Optional high-pass filters (HPF in Figures 9 and 10) remove any DC component from the selected signal paths. Each power calculation contains a current and voltage channel. If an HPF is enabled in only one channel, a phase matching filter (PMF) should be

applied to the other channel to match the phase response of the HPF. For AC power measurement, high-pass filters should be enabled on the voltage and current channels. For information about how to enable and disable the HPF or PMF on each channel, refer to section 6.6.3 [Configuration 2 \(Config2\) – Page 16, Address 0](#) on page 40.

4.7 Digital Integrators

Optional digital integrators (INT in Figures 9 and 10) are implemented on both current channels (I1, I2) to compensate for the 90° phase shift and 20dB/decade gain generated by the Rogowski coil current sensor. When a Rogowski coil is used as the current sensor, the integrator (INT) should be enabled on that current channel. For information about how to enable and disable the INT on each current channel, refer to section 6.6.3 [Configuration 2 \(Config2\) – Page 16, Address 0](#) on page 40.

4.8 Low-rate Calculations

All the RMS and power results come from low-rate calculations by averaging the output word rate (OWR) instantaneous values over N samples where N is the value stored in the *SampleCount* register. The low-rate interval or averaging period is N divided by OWR (4000Hz if MCLK = 4.096MHz). The CS5480 provides two averaging modes for low-rate calculations: Fixed Number of Samples Averaging mode and Line-cycle Synchronized Averaging mode. By default, the CS5480 averages with the Fixed Number of Samples Averaging mode. By setting the AVG_MODE bit in the *Config2* register, the CS5480 will use the Line-cycle Synchronized Averaging mode.

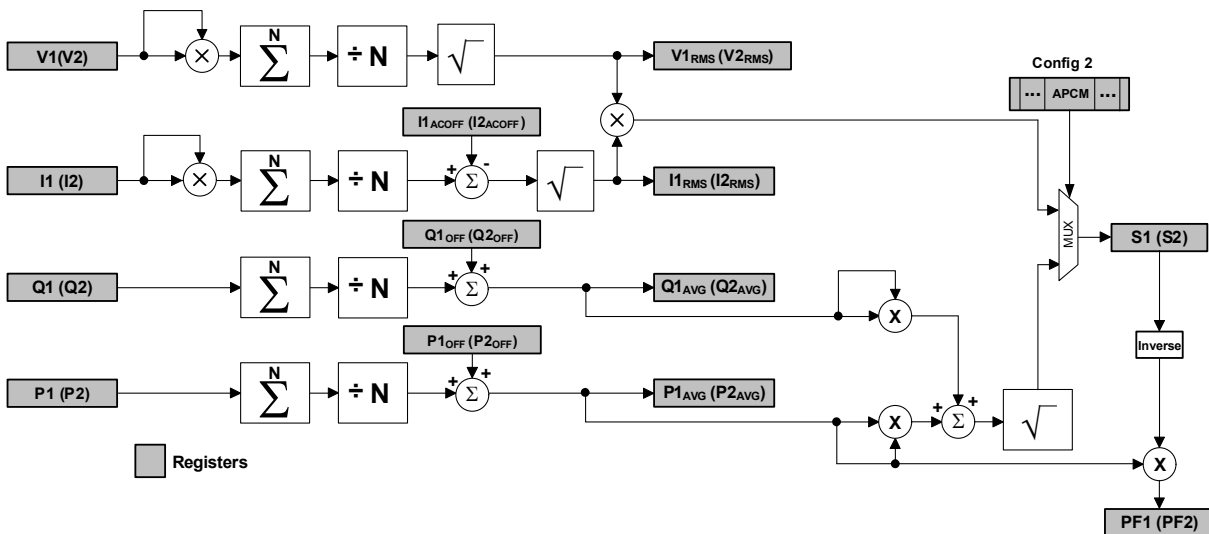


Figure 11. Low-rate Calculations

4.8.1 Fixed Number of Samples Averaging

N is the preset value in the *SampleCount* register and should not be set less than 100. By default, the *SampleCount* is 4000. With $MCLK = 4.096\text{MHz}$, the averaging period is fixed at $N/4000 = 1$ second, regardless of the line frequency.

4.8.2 Line-cycle Synchronized Averaging

When operating in Line-cycle Synchronized Averaging mode, and when line frequency measurement is enabled (see section 5.4 *Line Frequency Measurement* on page 22), the CS5480 uses the voltage (V) channel zero crossings and measured line frequency to automatically adjust N such that the averaging period will be equal to the number of half line-cycles in the *CycleCount* register. For example, if the line frequency is 51Hz, and the *CycleCount* register is set to 100, N will be $4000 \times (100/2)/51 = 3921$ during continuous conversion. N is self-adjusted according to the line frequency; therefore, the averaging period is always close to the whole number of half line-cycles, and the low-rate calculation results will minimize ripple and maximize resolution, especially when the line frequency varies. Before starting a low-rate conversion in Line-cycle Synchronized Averaging mode, the *SampleCount* register should not be changed from its default value of 4000, and bit AFC of the *Config2* register must be set. During continuous conversion, the host processor should not change the *SampleCount* register.

4.8.3 RMS Current and Voltage

The root mean square (RMS in Figure 11) calculations are performed on N instantaneous current and voltage samples using Equation 1:

$$I_{\text{RMS}} = \sqrt{\frac{\sum_{n=0}^{N-1} I_n^2}{N}} \quad V_{\text{RMS}} = \sqrt{\frac{\sum_{n=0}^{N-1} V_n^2}{N}} \quad [\text{Eq. 1}]$$

4.8.4 Active Power

The instantaneous voltage and current samples are multiplied to obtain the instantaneous power ($P1$, $P2$) (see Figures 9 and 11). The product is then averaged over N samples to compute active power ($P1_{\text{AVG}}$, $P2_{\text{AVG}}$).

4.8.5 Reactive Power

Instantaneous reactive power ($Q1$, $Q2$) are sample rate results obtained by multiplying instantaneous current ($I1$, $I2$) by instantaneous quadrature voltage ($V1Q$, $V2Q$), which are created by phase shifting the instantaneous voltage ($V1$, $V2$) 90 degrees using first-order integrators (see Figures 9 and 11). The gain of these integrators is inversely related to line frequency, so their gain is corrected by the *Epsilon* register, which is based on line frequency. Reactive power ($Q1_{\text{AVG}}$, $Q2_{\text{AVG}}$) is generated by integrating the instantaneous quadrature power over N samples.

4.8.6 Apparent Power

By default, the CS5480 calculates the apparent power ($S1$, $S2$) as the product of RMS voltage and current as shown in Equation 2:

$$S = V_{\text{RMS}} \times I_{\text{RMS}} \quad [\text{Eq. 2}]$$

The CS5480 also provides an alternate apparent power calculation method, which uses real power ($P1_{\text{AVG}}$, $P2_{\text{AVG}}$) and reactive power ($Q1_{\text{AVG}}$, $Q2_{\text{AVG}}$) to calculate apparent power, as shown in Equation 3:

$$S = \sqrt{Q_{\text{AVG}}^2 + P_{\text{AVG}}^2} \quad [\text{Eq. 3}]$$

The APCM bit in the *Config2* register controls which method is used for apparent power calculation.

4.8.7 Peak Voltage and Current

Peak current ($I1_{\text{PEAK}}$, $I2_{\text{PEAK}}$) and peak voltage (V_{PEAK}) are calculated over N samples and recorded in the corresponding channel peak register documented in the register map. This peak value is updated every N samples.

4.8.8 Power Factor

Power factor ($PF1$, $PF2$) is active power divided by apparent power as shown in Equation 4. The sign of the power factor is determined by the active power.

$$PF = \frac{P_{\text{ACTIVE}}}{S} \quad [\text{Eq. 4}]$$

4.9 Average Active Power Offset

The average active power offset registers, $P1_{\text{OFF}}$ ($P2_{\text{OFF}}$), can be used to offset erroneous power sources resident in the system not originating from the power line. Residual power offsets are usually caused by crosstalk into current channels from voltage channels, or from ripple on the meter's or chip's power supply, or from inductance from a nearby transformer.

These offsets can be either positive or negative, indicating crosstalk coupling either in phase or out of phase with the applied voltage input. The power offset registers can compensate for either condition.

To use this feature, measure the average power at no load. Take the measured result (from the $P1_{AVG}$ ($P2_{AVG}$) register), invert (negate) the value, and write it to the associated average active power offset register, $P1_{OFF}$ ($P2_{OFF}$).

4.10 Average Reactive Power Offset

The average reactive power offset registers, $Q1_{OFF}$ ($Q2_{OFF}$), can be used to offset erroneous power sources resident in the system not originating from the

power line. Residual reactive power offsets are usually caused by crosstalk into current channels from voltage channels, or from ripple on the meter's or chip's power supply, or from inductance from a nearby transformer.

These offsets can be either positive or negative, depending on the phase angle between the crosstalk coupling and the applied voltage. The reactive power offset registers can compensate for either condition. To use this feature, measure the average reactive power at no load. Take the measured result from the $Q1_{AVG}$ ($Q2_{AVG}$) register, invert (negate) the value and write it to the associated reactive power offset register, $Q1_{OFF}$ ($Q2_{OFF}$).

5. FUNCTIONAL DESCRIPTION

5.1 Power-on Reset

The CS5480 has an internal power supply supervisor circuit that monitors the VDDA and VDDD power supplies and provides the master reset to the chip. If any of these voltages are in the reset range, the master reset is triggered.

The CS5480 has dedicated power-on reset (POR) circuits for the analog supply and digital supply. During power-up, both supplies have to be above the rising threshold for the master reset to be de-asserted.

Each POR is divided into two blocks: rough and fine. Rough POR triggers the fine POR. Rough POR depends only on the supply voltage. The trip point for the fine POR is dependent on bandgap voltage for precise control. The POR circuit also acts as a brownout detect. The fine POR detects supply drops and asserts the master reset. The rough and fine PORs have hysteresis in their rise and fall thresholds, which prevents the reset signal from chattering.

Figure 9 shows the POR outputs for each of the power supplies. The POR_Fine_VDDA and POR_Fine_VDDD signals are AND-ed to form the actual power-on reset signal to the digital circuitry. The digital circuitry, in turn, holds the master reset signal for 130ms and then de-asserts the master reset.

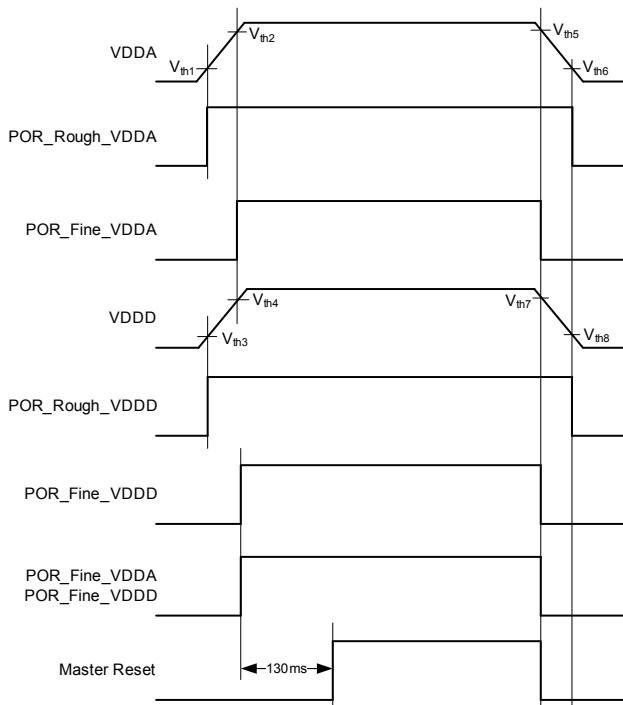


Figure 12. Power-on Reset Timing

Table 1. POR Thresholds

Typical POR Threshold		Rising	Falling
VDDA	Rough	$V_{th1} = 2.34V$	$V_{th6} = 2.06V$
	Fine	$V_{th2} = 2.77V$	$V_{th5} = 2.59V$
VDDD	Rough	$V_{th3} = 1.20V$	$V_{th8} = 1.06V$
	Fine	$V_{th4} = 1.51V$	$V_{th7} = 1.42V$

5.2 Power Saving Modes

Power Saving modes for the CS5480 are accessed through the Host Commands (see section [6.1 Host Commands](#) on page 29).

- Standby: Powers down all the ADCs, rough buffer, and the temperature sensor. Standby mode disables the system time calculations. Use the wake-up command to come out of standby mode.
- Wake-up: Clears the ADC power-down bits and starts the system time calculations.

After any of these commands are completed, the DRDY bit is set in the *Status0* register.

5.3 Zero-crossing Detection

Zero-crossing detection logic is implemented in the CS5480. One current and one voltage channel can be selected for zero-crossing detection. The IZX_CH control bit in the *Config0* register is used to select the zero-crossing channel. A low-pass filter can be enabled by setting ZX_LPF bit in register *Config2*. The low-pass filter has a cut-off frequency of 80Hz. It is used to eliminate any harmonics and help the zero-crossing detection on the 50Hz or 60Hz fundamental component. The zero-crossing level registers are used to set the minimum threshold over which the channel peak has to exceed in order for the zero-crossing detection logic to function. There are two separate zero-crossing level registers: VZX_{LEVEL} is the threshold for the voltage channels, and IZX_{LEVEL} is the threshold for the current channels.

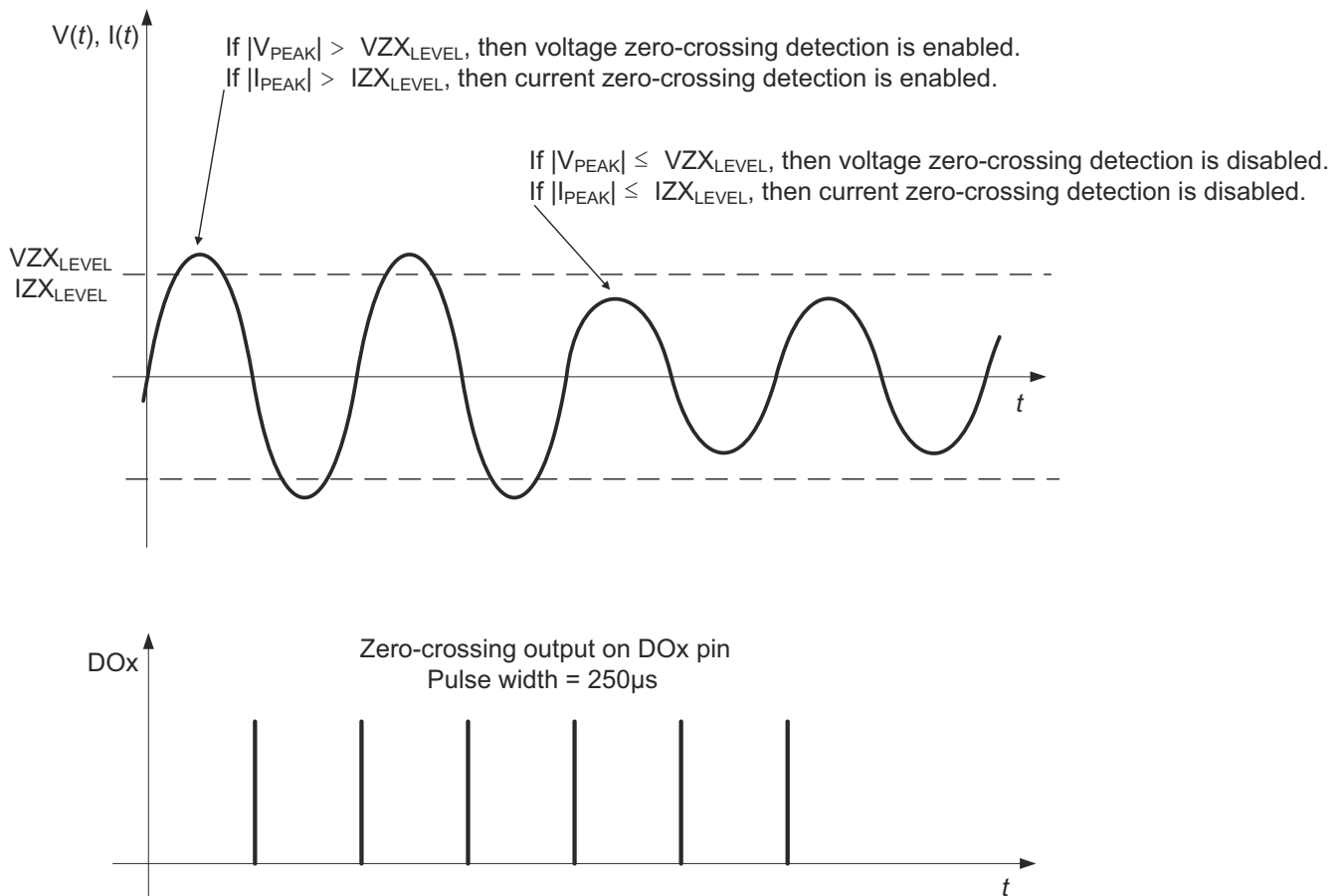


Figure 13. Zero-crossing Level and Zero-crossing Output on DOx

5.4 Line Frequency Measurement

If the Automatic Frequency Calculation (AFC) bit in the *Config2* register is set, the line frequency measurement on a voltage channel will be enabled. The line frequency measurement is based on a number of voltage channel zero crossings. This number is 100 by default and configurable through the ZX_{NUM} register (see section 6.6.7 on page 43). The *Epsilon* register will be updated automatically with the line frequency information. The Frequency Update (FUP) bit in the *Status0* interrupt status register is set when the frequency calculation is completed. When the line frequency is 50Hz and the ZX_{NUM} register is 100, the *Epsilon* register is updated

every one second with a resolution of less than 0.1%. A bigger zero-crossing number in the ZX_{NUM} register will increase both line frequency measurement resolution and period. Note that the CS5480 line frequency measurement function does not support the line frequency out of the range of 40Hz to 75Hz.

The *Epsilon* register is also used to set the gain of the 90° phase shift filter used in the quadrature power calculation. The value in the *Epsilon* register is the ratio of the line frequency to the output word rate (OWR). For 50Hz line frequency and 4000Hz OWR, *Epsilon* is 50/4000 (0.0125) (the default). For 60Hz line frequency, it is 60/4000 (0.015).

5.5 Meter Configuration Modes

There are two distinct meter configuration modes in the CS5480 that affect how the total active, reactive, and apparent power calculations are performed. The CS5480 has power results for each current channel as well as total power registers (P_{SUM} , Q_{SUM} , and S_{SUM}). The total power registers are calculated from either one or both channels, depending on the meter configuration modes. See Table 2 for power calculations in each mode.

The Meter Configuration (MCFG) bits in the configuration (*Config2*) register set the meter configuration modes. For each meter mode, the current channels are interpreted differently. In the one voltage and two line currents (1V – 2I) mode, the CS5480 treats the two currents as individual contributors to the overall power. In the one voltage, one line current, and one neutral current (1V – 1I – 1N) mode, the currents are treated as duplicate copies of the same load current, and the total power is calculated from the highest current or the one the customer has specified. The MCFG multiplexers in Figure 14 show the data path for both modes.

Table 2. Meter Configuration Modes

Meter Mode	MCFG [1:0]	Total Power Calculations
1V-2I	01	$P_{sum} = \frac{P1_{avg} + P2_{avg}}{2}$ $Q_{sum} = \frac{Q1_{avg} + Q2_{avg}}{2}$ $S_{sum} = \frac{S1_{avg} + S2_{avg}}{2}$
1V-1I-1N ($I1_{RMS} > I2_{RMS}$) ($P1_{AVG} > P2_{AVG}$)	00 (Default)	$P_{sum} = P1_{avg}$ $Q_{sum} = Q1_{avg}$ $S_{sum} = S1_{avg}$
1V-1I-1N ($I1_{RMS} < I2_{RMS}$) ($P1_{AVG} < P2_{AVG}$)	00 (Default)	$P_{sum} = P2_{avg}$ $Q_{sum} = Q2_{avg}$ $S_{sum} = S2_{avg}$

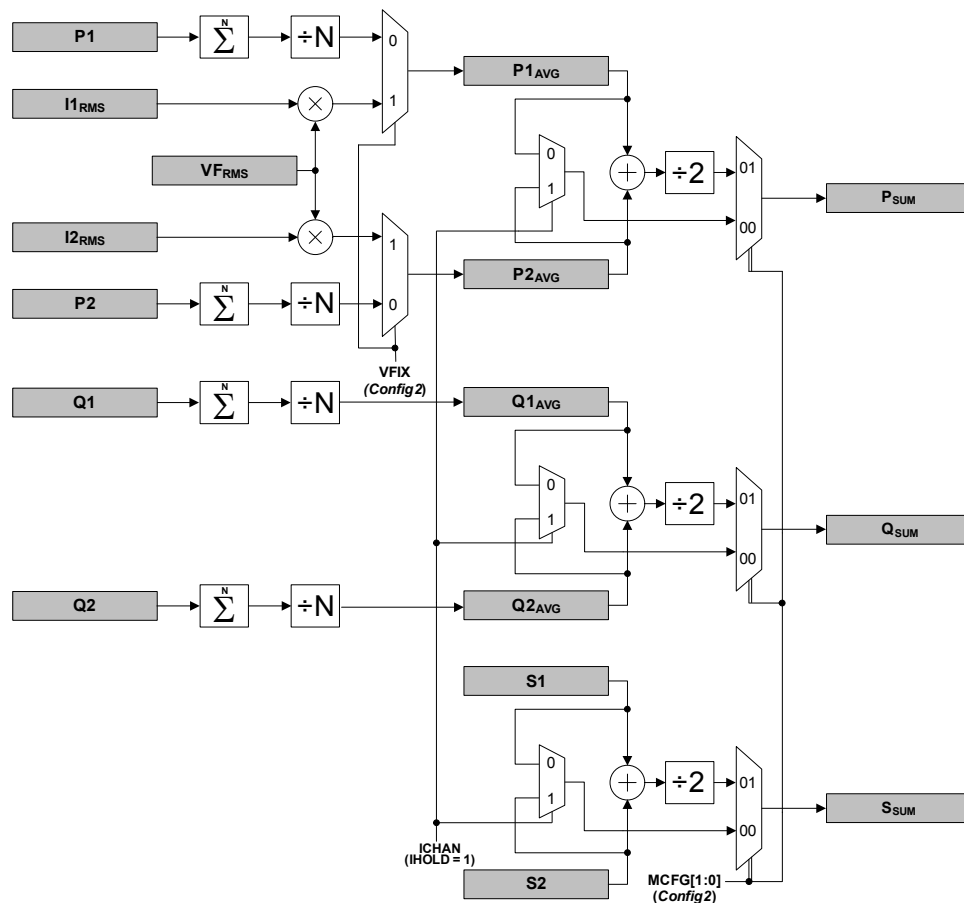


Figure 14. Channel Selection and Tamper Protection Flow

5.6 Tamper Detection and Correction

In the 1V-1I-1N meter configuration mode, the CS5480 provides flexibility for the user and application program to adjust the anti-tampering scheme automatically or manually. Automatic channel selection is enabled by default. For manual channel selection refer to section [5.6.1.2 Manual Channel Selection](#) on page 25.

The CS5480 provides compensation for at least two forms of meter tampering — current and voltage tampering.

5.6.1 Anti-tampering on Current

In the 1V-1I-1N mode, current tampering is deterred by an automatic or manual channel selection scheme. A dedicated second neutral current input is provided in the event that the primary current input is impaired by tampering.

5.6.1.1 Automatic Channel Selection

Automatic channel selection is standard in the CS5480. When tampering is detected, the CS5480 will automatically select the channel with the greater $P_{X_{AVG}}$ or $I_{X_{RMS}}$ magnitude as the contributor to the total power registers. Using either $P_{X_{AVG}}$ or $I_{X_{RMS}}$ magnitude depends on the setting of the IVSP bit in the *Config2* register.

To avoid repeated channel transitions at light load, the Channel Select Minimum Amplitude (P_{MIN} ($I_{RMS_{MIN}}$)) register sets a minimum level for automatic channel selection. When either $P1_{AVG}$ ($I1_{RMS}$) or $P2_{AVG}$ ($I2_{RMS}$) is greater than P_{MIN} ($I_{RMS_{MIN}}$), the CS5480 will enable automatic channel selection. Within the automatic selection region, the Channel Select Level ($I_{chan_{LEVEL}}$) register sets a minimum difference that will allow an automatic channel change. The channel select level provides hysteresis to prevent repeated channel transitions that would occur when the primary line current and neutral current are nearly equal.

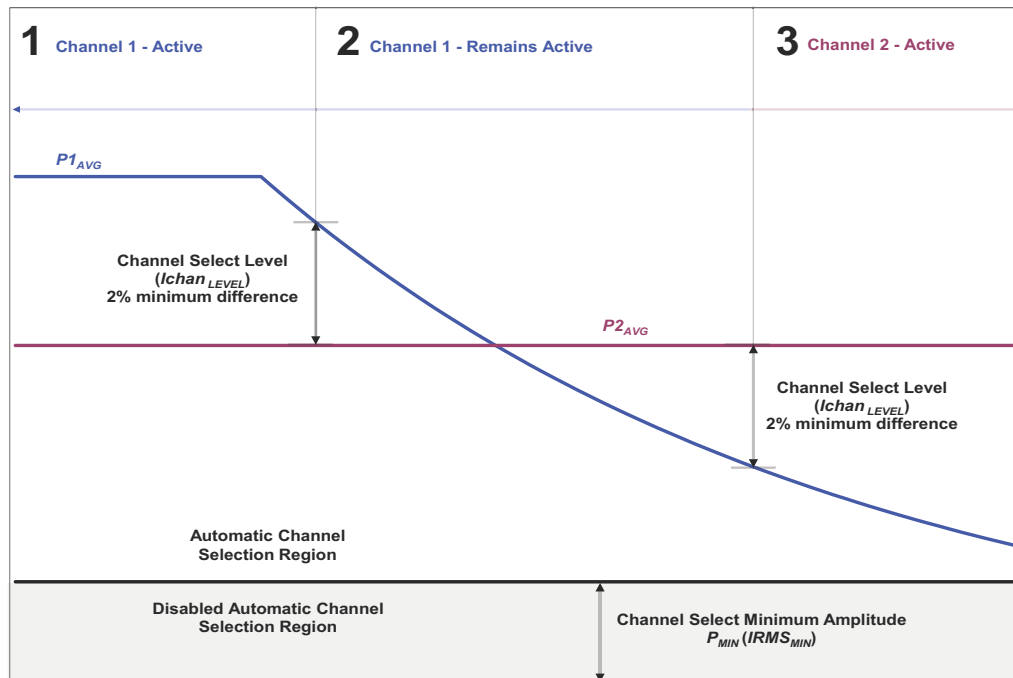


Figure 15. Automatic Channel Selection

Figure 15 shows how the automatic channel selection is performed. In this figure, the magnitudes of $P1_{AVG}$ and $P2_{AVG}$ are used for automatic channel selection (IVSP = 0) and $I_{chan_{LEVEL}} = 1.02$.

- The $P1_{AVG}$ and $P2_{AVG}$ must meet the Channel Select Minimum Amplitude ($I_{chan_{LEVEL}}$). The highest channel is active, $P1_{AVG}$ in this example.

- Even when the active channel ($P1_{AVG}$) moves below the previously lower channel ($P2_{AVG}$), the channel selection does not change.
- The new channel selection is only made when the difference between $P1_{AVG}$ and $P2_{AVG}$ is greater than $2\% \times P1_{AVG}$ or $P2_{AVG} > P1_{AVG} \times I_{chan_{LEVEL}}$ (1.02).

5.6.1.2 Manual Channel Selection

In addition to automatic channel selection anti-tampering scheme, the CS5480 allows the user or application program to select the more appropriate energy channel manually. Configuration 2 (*Config2*) register bit IHOLD disable automatic channel selection, and ICHAN forces the selection of the contributor to the total power registers (see [Figure 14](#)).

5.6.2 Anti-tampering on Voltage

An internal RMS voltage reference is also available in the event that the voltage input has been compromised by tampering.

If the user application detects the voltage input has been impaired, it may choose to use the fixed internal RMS voltage reference in active power calculations by setting the VFIX bit in the Configuration 2 (*Config2*) register. The value of the Voltage Fixed RMS Reference

($V_{F_{RMS}}$) register is by default 0.707107 (full-scale RMS) but can be changed by the application program. [Figure 14](#) shows the entry point for the $V_{F_{RMS}}$ value. $V_{F_{RMS}}$ has no phase relationship to $I1_{RMS}$ or $I2_{RMS}$. Therefore, the $V_{F_{RMS}}$ only affects the active power calculation paths.

5.7 Energy Pulse Generation

The CS5480 provides three independent energy pulse generation blocks (EPG1, EPG2, and EPG3) in order to simultaneously output active, reactive, and apparent energy pulses on any of the three digital output pins (DO1, DO2, and DO3). The energy pulse frequency is proportional to the magnitude of the power. The energy pulse output is commonly used as the test output of a power meter. The host microcontroller can also use the energy pulses to accumulate the energy (see [Figure 16](#)).

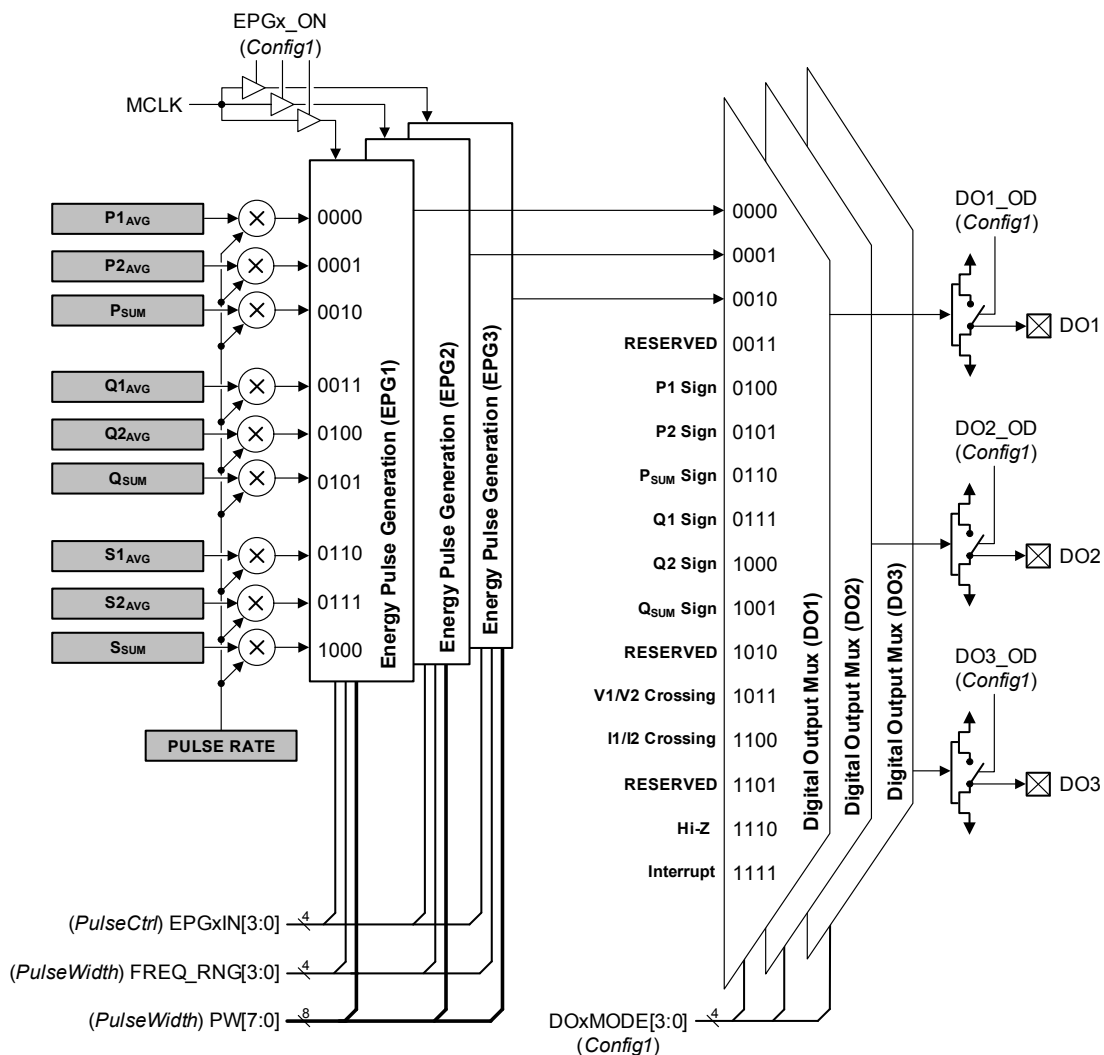


Figure 16. Energy Pulse Generation and Digital Output Control

After reset, all three energy pulse generation blocks are disabled (DOxMODE[3:0] = Hi-Z). To output a desired energy pulse to a DOx pin, follow the steps below:

1. Write to register *PulseWidth* (page 0, address 8) to select the energy pulse width and pulse frequency range.
2. Write to register *PulseRate* (page 18, address 28) to select the energy pulse rate.
3. Write to register *PulseCtrl* (page 0, address 9) to select the input to each energy pulse generation block.
4. Write '1' to bit EPGx_ON of register *Config1* (page 0, address 1) to enable the appropriate energy pulse generation blocks.
5. Wait at least 0.1s.
6. Write bits DOxMODE[3:0] of register *Config1* to select DOx to output pulses from the appropriate energy pulse generation block.
7. Send DSP instruction (0xD5) to begin continuous conversion.

5.7.1 Pulse Rate

Before configuring the *PulseRate* register, the full-scale pulse rate needs to be calculated and the frequency range needs to be specified through *FREQ_RNG*[3:0] bits in the *PulseWidth* register. Refer to section 6.6.6 *Pulse Output Width (PulseWidth) – Page 0, Address 8* on page 43. The *FREQ_RNG*[3:0] bits should be set to b[0110]. For example, if a meter has the meter constant of 1000imp/kWh, a maximum voltage (U_{MAX}) of 240V, and a maximum current (I_{MAX}) of 100A, the maximum pulse rate is:

$$[1000 \times (240 \times 100 / 1000)] / 3600 = 6.6667 \text{ Hz.}$$

Assume the meter is calibrated with U_{MAX} and I_{MAX} , and the *Scale* register contains the default value of 0.6. After gain calibration, the power register value will be 0.36, which represents $240 \times 100 = 24 \text{ kW}$ or 6.6667 Hz pulse output rate. The full-scale pulse rate is:

$$F_{out} = 6.6667 / 0.36 = 18.5185 \text{ Hz.}$$

The CS5480 pulse generation block behaves as follows:

- The pulse rate generated by full-scale (1.0 decimal) power register:

$$F_{OUT} = (PulseRate \times 2000) / 2^{FREQ_RNG}$$

- The *PulseRate* register value is:

$$\begin{aligned} PulseRate &= (F_{OUT} \times 2^{FREQ_RNG}) / 2000 \\ &= (18.5186 \times 64) / 2000 \\ &= 0.5925952 \\ &= 0x4BDA29 \end{aligned}$$

5.7.2 Pulse Width

The *PulseWidth* register defines the Active-low time of each energy pulse:

$$\text{Active-low} = 250 \mu\text{s} + (PulseWidth / 64000).$$

By default, the *PulseWidth* register value is 1, and the Active-low time of each energy pulse is 265.6 μs . Note that the pulse width should never exceed the pulse period.

5.8 Voltage Sag, Voltage Swell, and Overcurrent Detection

Voltage sag detection is used to determine when the voltage falls below a predetermined level for a specified interval of time (duration). Voltage swell and overcurrent detection determines when the voltage or current rises above a predetermined level for a specified interval of time.

The duration is set by the value in the *V1Sag_{DUR}* (*V2Sag_{DUR}*), *V1Swell_{DUR}* (*V2Swell_{DUR}*), and *I1Over_{DUR}* (*I2Over_{DUR}*) registers. Setting any of these to zero (default) disables the detect feature for the given channel. The value is in output word rate (OWR) samples. The predetermined level is set by the values in the *V1Sag_{LEVEL}* (*V2Sag_{LEVEL}*), *V1Swell_{LEVEL}* (*V2Swell_{LEVEL}*), and *I1Over_{LEVEL}* (*I2Over_{LEVEL}*) registers.

For each enabled input channel, the measured value is rectified and compared to the associated level register. Over the duration window, the number of samples above and below the level are counted. If the number of samples below the level exceeds the number of samples above, a *Status0* register bit *V1SAG* (*V2SAG*) is set, indicating a sag condition. If the number of samples above the level exceeds the number of samples below, a *Status0* register bit *V1SWELL* (*V2SWELL*) or *I1OVER* (*I2OVER*) is set, indicating a swell or overcurrent condition (see Figure 17).

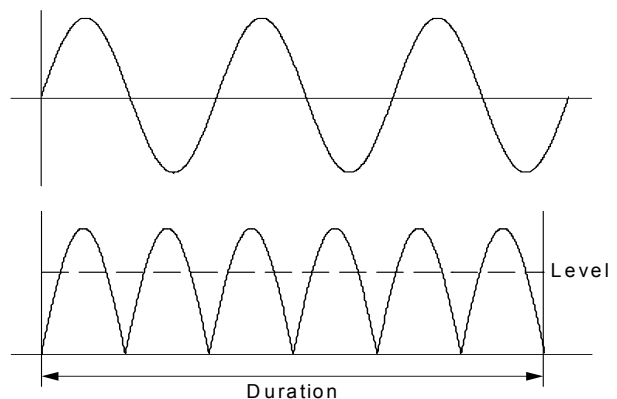


Figure 17. Sag, Swell, and Overcurrent Detect

5.9 Phase Sequence Detection

Polyphase meters using multiple CS5480 devices may be configured to sense the succession of voltage zero-crossings and determine which phase order is in service. The phase sequence detection within CS5480 involves counting the number of OWR samples from a starting point to the next voltage zero-crossing rising edge or falling for each phase. By comparing the count for each phase, the phase sequence can be easily determined: the smallest count is first, and the largest count is last.

The phase sequence detection and control register *PSDC* provides the count control, zero-crossing direction and count results. Writing '0' to bit DONE and '10110' to bits CODE[4:0] of the *PSDC* register followed by a falling edge on the RX pin will initiate the phase sequence detection circuit. The RX pin must be held low for a minimum of 500ns. When the device is in UART mode, it is recommended that a 0xFF command be written to all parts to start the phase sequence detection. Multiple CS5480 devices in a polyphase meter must receive the register writing and the RX falling edge at the same time so that all CS5480 devices starts to count simultaneously. Bit DIR of *PSDC* register specifies the direction of the next zero crossing at which the count stops. If bit DIR is '0', the count stops at the next negative-to-positive zero crossing. If bit DIR is '1', the count stops at the next positive-to-negative zero crossing. When the count stops, the DONE bit will be set by the CS5480, and then the count result of each phase may be read from bits PSCNT[6:0] of the *PSDC* register.

If the PSCNT[6:0] bits are equal to 0x00, 0x7F or greater than 0x64 (for 50Hz) or 0x50 (for 60Hz), then a measurement error has occurred, and the measurement results should be disregarded. This could happen when the voltage input signal amplitude is lower than the amplitude specified in the VZX_{LEVEL} register.

To determine the phase order, the PSCNT[6:0] bit counts from each CS5480 are sorted in ascending order. Figure 18 and Figure 19 illustrate how phase sequence detection is performed.

Phase sequences A, B, and C for the default rising edge transition are illustrated in Figure 18. The PSCNT[6:0] bits from the CS5480 on phase A will have the lowest count, followed by the PSCNT[6:0] bits from the CS5480 on phase B with the middle count, and the PSCNT[6:0] bits from the CS5480 on phase C with the highest count.

Phase sequences C, B, and A for rising edge transition are illustrated in Figure 19. The PSCNT[6:0] bits from the CS5480 on phase C will have the lowest count, followed by the PSCNT[6:0] bits from the CS5480 on phase B with the middle count, and the PSCNT[6:0] bits from the CS5480 on phase A with the highest count.

5.10 Temperature Measurement

The CS5480 has an internal temperature sensor, which is designed to measure temperature and optionally compensate for temperature drift of the voltage reference. Temperature measurements are stored in the Temperature register (*T*), which, by default, is configured to a range of ± 128 degrees on the Celsius ($^{\circ}\text{C}$) scale.

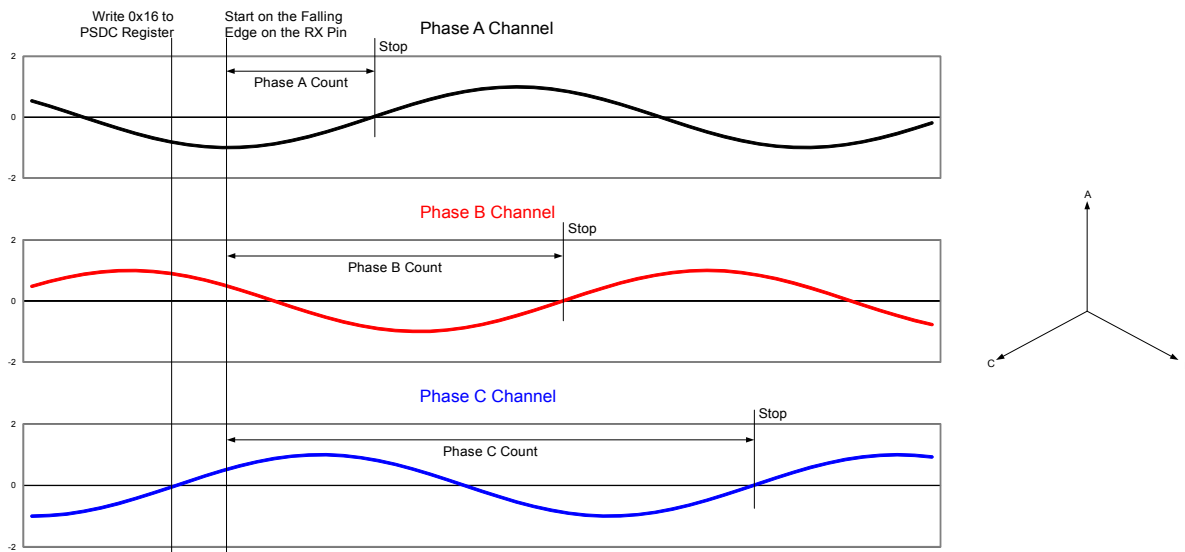


Figure 18. Phase Sequence A, B, C for Rising Edge Transition

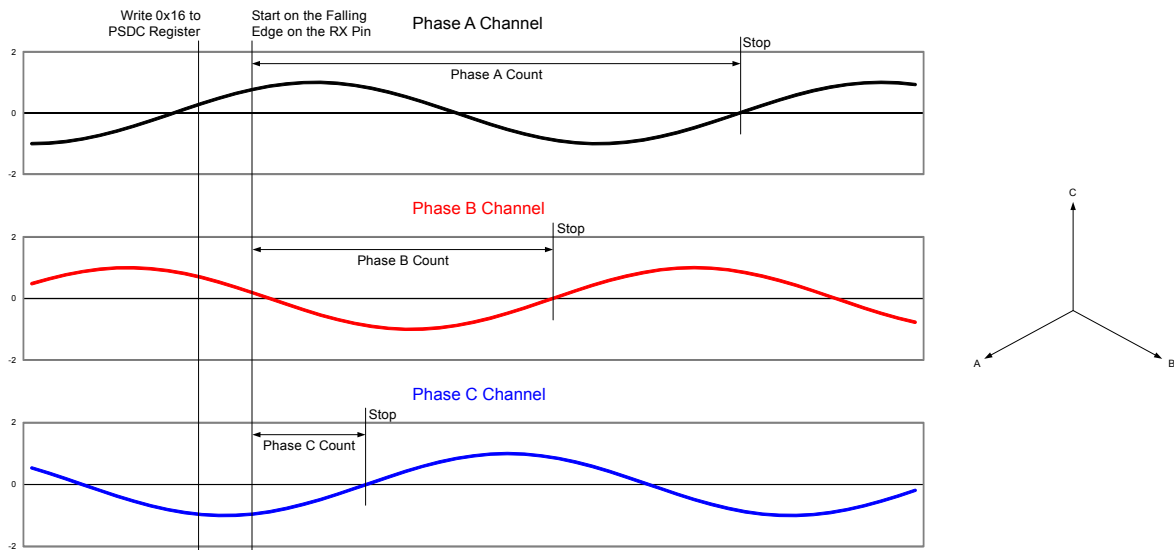


Figure 19. Phase Sequence C, B, A for Rising Edge Transition

The application program can change both the scale and range of temperature by changing the Temperature Gain (T_{GAIN}) and Temperature Offset (T_{OFF}) registers.

T updates every 2240 output word rate (OWR) samples. The *Status0* register bit TUP indicates when T is updated.

5.11 Anti-Creep

The anti-creep (no-load threshold) is used to determine if a no-load condition is detected. The $|P_{SUM}|$ and $|Q_{SUM}|$ are compared to the value in the No-Load Threshold register ($Load_{MIN}$). If both $|P_{SUM}|$ and $|Q_{SUM}|$ are less than this threshold, then P_{SUM} and Q_{SUM} are forced to zero. If S_{SUM} is less than the value in $Load_{MIN}$ register, then S_{SUM} is forced to zero.

5.12 Register Protection

To prevent the critical configuration and calibration registers from unintended changes, the CS5480 provides two enhanced register protection mechanisms: write protection and automatic checksum calculation.

5.12.1 Write Protection

Setting the DSP_LCK[4:0] bits in the *RegLock* register to 0x16 enables the CS5480 DSP lockable registers to be write-protected from the calculation engine. Setting the DSP_LCK[4:0] bits to 0x09 disables the write-protection mode.

Setting the HOST_LCK[4:0] bits in the *RegLock* register to 0x16 enables the CS5480 HOST lockable registers to

be write-protected from the serial interface. Setting the HOST_LCK[4:0] bits to 0x09 disables the write-protection mode.

For registers that are DSP lockable, HOST lockable, or both, refer to sections [6.2 Hardware Registers Summary \(Page 0\)](#) on page 31, [6.3 Software Registers Summary \(Page 16\)](#) on page 33, and [6.4 Software Registers Summary \(Page 17\)](#) on page 35.

5.12.2 Register Checksum

All the configuration and calibration registers are protected by checksum, if enabled. Refer to [6.2 Hardware Registers Summary \(Page 0\)](#) on page 31, [6.3 Software Registers Summary \(Page 16\)](#) on page 33, and [6.4 Software Registers Summary \(Page 17\)](#) on page 35. The checksum for all registers marked with an asterisk symbol (*) is calculated once every low-rate cycle. The checksum result is stored in the *RegChk* register. After the CS5480 has been fully configured and loaded with the calibrations, the host microcontroller should keep a copy of the checksum (*RegChk_Copy*) in its memory. In normal operation, the host microcontroller can read the *RegChk* register and compare it with the saved copy of the *RegChk* register. If the two values mismatch, a reload of configurations and calibrations into the CS5480 is necessary.

The automatic checksum computation can be disabled by setting the REG_CSUM_OFF bit in the *Config2* register.

6. HOST COMMANDS AND REGISTERS

6.1 Host Commands

The first byte sent to the CS5480 SDI/RX pin contains the host command. Four types of host commands are required to read and write registers and instruct the calculation engine. The two most significant bits (MSBs) of the host command defines the function to be performed. The following table depicts the types of commands.

Table 3. Command Format

Function	Binary Value	Note
Register Read	0 0 A ₅ A ₄ A ₃ A ₂ A ₁ A ₀	A _[5:0] specifies the register address.
Register Write	0 1 A ₅ A ₄ A ₃ A ₂ A ₁ A ₀	
Page Select	1 0 P ₅ P ₄ P ₃ P ₂ P ₁ P ₀	P _[5:0] specifies the page.
Instruction	1 1 C ₅ C ₄ C ₃ C ₂ C ₁ C ₀	C _[5:0] specifies the instruction.

6.1.1 Memory Access Commands

The CS5480 memory has 12-bit addresses and is organized as P₅ P₄ P₃ P₂ P₁ P₀ A₅ A₄ A₃ A₂ A₁ A₀ in 64 pages of 64 addresses each. The higher 6 bits specify the page number. The lower 6 bits specify the address within the selected page.

6.1.1.1 Page Select

A page select command is designated by setting the two MSBs of the command to binary '10'. The page select command provides the CS5480 with the page number of the register to access. Register read and write commands access 1 of 64 registers within a specified page. Subsequent register reads and writes can be performed once the page has been selected.

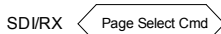


Figure 20. Byte Sequence for Page Select

6.1.1.2 Register Read

A register read is designated by setting the two MSBs of the command to binary '00'. The lower 6 bits of the register read command are the lower 6 bits of the 12-bit register address. After the register read command has been received, the CS5480 will send 3 bytes of register data onto the SDO/TX pin.



Figure 21. Byte Sequence for Register Read

6.1.1.3 Register Write

A register write command is designated by setting the two MSBs of the command to binary '01'. The lower 6 bits of the register write command are the lower 6 bits of the 12-bit register address. A register write command must be followed by 3 bytes of data.



Figure 22. Byte Sequence for Register Write

6.1.2 Instructions

An instruction command is designated by setting the two MSBs of the command to binary '11'. An Instruction command will interrupt any process currently running and initiate a new process in the CS5480.

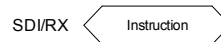


Figure 23. Byte Sequence for Instructions

These new processes include calibration, power control, and soft reset. The following table depicts the types of instructions. Note that when the CS5480 is in continuous conversion mode, an unexpected or invalid instruction command could cause the device to stop continuous conversion and enter an unexpected operation mode. The host processor should keep monitoring the CS5480 operation status and react accordingly.

Table 4. Instruction Format

Function	Binary Value	Note	
Controls	0 C ₄ C ₃ C ₂ C ₁ C ₀	C _[5] specifies the instruction type: 0 = Controls 1 = Calibrations	
	0 00001 - Software Reset		
	0 00010 - Standby		
	0 00011 - Wakeup		
	0 10100 - Single Conv.		
	0 10101 - Continuous Conv.		
Calibrations	0 11000 - Halt Conv.	For calibrations, C _[4:3] specifies the type of calibration. *AC Offset calibration valid only for current channel	
	1 C ₄ C ₃ C ₂ C ₁ C ₀		
	1 00C ₂ C ₁ C ₀ DC Offset		
	1 10C ₂ C ₁ C ₀ AC Offset*		
	1 11C ₂ C ₁ C ₀ Gain		
	1 C ₄ C ₃ C ₂ C ₁ C ₀		For calibrations, C _[2:0] specifies the channel(s).
	1 C ₄ C ₃ 0 0 1 I1		
1 C ₄ C ₃ 0 1 0 V1			
1 C ₄ C ₃ 0 1 1 I2			
1 C ₄ C ₃ 1 0 0 V2			
1 C ₄ C ₃ 1 1 0 All Four			

6.1.3 Checksum

To improve the communication reliability on the serial interface, the CS5480 provides a checksum mechanism on transmitted and received signals. Checksum is disabled by default but can be enabled by setting the appropriate bit in the *SerialCtrl* register. When enabled, both host and CS5480 are expected to send one additional checksum byte after the normal command byte and the applicable 3-byte register data has been transmitted.

The checksum is calculated by subtracting each transmit byte from 0xFF. Any overflow is truncated and the result wraps. The CS5480 executes the command only if the checksum transmitted by the host matches the checksum calculated locally. Otherwise, it sets a status bit (RX_CSUM_ERR in the *Status0* register), ignores the command, and clears the serial interface in preparation for the next transmission.

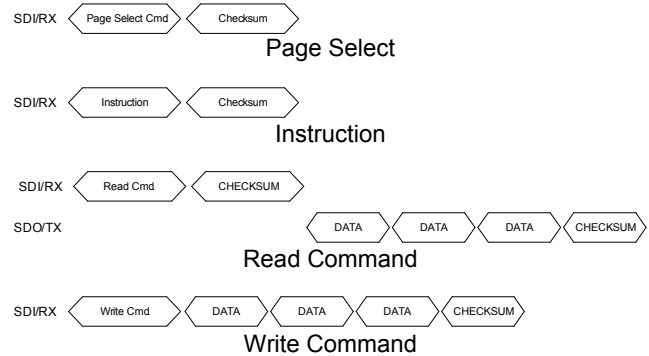


Figure 24. Byte Sequence for Checksum

6.1.4 Serial Time Out

In case a transaction from the host is not completed (for example, a data byte is missing in a register write), a time out circuit will reset the interface after 128ms. This will require that each byte be sent from the host within 128ms of the previous byte.

6.2 Hardware Registers Summary (Page 0)

<u>Address²</u>	<u>RA[5:0]</u>	<u>Name</u>	<u>Description¹</u>	<u>DSP³</u>	<u>HOST³</u>	<u>Default</u>
0*	00 0000	Config0	Configuration 0	Y	Y	0x C0 2000
1*	00 0001	Config1	Configuration 1	Y	Y	0x 00 EEEE
2	00 0010	-	Reserved			-
3*	00 0011	Mask	Interrupt Mask	Y	Y	0x 00 0000
4	00 0100	-	Reserved			-
5*	00 0101	PC	Phase Compensation Control	Y	Y	0x 00 0000
6	00 0110	-	Reserved			-
7*	00 0111	SerialCtrl	UART Control	Y	Y	0x 02 004D
8*	00 1000	PulseWidth	Energy Pulse Width	Y	Y	0x 00 0001
9*	00 1001	PulseCtrl	Energy Pulse Control	Y	Y	0x 00 0000
10	00 1010	-	Reserved			-
11	00 1011	-	Reserved			-
12	00 1100	-	Reserved			-
13	00 1101	-	Reserved			-
14	00 1110	-	Reserved			-
15	00 1111	-	Reserved			-
16	01 0000	-	Reserved			-
17	01 0001	-	Reserved			-
18	01 0010	-	Reserved			-
19	01 0011	-	Reserved			-
20	01 0100	-	Reserved			-
21	01 0101	-	Reserved			-
22	01 0110	-	Reserved			-
23	01 0111	Status0	Interrupt Status	N	N	0x 80 0000
24	01 1000	Status1	Chip Status 1	N	N	0x 80 1800
25	01 1001	Status2	Chip Status 2	N	N	0x 00 0000
26	01 1010	-	Reserved			-
27	01 1011	-	Reserved			-
28	01 1100	-	Reserved			-
29	01 1101	-	Reserved			-
30	01 1110	-	Reserved			-
31	01 1111	-	Reserved			-
32	10 0000	-	Reserved			-
33	10 0001	-	Reserved			-
34*	10 0010	RegLock	Register Lock Control	N	N	0x 00 0000
35	10 0011	-	Reserved			-
36	10 0100	V1 _{PEAK}	V1 Peak Voltage	N	Y	0x 00 0000
37	10 0101	I1 _{PEAK}	I1 Peak Current	N	Y	0x 00 0000
38	10 0110	V2 _{PEAK}	V2 Peak Voltage	N	Y	0x 00 0000
39	10 0111	I2 _{PEAK}	I2 Peak Current	N	Y	0x 00 0000
40	10 1000	-	Reserved			-
41	10 1001	-	Reserved			-
42	10 1010	-	Reserved			-
43	10 1011	-	Reserved			-
44	10 1100	-	Reserved			-
45	10 1101	-	Reserved			-
46	10 1110	-	Reserved			-
47	10 1111	-	Reserved			-
48	11 0000	PSDC	Phase Sequence Detection & Control	N	Y	0x 00 0000
49	11 0001	-	Reserved			-
50	11 0010	-	Reserved			-

51	11 0011	-	Reserved	-
52	11 0100	-	Reserved	-
53	11 0101	-	Reserved	-
54	11 0110	-	Reserved	-
55	11 0111	ZX _{NUM}	Num. Zero Crosses used for Line Freq. Y	Y 0x 00 0064
56	11 1000	-	Reserved	-
57	11 1001	-	Reserved	-
58	11 1010	-	Reserved	-
59	11 1011	-	Reserved	-
60	11 1100	-	Reserved	-
61	11 1101	-	Reserved	-
62	11 1110	-	Reserved	-
63	11 1111	-	Reserved	-

- Notes:
- (1) Warning: *Do not* write to unpublished or reserved register locations.
 - (2) * Registers with checksum protection.
 - (3) Registers that can be set to write protect from DSP and/or HOST.

6.3 Software Registers Summary (Page 16)

<u>Address²</u>	<u>RA[5:0]</u>	<u>Name</u>	<u>Description¹</u>	<u>DSP³</u>	<u>HOST³</u>	<u>Default</u>
0*	00 0000	Config2	Configuration 2	Y	Y	0x 00 0200
1	00 0001	RegChk	Register Checksum	N	Y	0x 00 0000
2	00 0010	I1	I1 Instantaneous Current	N	Y	0x 00 0000
3	00 0011	V1	V1 Instantaneous Voltage	N	Y	0x 00 0000
4	00 0100	P1	Instantaneous Power 1	N	Y	0x 00 0000
5	00 0101	P1 _{AVG}	Active Power 1	N	Y	0x 00 0000
6	00 0110	I1 _{RMS}	I1 RMS Current	N	Y	0x 00 0000
7	00 0111	V1 _{RMS}	V1 RMS Voltage	N	Y	0x 00 0000
8	00 1000	I2	I2 Instantaneous Current	N	Y	0x 00 0000
9	00 1001	V2	V2 Instantaneous Voltage	N	Y	0x 00 0000
10	00 1010	P2	Instantaneous Power 2	N	Y	0x 00 0000
11	00 1011	P2 _{AVG}	Active Power 2	N	Y	0x 00 0000
12	00 1100	I2 _{RMS}	I2 RMS Current	N	Y	0x 00 0000
13	00 1101	V2 _{RMS}	V2 RMS Voltage	N	Y	0x 00 0000
14	00 1110	Q1 _{AVG}	Reactive Power 1	N	Y	0x 00 0000
15	00 1111	Q1	Instantaneous Reactive Power 1	N	Y	0x 00 0000
16	01 0000	Q2 _{AVG}	Reactive Power 2	N	Y	0x 00 0000
17	01 0001	Q2	Instantaneous Reactive Power 2	N	Y	0x 00 0000
18	01 0010	-	Reserved			-
19	01 0011	-	Reserved			-
20	01 0100	S1	Apparent Power 1	N	Y	0x 00 0000
21	01 0101	PF1	Power Factor 1	N	Y	0x 00 0000
22	01 0110	-	Reserved			-
23	01 0111	-	Reserved			-
24	01 1000	S2	Apparent Power 2	N	Y	0x 00 0000
25	01 1001	PF2	Power Factor 2	N	Y	0x 00 0000
26	01 1010	-	Reserved			-
27	01 1011	T	Temperature	N	Y	0x 00 0000
28	01 1100	-	Reserved			-
29	01 1101	P _{SUM}	Total Active Power	N	Y	0x 00 0000
30	01 1110	S _{SUM}	Total Apparent Power	N	Y	0x 00 0000
31	01 1111	Q _{SUM}	Total Reactive Power	N	Y	0x 00 0000
32*	10 0000	I1 _{DCOFF}	I1 DC Offset	Y	Y	0x 00 0000
33*	10 0001	I1 _{GAIN}	I1 Gain	Y	Y	0x 40 0000
34*	10 0010	V1 _{DCOFF}	V1 DC Offset	Y	Y	0x 00 0000
35*	10 0011	V1 _{GAIN}	V1 Gain	Y	Y	0x 40 0000
36*	10 0100	P1 _{OFF}	Average Active Power 1 Offset	Y	Y	0x 00 0000
37*	10 0101	I1 _{ACOFF}	I1 AC Offset	Y	Y	0x 00 0000
38*	10 0110	Q1 _{OFF}	Average Reactive Power 1 Offset	Y	Y	0x 00 0000
39*	10 0111	I2 _{DCOFF}	I2 DC Offset	Y	Y	0x 00 0000
40*	10 1000	I2 _{GAIN}	I2 Gain	Y	Y	0x 40 0000
41*	10 1001	V2 _{DCOFF}	V2 DC Offset	Y	Y	0x 00 0000
42*	10 1010	V2 _{GAIN}	V2 Gain	Y	Y	0x 40 0000
43*	10 1011	P2 _{OFF}	Average Active Power 2 Offset	Y	Y	0x 00 0000
44*	10 1100	I2 _{ACOFF}	I2 AC Offset	Y	Y	0x 00 0000
45*	10 1101	Q2 _{OFF}	Average Reactive Power 2 Offset	Y	Y	0x 00 0000
46	10 1110	-	Reserved			-
47	10 1111	-	Reserved			-
48	11 0000	-	Reserved			-
49	11 0001	Epsilon	Ratio of Line to Sample Frequency	N	Y	0x 01 999A
50*	11 0010	Ichan _{LEVEL}	Automatic Channel Select Level	Y	Y	0x 82 8F5C

51**	11 0011	SampleCount	Sample Count	N	Y	0x 00 0FA0
52	11 0100	-	Reserved			-
53	11 0101	-	Reserved			-
54*	11 0110	T _{GAIN}	Temperature Gain	Y	Y	0x 06 B716
55*	11 0111	T _{OFF}	Temperature Offset	Y	Y	0x D5 3998
56*	11 1000	P _{MIN} (IRMS _{MIN})	Channel Select Minimum Amplitude	Y	Y	0x 00 624D
57	11 1001	T _{SETTLE}	Filter Settling Time to Conv. Startup	Y	Y	0x 00 001E
58*	11 1010	Load _{MIN}	No Load Threshold	Y	Y	0x 00 0000
59*	11 1011	V _{F_{RMS}}	Voltage Fixed RMS Reference	Y	Y	0x 5A 8279
60*	11 1100	SYS _{GAIN}	System Gain	N	Y	0x 50 0000
61	11 1101	Time	System Time (in samples)	N	Y	0x 00 0000
62	11 1110	-	Reserved			-
63	11 1111	-	Reserved			-

Notes:

(1) Warning: *Do not* write to unpublished or reserved register locations.

(2) * Registers with checksum protection.

** When setting the AVG_MODE bit (AVG_MODE = '1') in the *Config2* register, the device will use the Line-cycle Synchronized Averaging mode and the *CycleCount* register will be included in the checksum. Otherwise the *SampleCount* register will be included.

(3) Registers that can be set to write protect from DSP and/or HOST.

6.4 Software Registers Summary (Page 17)

<u>Address²</u>	<u>RA[5:0]</u>	<u>Name</u>	<u>Description¹</u>	<u>DSP³</u>	<u>HOST³</u>	<u>Default</u>
0*	00 0000	V1Sag _{DUR}	V1 Sag Duration	Y	Y	0x 00 0000
1*	00 0001	V1Sag _{LEVEL}	V1 Sag Level	Y	Y	0x 00 0000
2	00 0010	-	Reserved			-
3	00 0011	-	Reserved			-
4*	00 0100	I1Over _{DUR}	I1 Overcurrent Duration	Y	Y	0x 00 0000
5*	00 0101	I1Over _{LEVEL}	I1 Overcurrent Level	Y	Y	0x 7F FFFF
6	00 0110	-	Reserved			-
7	00 0111	-	Reserved			-
8*	00 1000	V2Sag _{DUR}	V2 Sag Duration	Y	Y	0x 00 0000
9*	00 1001	V2Sag _{LEVEL}	V2 Sag Level	Y	Y	0x 00 0000
10	00 1010	-	Reserved			-
11	00 1011	-	Reserved			-
12*	00 1100	I2Over _{DUR}	I2 Overcurrent Duration	Y	Y	0x 00 0000
13*	00 1101	I2Over _{LEVEL}	I2 Overcurrent Level	Y	Y	0x 7F FFFF
14	00 1110	-	Reserved			-
15	00 1111	-	Reserved			-
16	01 0000	-	Reserved			-
17	01 0001	-	Reserved			-
18	01 0010	-	Reserved			-
19	01 0011	-	Reserved			-
20	01 0100	-	Reserved			-
21	01 0101	-	Reserved			-
22	01 0110	-	Reserved			-
23	01 0111	-	Reserved			-
24	01 1000	-	Reserved			-
25	01 1001	-	Reserved			-
26	01 1010	-	Reserved			-
27	01 1011	-	Reserved			-
28	01 1100	-	Reserved			-
29	01 1101	-	Reserved			-
30	01 1110	-	Reserved			-
31	01 1111	-	Reserved			-

- Notes:
- (1) Warning: *Do not* write to unpublished or reserved register locations.
 - (2) * Registers with checksum protection.
 - (3) Registers that can be set to write protect from DSP and/or HOST.

6.5 Software Registers Summary (Page 18)

<u>Address²</u>	<u>RA[5:0]</u>	<u>Name</u>	<u>Description¹</u>	<u>DSP³</u>	<u>HOST³</u>	<u>Default</u>
24*	01 1000	IZX _{LEVEL}	Zero-Cross Threshold for I-Channel	Y	Y	0x 10 0000
25	01 1001	-	Reserved			-
26	01 1010	-	Reserved			-
27	01 1011	-	Reserved			-
28*	01 1100	PulseRate	Energy Pulse Rate	Y	Y	0x 80 0000
29	01 1101	-	Reserved			-
30	01 1110	-	Reserved			-
31	01 1111	-	Reserved			-
32	10 0000	-	Reserved			-
33	10 0001	-	Reserved			-
34	10 0010	-	Reserved			-
35	10 0011	-	Reserved			-
36	10 0100	-	Reserved			-
37	10 0101	-	Reserved			-
38	10 0110	-	Reserved			-
39	10 0111	-	Reserved			-
40	10 1000	-	Reserved			-
41	10 1001	-	Reserved			-
42	10 1010	-	Reserved			-
43*	10 1011	INT _{GAIN}	Rogowski Coil Integrator Gain	Y	Y	0x 14 3958
44	10 1100	-	Reserved			-
45	10 1101	-	Reserved			-
46*	10 1110	V1Swell _{DUR}	V1 Swell Duration	Y	Y	0x 00 0000
47*	10 1111	V1Swell _{LEVEL}	V1 Swell Level	Y	Y	0x 7F FFFF
48	11 0000	-	Reserved			-
49	11 0001	-	Reserved			-
50*	11 0010	V2Swell _{DUR}	V2 Swell Duration	Y	Y	0x 00 0000
51*	11 0011	V2Swell _{LEVEL}	V2 Swell Level	Y	Y	0x 7F FFFF
52	11 0100	-	Reserved			-
53	11 0101	-	Reserved			-
54	11 0110	-	Reserved			-
55	11 0111	-	Reserved			-
56	11 1000	-	Reserved			-
57	11 1001	-	Reserved			-
58*	11 1010	VZX _{LEVEL}	Zero-Cross Threshold for V-Channel	Y	Y	0x 10 0000
59	11 1011	-	Reserved			-
60	11 1100	-	Reserved			-
61	11 1101	-	Reserved			-
62**	11 1110	CycleCount	Line Cycle Count	N	Y	0x 00 0064
63*	11 1111	Scale	I-Channel Gain Calibration Scale Value	Y	Y	0x 4C CCCC

Notes: (1) Warning: *Do not* write to unpublished or reserved register locations.

(2) * Registers with checksum protection.

** When setting the AVG_MODE bit (AVG_MODE = '1') in the *Config2* register, the device will use the Line-cycle Synchronized Averaging mode and the *CycleCount* register will be included in the checksum. Otherwise the *SampleCount* register will be included.

(3) Registers that can be set to write protect from DSP and/or HOST.

6.6 Register Descriptions

22. "Default" = bit states after power-on or reset
23. DO NOT write a "1" to any unpublished register bit or to a bit published as "0".
24. DO NOT write a "0" to any bit published as "1".
25. DO NOT write to any unpublished register address.

6.6.1 Configuration 0 (Config0) – Page 0, Address 0

23	22	21	20	19	18	17	16
1	1	0	0	-	-	-	-
15	14	13	12	11	10	9	8
-	0	1	0	0	-	-	INT_POL
7	6	5	4	3	2	1	0
I2PGA[1]	I2PGA[0]	I1PGA[1]	I1PGA[0]	-	NO_OSC	IZX_CH	-

Default = 0xC0 2000

[23:9]	Reserved.
INT_POL	Interrupt Polarity. 0 = Active low (Default) 1 = Active high
I2PGA[1:0]	Select PGA gain for I2 channel. 00 = 10x gain (Default) 10 = 50x gain
I1PGA[1:0]	Select PGA gain for I1 channel. 00 = 10x gain (Default) 10 = 50x gain
[3]	Reserved.
NO_OSC	Disable crystal oscillator (making XIN a logic-level input). 0 = Crystal oscillator enabled (Default) 1 = Crystal oscillator disabled
IZX_CH	Select current channel for zero-cross detect. 0 = Selects current channel 1 for zero-cross detect (Default) 1 = Selects current channel 2 for zero-cross detect
[0]	Reserved.

6.6.2 Configuration 1 (Config1) – Page 0, Address 1

23	22	21	20	19	18	17	16
0	EPG3_ON	EPG2_ON	EPG1_ON	0	DO3_OD	DO2_OD	DO1_OD
15	14	13	12	11	10	9	8
1	1	1	0	DO3MODE[3]	DO3MODE[2]	DO3MODE[1]	DO3MODE[0]
7	6	5	4	3	2	1	0
DO2MODE[3]	DO2MODE[2]	DO2MODE[1]	DO2MODE[0]	DO1MODE[3]	DO1MODE[2]	DO1MODE[1]	DO1MODE[0]

Default = 0x00 EEEE

[23] Reserved.

EPG3_ON Enable EPG3 block.
 0 = Disable energy pulse generation block 3 (Default)
 1 = Enable energy pulse generation block 3

EPG2_ON Enable EPG2 block.
 0 = Disable energy pulse generation block 2 (Default)
 1 = Enable energy pulse generation block 2

EPG1_ON Enable EPG1 block.
 0 = Disable energy pulse generation block 1 (Default)
 1 = Enable energy pulse generation block 1

[19] Reserved.

DO3_OD Allow the DO3 pin to be an open-drain output.
 0 = Normal output (Default)
 1 = Open-drain output

DO2_OD Allow the DO2 pin to be an open-drain output.
 0 = Normal output (Default)
 1 = Open-drain output

DO1_OD Allow the DO1 pin to be an open-drain output.
 0 = Normal output (Default)
 1 = Open-drain output

[15:12] Reserved.

DO3MODE[3:0] Output control for DO3 pin.
 0000 = Energy pulse generation block 1 (EPG1) output
 0001 = Energy pulse generation block 2 (EPG2) output
 0010 = Energy pulse generation block 3 (EPG3) output
 0011 = Reserved
 0100 = P1 sign
 0101 = P2 sign
 0110 = P_{SUM} sign
 0111 = Q1 sign
 1000 = Q2 sign
 1001 = Q_{SUM} sign
 1010 = Reserved
 1011 = V1/V2 zero-crossing
 1100 = I1/I2 zero-crossing
 1101 = Reserved
 1110 = Hi-Z, pin not driven (Default)
 1111 = Interrupt

DO2MODE[3:0]	Output control for DO2 pin. 0000 = Energy pulse generation block 1 (EPG1) output 0001 = Energy pulse generation block 2 (EPG2) output 0010 = Energy pulse generation block 3 (EPG3) output 0011 = Reserved 0100 = P1 sign 0101 = P2 sign 0110 = P _{SUM} sign 0111 = Q1 sign 1000 = Q2 sign 1001 = Q _{SUM} sign 1010 = Reserved 1011 = V1/V2 zero-crossing 1100 = I1/I2 zero-crossing 1101 = Reserved 1110 = Hi-Z, pin not driven (Default) 1111 = Interrupt
DO1MODE[3:0]	Output control for DO1 pin. 0000 = Energy pulse generation block 1 (EPG1) output 0001 = Energy pulse generation block 2 (EPG2) output 0010 = Energy pulse generation block 3 (EPG3) output 0011 = Reserved 0100 = P1 sign 0101 = P2 sign 0110 = P _{SUM} sign 0111 = Q1 sign 1000 = Q2 sign 1001 = Q _{SUM} sign 1010 = Reserved 1011 = V1/V2 zero-crossing 1100 = I1/I2 zero-crossing 1101 = Reserved 1110 = Hi-Z, pin not driven (Default) 1111 = Interrupt

6.6.3 Configuration 2 (Config2) – Page 16, Address 0

23	22	21	20	19	18	17	16
VFIX	POS	ICHAN	IHOLD	IVSP	MCFG[1]	MCFG[0]	-
15	14	13	12	11	10	9	8
-	APCM	-	ZX_LPF	AVG_MODE	REG_CSUM_OFF	AFC	I2FLT[1]
7	6	5	4	3	2	1	0
I2FLT[0]	V2FLT[1]	V2FLT[0]	I1FLT[1]	I1FLT[0]	V1FLT[1]	V1FLT[0]	IIR_OFF

Default = 0x00 0200

VFIX	Use internal RMS voltage reference instead of voltage input for average active power. 0 = Use voltage input. (Default) 1 = Use internal RMS voltage reference (V_{RMS}).
POS	Positive energy only. Suppress negative values in $P1_{AVG}$ and $P2_{AVG}$. If a negative value is calculated, a zero result will be stored. 0 = Positive and negative energy (Default) 1 = Positive energy only
ICHAN	Chooses which current channel is used for the P_{SUM} , Q_{SUM} , S_{SUM} registers. Applicable only when MCFG[1:0] = 00 and IHOLD = 1. 0 = P_{SUM} , Q_{SUM} , and S_{SUM} registers are driven by current channel 1 ($P1$) (Default) 1 = P_{SUM} , Q_{SUM} , and S_{SUM} registers are driven by current channel 2 ($P2$).
IHOLD	IHOLD suspends automatic channel selection for total power calculations. Applicable only when MCFG[1:0] = 00. 0 = Energy channel selected automatically by magnitude compare and on IVSP bit (Default) 1 = Energy channel selected by user and depend on ICHAN configuration Refer to Channel Select Level and Channel Select Minimum Amplitude registers ($Ichan_{LEVEL}$) and P_{MIN} ($IRMS_{MIN}$) for the magnitudes compared.
IVSP	Use I_{RMS} results instead of P_{AVG} for automatic energy channel selection. Applicable only when MCFG[1:0] = 00 and IHOLD = 0. 0 = Use $P1_{AVG}$ and $P2_{AVG}$ instead of $I1_{RMS}$ and $I2_{RMS}$ (Default) 1 = Use $I1_{RMS}$ and $I2_{RMS}$ instead of $P1_{AVG}$ and $P2_{AVG}$
MCFG[1:0]	Meter Configuration bits are used to control how the meter interprets the current channels when calculating total power — independently or collectively. 00 = 1V, 1I + Neutral mode; $P_{SUM} = P1_{AVG}$ or $P2_{AVG}$, $Q_{SUM} = Q1_{AVG}$ or $Q2_{AVG}$, $S_{SUM} = S1$ or $S2$ (Default) 01 = 1V, 2I mode; $P_{SUM} = (P1_{AVG} + P2_{AVG})/2$, $Q_{SUM} = (Q1_{AVG} + Q2_{AVG})/2$, $S_{SUM} = (S1 + S2)/2$ 10 = Reserved 11 = Reserved
[16:15]	Reserved.
APCM	Selects the apparent power calculation method. 0 = $V_{X_{RMS}} \times I_{X_{RMS}}$ (Default) 1 = $SQRT(P_{AVG}^2 + Q_{AVG}^2)$
[13]	Reserved.
ZX_LPF	Enable LPF in zero-cross detect. 0 = LPF disabled (Default) 1 = LPF enabled
AVG_MODE	Select averaging mode for low-rate calculations. 0 = Use <i>SampleCount</i> (Default) 1 = Use <i>CycleCount</i>

REG_CSUM_OFF	Disable checksum on critical registers. 0 = Enable checksum on critical registers (Default) 1 = Disable checksum on critical registers
AFC	Enables automatic line frequency measurement which sets <i>Epsilon</i> every time a new line frequency measurement completes. <i>Epsilon</i> is used to control the gain of 90-degree phase shift integrator used in quadrature power calculations. 0 = Disable automatic line frequency measurement 1 = Enable automatic line frequency measurement (Default)
I2FLT[1:0]	Filter enable for current channel 2. 00 = No filter (Default) 01 = High-pass filter (HPF) on current channel 2 10 = Phase-matching filter (PMF) on current channel 2 11 = Rogowski coil integrator (INT) on current channel 2
V2FLT[1:0]	Filter enable for voltage channel 2. 00 = No filter (Default) 01 = High-pass filter (HPF) on voltage channel 2 10 = Phase-matching filter (PMF) on voltage channel 2 11 = Reserved
I1FLT[1:0]	Filter enable for current channel 1. 00 = No filter (Default) 01 = High-pass filter (HPF) on current channel 1 10 = Phase-matching filter (PMF) on current channel 1 11 = Rogowski coil integrator (INT) on current channel 1
V1FLT[1:0]	Filter enable for voltage channel 1. 00 = No filter (Default) 01 = High-pass filter (HPF) on voltage channel 1 10 = Phase-matching filter (PMF) on voltage channel 1 11 = Reserved
IIR_OFF	Bypass IIR filter. 0 = Do not bypass IIR filter (Default) 1 = Bypass IIR filter

6.6.4 Phase Compensation (PC) – Page 0, Address 5

23	22	21	20	19	18	17	16
CPCC2[1]	CPCC2[0]	CPCC1[1]	CPCC1[0]	-	-	FPCC2[8]	FPCC2[7]
15	14	13	12	11	10	9	8
FPCC2[6]	FPCC2[5]	FPCC2[4]	FPCC2[3]	FPCC2[2]	FPCC2[1]	FPCC2[0]	FPCC1[8]
7	6	5	4	3	2	1	0
FPCC1[7]	FPCC1[6]	FPCC1[5]	FPCC1[4]	FPCC1[3]	FPCC1[2]	FPCC1[1]	FPCC1[0]

Default = 0x00 0000

CPCC2[1:0] Coarse phase compensation control for I2 and V2.
 00 = No extra delay
 01 = 1 OWR delay in current channel 2
 10 = 1 OWR delay in voltage channel 2
 11 = 2 OWR delay in voltage channel 2

CPCC1[1:0] Coarse phase compensation control for I1 and V1.
 00 = No extra delay
 01 = 1 OWR delay in current channel 1
 10 = 1 OWR delay in voltage channel 1
 11 = 2 OWR delay in voltage channel 1

[19:18] Reserved.

FPCC2[8:0] Fine phase compensation control for I2 and V2.
 Sets a delay in current, relative to voltage.
 Resolution: 0.008789° at 50Hz and 0.010547° at 60Hz (OWR = 4000)

FPCC1[8:0] Fine phase compensation control for I1 and V1.
 Sets a delay in current, relative to voltage.
 Resolution: 0.008789° at 50Hz and 0.010547° at 60Hz (OWR = 4000)

6.6.5 UART Control (SerialCtrl) – Page 0, Address 7

23	22	21	20	19	18	17	16
-	-	-	-	-	RX_PU_OFF	RX_CSUM_OFF	-
15	14	13	12	11	10	9	8
BR[15]	BR[14]	BR[13]	BR[12]	BR[11]	BR[10]	BR[9]	BR[8]
7	6	5	4	3	2	1	0
BR[7]	BR[6]	BR[5]	BR[4]	BR[3]	BR[2]	BR[1]	BR[0]

Default = 0x02 004D

[23:19] Reserved.

RX_PU_OFF Disable the pull-up resistor on the RX input pin.
 0 = Pull-up resistor enabled (Default)
 1 = Pull-up resistor disabled

RX_CSUM_OFF Disable the checksum on serial port data.
 0 = Enable checksum
 1 = Disable checksum (Default)

[16] Reserved.

BR[15:0] Baud rate (serial bit rate).
 BR[15:0] = Baud Rate_{524288/MCLK}

6.6.6 Pulse Output Width (*PulseWidth*) – Page 0, Address 8

23	22	21	20	19	18	17	16
-	-	-	-	FREQ_RNG[3]	FREQ_RNG[2]	FREQ_RNG[1]	FREQ_RNG[0]
15	14	13	12	11	10	9	8
PW[15]	PW[14]	PW[13]	PW[12]	PW[11]	PW[10]	PW[9]	PW[8]
7	6	5	4	3	2	1	0
PW[7]	PW[6]	PW[5]	PW[4]	PW[3]	PW[2]	PW[1]	PW[0]

Default = 0x00 0001 (265.6µs at OWR = 4kHz)

PulseWidth sets the energy pulse frequency range and the duration of energy pulses.

The actual pulse duration is 250µs plus the contents of *PulseWidth* divided by 64,000. *PulseWidth* is an integer in the range of 1 to 65,535.

[23:20] Reserved.

FREQ_RNG[3:0] Energy pulse (*PulseRate*) frequency range for 0.1% resolution.

0000 = Freq. range: 2kHz–0.238Hz (Default)

0001 = Freq. range: 1kHz–0.1192Hz

0010 = Freq. range: 500Hz–0.0596Hz

0011 = Freq. range: 250Hz–0.0298Hz

0100 = Freq. range: 125Hz–0.0149Hz

0101 = Freq. range: 62.5Hz–0.00745Hz

0110 = Freq. range: 31.25Hz–0.003725Hz

0111 = Freq. range: 15.625Hz–0.0018626Hz

1000 = Freq. range: 7.8125Hz–0.000931323Hz

1001 = Freq. range: 3.90625Hz–0.000465661Hz

1010 = Reserved

...

1111 = Reserved

PW[15:0] Energy Pulse Width.

6.6.7 Zero crossing Number (*ZX_{NUM}*) – Page 0, Address 55

MSB										LSB					
2 ²³	2 ²²	2 ²¹	2 ²⁰	2 ¹⁹	2 ¹⁸	2 ¹⁷	2 ¹⁶	2 ⁶	2 ⁵	2 ⁴	2 ³	2 ²	2 ¹	2 ⁰

Default = 0x00 0064 (100)

ZX_{NUM} is the number of zero crossings used for line frequency measurement. It is an integer in the range of 1 to 8,388,607. Zero should not be used.

6.6.8 Energy Pulse Rate (*PulseRate*) – Page 18, Address 28

MSB										LSB					
-(2 ⁰)	2 ⁻¹	2 ⁻²	2 ⁻³	2 ⁻⁴	2 ⁻⁵	2 ⁻⁶	2 ⁻⁷	2 ⁻¹⁷	2 ⁻¹⁸	2 ⁻¹⁹	2 ⁻²⁰	2 ⁻²¹	2 ⁻²²	2 ⁻²³

Default= 0x80 0000

PulseRate sets the full-scale frequency for the energy pulse outputs.

For a 4kHz OWR rate, the maximum pulse rate is 2kHz. This is a two's complement value in the range of -1≤value<1, with the binary point to the left of the MSB.

Refer to section [5.5 Meter Configuration Modes](#) on page 23 for more information.

6.6.9 Pulse Output Control (PulseCtrl) – Page 0, Address 9

23	22	21	20	19	18	17	16
-	-	-	-	-	-	-	-
15	14	13	12	11	10	9	8
-	-	-	-	EPG3IN[3]	EPG3IN[2]	EPG3IN[1]	EPG3IN[0]
7	6	5	4	3	2	1	0
EPG2IN[3]	EPG2IN[2]	EPG2IN[1]	EPG2IN[0]	EPG1IN[3]	EPG1IN[2]	EPG1IN[1]	EPG1IN[0]

Default = 0x00 0000

This register controls the input to the energy pulse generation block (EPGx).

[23:12] Reserved.

EPGxIN[3:0] Selects the input to the energy pulse generation block (EPGx).

0000 = P1_{AVG} (Default)

0001 = P2_{AVG}

0010 = P_{SUM}

0011 = Q1_{AVG}

0100 = Q2_{AVG}

0101 = Q_{SUM}

0110 = S1

0111 = S2

1000 = S_{SUM}

1001 = Unused

...

1111 = Unused

6.6.10 Register Lock Control (RegLock) – Page 0, Address 34

23	22	21	20	19	18	17	16
-	-	-	-	-	-	-	-
15	14	13	12	11	10	9	8
-	-	-	DSP_LCK[4]	DSP_LCK[3]	DSP_LCK[2]	DSP_LCK[1]	DSP_LCK[0]
7	6	5	4	3	2	1	0
-	-	-	HOST_LCK[4]	HOST_LCK[3]	HOST_LCK[2]	HOST_LCK[1]	HOST_LCK[0]

Default = 0x00 0000

[23:13] Reserved.

DSP_LCK[4:0] DSP_LCK[4:0] = 0x16 sets the DSP lockable registers to be write protected from the CS5480 internal calculation engine. Writing 0x09 unlocks the registers.

[7:5] Reserved.

HOST_LCK[4:0] HOST_LCK[4:0] = 0x16 sets all the registers except *RegLock*, *Status0*, *Status1*, and *Status2* to be write protected from the serial interface. Writing 0x09 unlocks the registers.

6.6.11 Phase Sequence Detection and Control (PSDC) – Page 0, Address 48

23	22	21	20	19	18	17	16
DONE	PSCNT[6]	PSCNT[5]	PSCNT[4]	PSCNT[3]	PSCNT[2]	PSCNT[1]	PSCNT[0]
15	14	13	12	11	10	9	8
-	-	-	-	-	-	-	-
7	6	5	4	3	2	1	0
-	-	DIR	CODE[4]	CODE[3]	CODE[2]	CODE[1]	CODE[0]

Default = 0x00 0000

- DONE** Indicates valid count values reside in PSCNT[6:0].
 0 = Invalid values in PSCNT[6:0]. (Default)
 1 = Valid values in PSCNT[6:0].
- PSCNT[6:0]** Registers the number of OWR samples from the start time to the time when the next zero crossing is detected.
- [15:6]** Reserved.
- DIR** Set the zero-crossing edge direction which will stop PSCNT count.
 0 = Stop count at negative to positive zero-crossing - Rising Edge. (Default)
 1 = Stop count at positive to negative zero-crossing - Falling Edge.
- CODE[4:0]** Write 10110 to this location to enable the phase sequence detection.

6.6.12 Checksum of Critical Registers (RegChk) – Page 16, Address 1

MSB														LSB	
2^{23}	2^{22}	2^{21}	2^{20}	2^{19}	2^{18}	2^{17}	2^{16}	2^6	2^5	2^4	2^3	2^2	2^1	2^0

Default = 0x00 0000

This register contains the checksum of critical registers.

6.6.13 Interrupt Status (Status0) – Page 0, Address 23

23	22	21	20	19	18	17	16
DRDY	CRDY	WOF	-	-	MIPS	V2SWELL	V1SWELL
15	14	13	12	11	10	9	8
P2OR	P1OR	I2OR	I1OR	V2OR	V1OR	I2OC	I1OC
7	6	5	4	3	2	1	0
V2SAG	V1SAG	TUP	FUP	IC	RX_CSUM_ERR	-	RX_TO

Default = 0x80 0000

The *Status0* register indicates a variety of conditions within the chip.

Writing a one to a *Status0* register bit will clear that bit. Writing a '0' to any bit has no effect.

DRDY	Data Ready. During conversion, this bit indicates that low-rate results have been updated. It indicates completion of other host instruction and the reset sequence.
CRDY	Conversion Ready. Indicates that sample rate (output word rate) results have been updated.
WOF	Watchdog timer overflow.
[20:19]	Reserved.
MIPS	MIPS overflow. Sets when the calculation engine has not completed processing a sample before the next one arrives.
V2SWELL (V1SWELL)	V2 (V1) swell event detected.
P2OR (P1OR)	Power out of range. Sets when the measured power would cause the <i>P2</i> (<i>P1</i>) register to overflow.
I2OR (I1OR)	Power out of range. Sets when the measured current would cause the <i>I2</i> (<i>I1</i>) register to overflow.
V2OR (V1OR)	Voltage out of range. Sets when the measured current would cause the <i>V2</i> (<i>V1</i>) register to overflow.
I2OC (I1OC)	<i>I2</i> (<i>I1</i>) overcurrent.
V2SAG (V1SAG)	V2 (V1) sag event detected.
TUP	Temperature updated. Indicates when the Temperature register (<i>T</i>) has been updated.
FUP	Frequency updated. Indicates the <i>Epsilon</i> register has been updated.
IC	Invalid command has been received.
RX_CSUM_ERR	Received data checksum error. Sets to '1' automatically if checksum error is detected on serial port received data.
[1]	Reserved.
RX_TO	SDI/RX time out. Sets to '1' automatically when SDI/RX time out occurs.

6.6.14 Interrupt Mask (Mask) – Page 0, Address 3

23	22	21	20	19	18	17	16
DRDY	CRDY	WOF	-	-	MIPS	V2SWELL	V1SWELL
15	14	13	12	11	10	9	8
P2OR	P1OR	I2OR	I1OR	V2OR	V1OR	I2OC	I1OC
7	6	5	4	3	2	1	0
V2SAG	V1SAG	TUP	FUP	IC	RX_CSUM_ERR	-	RX_TO

Default = 0x00 0000

The *Mask* register is used to control the activation of the $\overline{\text{INT}}$ pin. Writing a '1' to a *Mask* register bit will allow the corresponding *Status0* register bit to activate the $\overline{\text{INT}}$ pin when set.

[23:0] Enable/disable (mask) interrupts.
 0 = Interrupt disabled (Default)
 1 = Interrupt enabled

6.6.15 Chip Status 1 (Status1) – Page 0, Address 24

23	22	21	20	19	18	17	16
-	-	-	-	-	-	-	-
15	14	13	12	11	10	9	8
LCOM[7]	LCOM[6]	LCOM[5]	LCOM[4]	LCOM[3]	LCOM[2]	LCOM[1]	LCOM[0]
7	6	5	4	3	2	1	0
-	-	-	-	TOD	VOD	I2OD	I1OD

Default = 0x80 1800

This register indicates a variety of conditions within the chip.

[23:16] Reserved.
 LCOM[7:0] Indicates the value of the last serial command executed.
 [7:4] Reserved.
 TOD Modulator oscillation has been detected in the temperature ADC.
 VOD Modulator oscillation has been detected in the voltage ADC.
 I2OD (I1OD) Modulator oscillation has been detected in the current2 (current1) ADC.

6.6.16 Chip Status 2 (Status2) – Page 0, Address 25

23	22	21	20	19	18	17	16
-	-	-	-	-	-	-	-
15	14	13	12	11	10	9	8
-	-	-	-	-	-	-	-
7	6	5	4	3	2	1	0
-	-	QSUM_SIGN	Q2_SIGN	Q1_SIGN	PSUM_SIGN	P2_SIGN	P1_SIGN

Default = 0x00 0000

This register indicates a variety of conditions within the chip.

[23:6] Reserved.

QSUM_SIGN Indicates the sign of the value contained in Q_{SUM} .
 0 = positive value
 1 = negative value

Q2_SIGN Indicates the sign of the value contained in $Q2_{AVG}$.
 0 = positive value
 1 = negative value

Q1_SIGN Indicates the sign of the value contained in $Q1_{AVG}$.
 0 = positive value
 1 = negative value

PSUM_SIGN Indicates the sign of the value contained in P_{SUM} .
 0 = positive value
 1 = negative value

P2_SIGN Indicates the sign of the value contained in $P2_{AVG}$.
 0 = positive value
 1 = negative value

P1_SIGN Indicates the sign of the value contained in $P1_{AVG}$.
 0 = positive value
 1 = negative value

6.6.17 Line to Sample Frequency Ratio (Epsilon) – Page 16, Address 49

MSB																LSB
$-(2^0)$	2^{-1}	2^{-2}	2^{-3}	2^{-4}	2^{-5}	2^{-6}	2^{-7}	2^{-17}	2^{-18}	2^{-19}	2^{-20}	2^{-21}	2^{-22}	2^{-23}	

Default = 0x01 999A (0.0125 or 50Hz/4.0kHz)

Epsilon is the ratio of the input line frequency to the OWR.

It can either be written by the application program or calculated automatically from the line frequency (from the voltage channel 1 input) using the AFC bit in the *Config2* register. It is a two's complement value in the range of $-1.0 \leq \text{value} < 1.0$, with the binary point to the right of the MSB. Negative values are not used.

6.6.18 Automatic Channel Select Level ($I_{chan_{LEVEL}}$) – Page 16, Address 50

MSB														LSB	
2^0	2^{-1}	2^{-2}	2^{-3}	2^{-4}	2^{-5}	2^{-6}	2^{-7}	2^{-17}	2^{-18}	2^{-19}	2^{-20}	2^{-21}	2^{-22}	2^{-23}

Default = 0x82 8F5C (1.02 or 2% minimum difference)

Sets the hysteresis level for automatic energy channel selection.

The channel select level register sets the hysteresis level for automatic energy channel selection. If the most-positive value of $P1_{AVG}$ and $P2_{AVG}$ ($I1_{RMS}$ and $I2_{RMS}$) is greater than $I_{chan_{LEVEL}}$ multiplied by the least-positive value, and is also greater than $I_{chan_{MIN}}$, the channel associated with the most-positive value will be used. If not, the previous channel selection will remain.

The value in this register is an unsigned fixed-point value in the range of $0 \leq \text{value} < 2.0$, with the binary point to the right of the MSB. A value of 1.0 or less indicates no hysteresis will be used.

6.6.19 Current Channel Minimum Amplitude (P_{MIN} ($IRMS_{MIN}$)) – Page 16, Address 56

MSB														LSB	
$-(2^0)$	2^{-1}	2^{-2}	2^{-3}	2^{-4}	2^{-5}	2^{-6}	2^{-7}	2^{-17}	2^{-18}	2^{-19}	2^{-20}	2^{-21}	2^{-22}	2^{-23}

Default = 0x00 624D (0.003)

Sets the minimum level for automatic energy channel selection.

The P_{MIN} ($IRMS_{MIN}$) register sets the minimum level for automatic energy channel selection. If the most-positive values of $P1_{AVG}$ (or $I1_{RMS}$) register and $P2_{AVG}$ (or $I2_{RMS}$) register is less than P_{MIN} ($IRMS_{MIN}$), the previous channel selection will remain in use.

It is a two's complement value in the range of $-1.0 \leq \text{value} < 1.0$, with the binary point to the right of the MSB. Negative values are not used.

6.6.20 No Load Threshold ($Load_{MIN}$) – Page 16, Address 58

MSB														LSB	
$-(2^0)$	2^{-1}	2^{-2}	2^{-3}	2^{-4}	2^{-5}	2^{-6}	2^{-7}	2^{-17}	2^{-18}	2^{-19}	2^{-20}	2^{-21}	2^{-22}	2^{-23}

Default = 0x00 0000

$Load_{MIN}$ is used to set the no-load threshold for the anti-creep function.

When the magnitudes of P_{SUM} and Q_{SUM} are less than $Load_{MIN}$, P_{SUM} and Q_{SUM} are forced to zero. When the magnitude of S_{SUM} is less than $Load_{MIN}$, S_{SUM} is forced to zero.

$Load_{MIN}$ is a two's complement value in the range of $-1.0 \leq \text{value} < 1.0$, with the binary point to the right of the MSB. Negative values are not used.

6.6.21 Voltage Fixed RMS Reference (V_{RMS}) – Page 16, Address 59

MSB								LSB							
$-(2^0)$	2^{-1}	2^{-2}	2^{-3}	2^{-4}	2^{-5}	2^{-6}	2^{-7}	2^{-17}	2^{-18}	2^{-19}	2^{-20}	2^{-21}	2^{-22}	2^{-23}

Default = 0x5A 8279 (0.7071068)

The V_{RMS} register contains the internal RMS reference used when voltage input tampering is detected by the application program. The application may choose to set the VFIX bit in the *Config2* register to force full-scale energy accumulation at the V_{RMS} level.

This register holds two's complement value in the range of $0.0 \leq \text{value} < 1.0$, with the binary point to the right of the MSB. Negative values are not used.

6.6.22 Sample Count (*SampleCount*) – Page 16, Address 51

MSB								LSB							
0	2^{22}	2^{21}	2^{20}	2^{19}	2^{18}	2^{17}	2^{16}	2^6	2^5	2^4	2^3	2^2	2^1	2^0

Default = 0x00 0FA0 (4000)

Determines the number of OWR samples to use in calculating low-rate results.

SampleCount (N) is an integer in the range of 100 to 8,388,607. Values less than 100 should not be used.

6.6.23 Cycle Count (*CycleCount*) – Page 18, Address 62

MSB								LSB							
0	2^{22}	2^{21}	2^{20}	2^{19}	2^{18}	2^{17}	2^{16}	2^6	2^5	2^4	2^3	2^2	2^1	2^0

Default = 0x00 0064 (100)

Determines the number of half-line cycles to use in calculating low-rate results when the CS5480 is in Line-cycle Synchronized Averaging mode.

CycleCount is an integer in the range of 1 to 8,388,607. Zero should not be used.

6.6.24 Filter Settling Time for Conversion Startup (T_{SETTLE}) – Page 16, Address 57

MSB								LSB							
2^{23}	2^{22}	2^{21}	2^{20}	2^{19}	2^{18}	2^{17}	2^{16}	2^6	2^5	2^4	2^3	2^2	2^1	2^0

Default = 0x00 001E (30)

Sets the number of OWR samples that will be used to allow filters to settle at the beginning of Conversion and Calibration commands.

This is an integer in the range of 0 to 16,777,215 samples.

6.6.25 System Gain (Sys_{GAIN}) – Page 16, Address 60

MSB										LSB					
$-(2^1)$	2^0	2^{-1}	2^{-2}	2^{-3}	2^{-4}	2^{-5}	2^{-6}	2^{-16}	2^{-17}	2^{-18}	2^{-19}	2^{-20}	2^{-21}	2^{-22}

Default = 0x50 0000 (1.25)

System Gain (Sys_{GAIN}) is applied to all channels.

By default, $Sys_{GAIN} = 1.25$, but can be finely adjusted to compensate for voltage reference error. It is a two's complement value in the range of $-2.0 \leq \text{value} < 2.0$, with the binary point to the right of the second MSB. Values should be kept within 5% of 1.25.

6.6.26 Rogowski Coil Integrator Gain (Int_{GAIN}) – Page 18, Address 43

MSB										LSB					
$-(2^0)$	2^{-1}	2^{-2}	2^{-3}	2^{-4}	2^{-5}	2^{-6}	2^{-7}	2^{-17}	2^{-18}	2^{-19}	2^{-20}	2^{-21}	2^{-22}	2^{-23}

Default = 0x14 3958

Gain for the Rogowski coil integrator. This must be programmed accordingly for 50Hz and 60Hz (0.158 for 50Hz, 0.1875 for 60Hz).

This is a two's complement value in the range of $-1.0 \leq \text{value} \leq 1.0$, with the binary point to the right of the MSB. Negative values are not used.

6.6.27 System Time ($Time$) – Page 16, Address 61

MSB										LSB					
2^{23}	2^{22}	2^{21}	2^{20}	2^{19}	2^{18}	2^{17}	2^{16}	2^6	2^5	2^4	2^3	2^2	2^1	2^0

Default = 0x00 0000

System Time ($Time$) is measured in OWR samples.

This is an unsigned integer in the range of 0 to 16,777,215 samples. At OWR = 4.0kHz, OWR will overflow every 1 hour, 9 minutes, and 54 seconds. $Time$ can be used by the application to manage real-time events.

6.6.28 Voltage 1 Sag Duration ($V1Sag_{DUR}$) – Page 17, Address 0

MSB										LSB					
0	2^{22}	2^{21}	2^{20}	2^{19}	2^{18}	2^{17}	2^{16}	2^6	2^5	2^4	2^3	2^2	2^1	2^0

Default = 0x00 0000

Voltage 1 Sag Duration, $V1Sag_{DUR}$, determines the count of OWR samples utilized to determine a sag event.

These are integers in the range of 0 to 8,388,607 samples. A value of zero disables the feature.

6.6.29 Voltage 1 Sag Level ($V1Sag_{LEVEL}$) – Page 17, Address 1

MSB														LSB	
$-(2^0)$	2^{-1}	2^{-2}	2^{-3}	2^{-4}	2^{-5}	2^{-6}	2^{-7}	2^{-17}	2^{-18}	2^{-19}	2^{-20}	2^{-21}	2^{-22}	2^{-23}

Default = 0x00 0000

Voltage 1 Sag Level, $V1Sag_{LEVEL}$, establishes a threshold at which a sag event is triggered.

This is a two's complement value in the range of $-1.0 \leq \text{value} < 1.0$, with the binary point to the right of the MSB. Negative values are not used.

6.6.30 Current 1 Overcurrent Duration ($I1Over_{DUR}$) – Page 17, Address 4

MSB														LSB	
0	2^{22}	2^{21}	2^{20}	2^{19}	2^{18}	2^{17}	2^{16}	2^6	2^5	2^4	2^3	2^2	2^1	2^0

Default = 0x00 0000

Current 1 Overcurrent Duration, $I1Over_{DUR}$, determines the count of OWR samples utilized to determine an overcurrent event.

This integer is in the range of 0 to 8,388,607 samples. A value of zero disables the feature.

6.6.31 Current 1 Overcurrent Level ($I1Over_{LEVEL}$) – Page 17, Address 5

MSB														LSB	
$-(2^0)$	2^{-1}	2^{-2}	2^{-3}	2^{-4}	2^{-5}	2^{-6}	2^{-7}	2^{-17}	2^{-18}	2^{-19}	2^{-20}	2^{-21}	2^{-22}	2^{-23}

Default = 0x7F FFFF

Current 1 Overcurrent Level, $I1Over_{LEVEL}$, establishes a threshold at which an overcurrent event is triggered.

This is a two's complement value in the range of $-1.0 \leq \text{value} < 1.0$, with the binary point to the right of the MSB. Negative values are not used.

6.6.32 Voltage 2 Sag Duration ($V2Sag_{DUR}$) – Page 17, Address 8

MSB														LSB	
0	2^{22}	2^{21}	2^{20}	2^{19}	2^{18}	2^{17}	2^{16}	2^6	2^5	2^4	2^3	2^2	2^1	2^0

Default = 0x00 0000

Voltage 2 Sag Duration, $V2Sag_{DUR}$, determines the count of OWR samples utilized to determine a sag event.

These are integers in the range of 0 to 8,388,607 samples. A value of zero disables the feature.

6.6.33 Voltage 2 Sag Level ($V2Sag_{LEVEL}$) – Page 17, Address 9

MSB														LSB	
$-(2^0)$	2^{-1}	2^{-2}	2^{-3}	2^{-4}	2^{-5}	2^{-6}	2^{-7}	2^{-17}	2^{-18}	2^{-19}	2^{-20}	2^{-21}	2^{-22}	2^{-23}

Default = 0x00 0000

Voltage 2 Sag Level, $V2Sag_{LEVEL}$, establishes a threshold at which a sag event is triggered.

This is a two's complement value in the range of $-1.0 \leq \text{value} < 1.0$, with the binary point to the right of the MSB. Negative values are not used.

6.6.34 Current 2 Overcurrent Duration ($I2Over_{DUR}$) – Page 17, Address 12

MSB										LSB					
0	2^{22}	2^{21}	2^{20}	2^{19}	2^{18}	2^{17}	2^{16}	2^6	2^5	2^4	2^3	2^2	2^1	2^0

Default = 0x00 0000

Current 2 Overcurrent Duration, $I2Over_{DUR}$, determines the count of OWR samples utilized to determine an overcurrent event.

These are integers in the range of 0 to 8,388,607 samples. A value of zero disables the feature.

6.6.35 Current 2 Overcurrent Level ($I2Over_{LEVEL}$) – Page 17, Address 13

MSB										LSB					
$-(2^0)$	2^{-1}	2^{-2}	2^{-3}	2^{-4}	2^{-5}	2^{-6}	2^{-7}	2^{-17}	2^{-18}	2^{-19}	2^{-20}	2^{-21}	2^{-22}	2^{-23}

Default = 0x7F FFFF

Current 2 Overcurrent Level, $I2Over_{LEVEL}$, establishes a threshold at which an overcurrent event is triggered.

This is a two's complement value in the range of $-1.0 \leq \text{value} < 1.0$, with the binary point to the right of the MSB. Negative values are not used.

6.6.36 Voltage 1 Swell Duration ($V1Swell_{DUR}$) – Page 18, Address 46

MSB										LSB					
0	2^{22}	2^{21}	2^{20}	2^{19}	2^{18}	2^{17}	2^{16}	2^6	2^5	2^4	2^3	2^2	2^1	2^0

Default = 0x00 0000

Voltage 1 Swell Duration, $V1Swell_{DUR}$, determines the count of OWR samples utilized to determine a swell event.

These are integers in the range of 0 to 8,388,607 samples. A value of zero disables the feature.

6.6.37 Voltage 1 Swell Level ($V1Swell_{LEVEL}$) – Page 18, Address 47

MSB										LSB					
$-(2^0)$	2^{-1}	2^{-2}	2^{-3}	2^{-4}	2^{-5}	2^{-6}	2^{-7}	2^{-17}	2^{-18}	2^{-19}	2^{-20}	2^{-21}	2^{-22}	2^{-23}

Default = 0x7F FFFF

Voltage 1 Swell Level, $V1Swell_{LEVEL}$, establishes a threshold at which a swell event is triggered.

This is a two's complement value in the range of $-1.0 \leq \text{value} < 1.0$, with the binary point to the right of the MSB. Negative values are not used.

6.6.38 Voltage 2 Swell Duration ($V2Swell_{DUR}$) – Page 18, Address 50

MSB										LSB					
0	2^{22}	2^{21}	2^{20}	2^{19}	2^{18}	2^{17}	2^{16}	2^6	2^5	2^4	2^3	2^2	2^1	2^0

Default = 0x00 0000

Voltage 2 Swell Duration, $V2Swell_{DUR}$, determines the count of OWR samples utilized to determine a swell event.

These are integers in the range of 0 to 8,388,607 samples. A value of zero disables the feature.

6.6.39 Voltage 2 Swell Level ($V2Swell_{LEVEL}$) – Page 18, Address 51

MSB														LSB	
$-(2^0)$	2^{-1}	2^{-2}	2^{-3}	2^{-4}	2^{-5}	2^{-6}	2^{-7}	2^{-17}	2^{-18}	2^{-19}	2^{-20}	2^{-21}	2^{-22}	2^{-23}

Default = 0x7F FFFF

Voltage 2 Swell Level, $V2Swell_{LEVEL}$, establishes a threshold at which a swell event is triggered.

This is a two's complement value in the range of $-1.0 \leq \text{value} < 1.0$, with the binary point to the right of the MSB. Negative values are not used.

6.6.40 Instantaneous Current 1 ($I1$) – Page 16, Address 2

MSB														LSB	
$-(2^0)$	2^{-1}	2^{-2}	2^{-3}	2^{-4}	2^{-5}	2^{-6}	2^{-7}	2^{-17}	2^{-18}	2^{-19}	2^{-20}	2^{-21}	2^{-22}	2^{-23}

Default = 0x00 0000

$I1$ contains instantaneous current measurements for current channel 1.

This is a two's complement value in the range of $-1.0 \leq \text{value} < 1.0$, with the binary point to the right of the MSB.

6.6.41 Instantaneous Voltage 1 ($V1$) – Page 16, Address 3

MSB														LSB	
$-(2^0)$	2^{-1}	2^{-2}	2^{-3}	2^{-4}	2^{-5}	2^{-6}	2^{-7}	2^{-17}	2^{-18}	2^{-19}	2^{-20}	2^{-21}	2^{-22}	2^{-23}

Default = 0x00 0000

$V1$ contains instantaneous voltage measurements for voltage channel 1.

This is a two's complement value in the range of $-1.0 \leq \text{value} < 1.0$, with the binary point to the right of the MSB.

6.6.42 Instantaneous Active Power 1 ($P1$) – Page 16, Address 4

MSB														LSB	
$-(2^0)$	2^{-1}	2^{-2}	2^{-3}	2^{-4}	2^{-5}	2^{-6}	2^{-7}	2^{-17}	2^{-18}	2^{-19}	2^{-20}	2^{-21}	2^{-22}	2^{-23}

Default = 0x00 0000

$P1$ contains instantaneous power measurements for current and voltage channels 1.

Values in registers $I1$ and $V1$ are multiplied to generate this value. This is a two's complement value in the range of $-1.0 \leq \text{value} < 1.0$, with the binary point to the right of the MSB.

6.6.43 Active Power 1 ($P1_{AVG}$) – Page 16, Address 5

MSB														LSB	
$-(2^0)$	2^{-1}	2^{-2}	2^{-3}	2^{-4}	2^{-5}	2^{-6}	2^{-7}	2^{-17}	2^{-18}	2^{-19}	2^{-20}	2^{-21}	2^{-22}	2^{-23}

Default = 0x00 0000

Instantaneous power is averaged over each low-rate interval ($SampleCount$ samples) and then added with power offset ($P1_{OFF}$) to compute active power ($P1_{AVG}$).

This is a two's complement value in the range of $-1.0 \leq \text{value} < 1.0$, with the binary point to the right of the MSB.

6.6.44 RMS Current 1 ($I1_{RMS}$) – Page 16, Address 6

MSB														LSB	
2^{-1}	2^{-2}	2^{-3}	2^{-4}	2^{-5}	2^{-6}	2^{-7}	2^{-8}	2^{-18}	2^{-19}	2^{-20}	2^{-21}	2^{-22}	2^{-23}	2^{-24}

Default = 0x00 0000

$I1_{RMS}$ contains the root mean square (RMS) values of $I1$, calculated during each low-rate interval.

This is an unsigned value in the range of $0 \leq \text{value} < 1.0$, with the binary point to the left of the MSB.

6.6.45 RMS Voltage 1 ($V1_{RMS}$) – Page 16, Address 7

MSB														LSB	
2^{-1}	2^{-2}	2^{-3}	2^{-4}	2^{-5}	2^{-6}	2^{-7}	2^{-8}	2^{-18}	2^{-19}	2^{-20}	2^{-21}	2^{-22}	2^{-23}	2^{-24}

Default = 0x00 0000

$V1_{RMS}$ contains the root mean square (RMS) value of $V1$, calculated during each low-rate interval.

This is an unsigned value in the range of $0 \leq \text{value} < 1.0$, with the binary point to the left of the MSB.

6.6.46 Instantaneous Current 2 ($I2$) – Page 16, Address 8

MSB														LSB	
$-(2^0)$	2^{-1}	2^{-2}	2^{-3}	2^{-4}	2^{-5}	2^{-6}	2^{-7}	2^{-17}	2^{-18}	2^{-19}	2^{-20}	2^{-21}	2^{-22}	2^{-23}

Default = 0x00 0000

$I2$ contains instantaneous current measurements for current channel 2.

This is a two's complement value in the range of $-1.0 \leq \text{value} < 1.0$, with the binary point to the right of the MSB.

6.6.47 Instantaneous Voltage 2 ($V2$) – Page 16, Address 9

MSB														LSB	
$-(2^0)$	2^{-1}	2^{-2}	2^{-3}	2^{-4}	2^{-5}	2^{-6}	2^{-7}	2^{-17}	2^{-18}	2^{-19}	2^{-20}	2^{-21}	2^{-22}	2^{-23}

Default = 0x00 0000

$V2$ contains instantaneous voltage measurements for voltage channel 1.

This is a two's complement value in the range of $-1.0 \leq \text{value} < 1.0$, with the binary point to the right of the MSB.

6.6.48 Instantaneous Active Power 2 ($P2$) – Page 16, Address 10

MSB														LSB	
$-(2^0)$	2^{-1}	2^{-2}	2^{-3}	2^{-4}	2^{-5}	2^{-6}	2^{-7}	2^{-17}	2^{-18}	2^{-19}	2^{-20}	2^{-21}	2^{-22}	2^{-23}

Default = 0x00 0000

$P2$ contains instantaneous power measurements for current and voltage channels 2.

Values in registers $I2$ and V are multiplied to generate this value. This is a two's complement value in the range of $-1.0 \leq \text{value} < 1.0$, with the binary point to the right of the MSB.

6.6.49 Active Power 2 ($P2_{AVG}$) – Page 16, Address 11

MSB														LSB	
$-(2^0)$	2^{-1}	2^{-2}	2^{-3}	2^{-4}	2^{-5}	2^{-6}	2^{-7}	2^{-17}	2^{-18}	2^{-19}	2^{-20}	2^{-21}	2^{-22}	2^{-23}

Default = 0x00 0000

Instantaneous power is averaged over each low-rate interval (*SampleCount* samples) to compute active power ($P2_{AVG}$).

This is a two's complement value in the range of $-1.0 \leq \text{value} < 1.0$, with the binary point to the right of the MSB.

6.6.50 RMS Current 2 ($I2_{RMS}$) – Page 16, Address 12

MSB														LSB	
2^{-1}	2^{-2}	2^{-3}	2^{-4}	2^{-5}	2^{-6}	2^{-7}	2^{-8}	2^{-18}	2^{-19}	2^{-20}	2^{-21}	2^{-22}	2^{-23}	2^{-24}

Default = 0x00 0000

$I2_{RMS}$ contains the root mean square (RMS) value of $I2$, calculated during each low-rate interval.

This is an unsigned value in the range of $0 \leq \text{value} < 1.0$, with the binary point to the left of the MSB.

6.6.51 RMS Voltage 2 ($V2_{RMS}$) – Page 16, Address 13

MSB														LSB	
2^{-1}	2^{-2}	2^{-3}	2^{-4}	2^{-5}	2^{-6}	2^{-7}	2^{-8}	2^{-18}	2^{-19}	2^{-20}	2^{-21}	2^{-22}	2^{-23}	2^{-24}

Default = 0x00 0000

$V2_{RMS}$ contains the root mean square (RMS) value of $V2$, calculated during each low-rate interval.

This is an unsigned value in the range of $0 \leq \text{value} < 1.0$, with the binary point to the left of the MSB.

6.6.52 Reactive Power 1 ($Q1_{AVG}$) – Page 16, Address 14

MSB														LSB	
$-(2^0)$	2^{-1}	2^{-2}	2^{-3}	2^{-4}	2^{-5}	2^{-6}	2^{-7}	2^{-17}	2^{-18}	2^{-19}	2^{-20}	2^{-21}	2^{-22}	2^{-23}

Default = 0x00 0000

Reactive power 1 ($Q1_{AVG}$) is $Q1$ averaged over each low-rate interval (*SampleCount* samples) and corrected by $Q1_{OFF}$.

This is a two's complement value in the range of $-1.0 \leq \text{value} < 1.0$, with the binary point to the right of the MSB.

6.6.53 Instantaneous Quadrature Power 1 ($Q1$) – Page 16, Address 15

MSB														LSB	
$-(2^0)$	2^{-1}	2^{-2}	2^{-3}	2^{-4}	2^{-5}	2^{-6}	2^{-7}	2^{-17}	2^{-18}	2^{-19}	2^{-20}	2^{-21}	2^{-22}	2^{-23}

Default = 0x00 0000

Instantaneous quadrature power, $Q1$, the product of $V1$ shifted 90 degrees and $I1$.

This is a two's complement value in the range of $-1.0 \leq \text{value} < 1.0$, with the binary point to the right of the MSB.

6.6.54 Reactive Power 2 ($Q2_{AVG}$) – Page 16, Address 16

MSB														LSB	
$-(2^0)$	2^{-1}	2^{-2}	2^{-3}	2^{-4}	2^{-5}	2^{-6}	2^{-7}	2^{-17}	2^{-18}	2^{-19}	2^{-20}	2^{-21}	2^{-22}	2^{-23}

Default = 0x00 0000

Reactive power 2 ($Q2_{AVG}$) is $Q2$ averaged over each low-rate interval ($SampleCount$ samples).

This is a two's complement value in the range of $-1.0 \leq value < 1.0$, with the binary point to the right of the MSB.

6.6.55 Instantaneous Quadrature Power 2 ($Q2$) – Page 16, Address 17

MSB														LSB	
$-(2^0)$	2^{-1}	2^{-2}	2^{-3}	2^{-4}	2^{-5}	2^{-6}	2^{-7}	2^{-17}	2^{-18}	2^{-19}	2^{-20}	2^{-21}	2^{-22}	2^{-23}

Default = 0x00 0000

Instantaneous quadrature power, $Q2$, the product of $V2$ shifted 90 degrees and $I2$.

This is a two's complement value in the range of $-1.0 \leq value < 1.0$, with the binary point to the right of the MSB.

6.6.56 Peak Current 1 ($I1_{PEAK}$) – Page 0, Address 37

MSB														LSB	
$-(2^0)$	2^{-1}	2^{-2}	2^{-3}	2^{-4}	2^{-5}	2^{-6}	2^{-7}	2^{-17}	2^{-18}	2^{-19}	2^{-20}	2^{-21}	2^{-22}	2^{-23}

Default = 0x00 0000

Peak Current 1 ($I1_{PEAK}$) contains the value of the instantaneous current 1 sample with the greatest magnitude detected during the last low-rate interval.

This is a two's complement value in the range of $-1.0 \leq value < 1.0$, with the binary point to the right of the MSB.

6.6.57 Peak Voltage 1 ($V1_{PEAK}$) – Page 0, Address 36

MSB														LSB	
$-(2^0)$	2^{-1}	2^{-2}	2^{-3}	2^{-4}	2^{-5}	2^{-6}	2^{-7}	2^{-17}	2^{-18}	2^{-19}	2^{-20}	2^{-21}	2^{-22}	2^{-23}

Default = 0x00 0000

Peak voltage 1 ($V1_{PEAK}$) contains the value of the instantaneous voltage 1 sample with the greatest magnitude detected during the last low-rate interval.

This is a two's complement value in the range of $-1.0 \leq value < 1.0$, with the binary point to the right of the MSB.

6.6.58 Apparent Power 1 ($S1$) – Page 16, Address 20

MSB														LSB	
0	2^{-1}	2^{-2}	2^{-3}	2^{-4}	2^{-5}	2^{-6}	2^{-7}	2^{-17}	2^{-18}	2^{-19}	2^{-20}	2^{-21}	2^{-22}	2^{-23}

Default = 0x00 0000

Apparent power 1 ($S1$) is the product of $V1_{RMS}$ and $I1_{RMS}$ or $SQRT(P1_{AVG}^2 + Q1_{AVG}^2)$.

This is an unsigned value in the range of $0 \leq value \leq 1.0$, with the binary point to the right of the MSB.

6.6.59 Power Factor 1 (PF1) – Page 16, Address 21

MSB								LSB							
$-(2^0)$	2^{-1}	2^{-2}	2^{-3}	2^{-4}	2^{-5}	2^{-6}	2^{-7}	2^{-17}	2^{-18}	2^{-19}	2^{-20}	2^{-21}	2^{-22}	2^{-23}

Default = 0x00 0000

Power factor 1 ($PF1$) is calculated by dividing active power 1 ($P1_{AVG}$) by apparent power 1 ($S1$).

The sign is determined by the active power ($P1_{AVG}$) sign.

This is a two's complement value in the range of $-1.0 \leq \text{value} < 1.0$, with the binary point to the right of the MSB.

6.6.60 Peak Current 2 ($I2_{PEAK}$) – Page 0, Address 39

MSB								LSB							
$-(2^0)$	2^{-1}	2^{-2}	2^{-3}	2^{-4}	2^{-5}	2^{-6}	2^{-7}	2^{-17}	2^{-18}	2^{-19}	2^{-20}	2^{-21}	2^{-22}	2^{-23}

Default = 0x00 0000

Peak current, $I2_{PEAK}$, contains the value of the instantaneous current 2 sample with the greatest magnitude detected during the last low-rate interval.

This is a two's complement value in the range of $-1.0 \leq \text{value} < 1.0$, with the binary point to the right of the MSB.

6.6.61 Peak Voltage 2 ($V2_{PEAK}$) – Page 0, Address 38

MSB								LSB							
$-(2^0)$	2^{-1}	2^{-2}	2^{-3}	2^{-4}	2^{-5}	2^{-6}	2^{-7}	2^{-17}	2^{-18}	2^{-19}	2^{-20}	2^{-21}	2^{-22}	2^{-23}

Default = 0x00 0000

Peak voltage, $V2_{PEAK}$, contains the value of the instantaneous voltage 2 sample with the greatest magnitude detected during the last low-rate interval.

This is a two's complement value in the range of $-1.0 \leq \text{value} < 1.0$, with the binary point to the right of the MSB.

6.6.62 Apparent Power 2 ($S2$) – Page 16, Address 24

MSB								LSB							
0	2^{-1}	2^{-2}	2^{-3}	2^{-4}	2^{-5}	2^{-6}	2^{-7}	2^{-17}	2^{-18}	2^{-19}	2^{-20}	2^{-21}	2^{-22}	2^{-23}

Default = 0x00 0000

Apparent power 2 ($S2$) is the product of $V2_{RMS}$ and $I2_{RMS}$ or $\text{SQRT}(P2_{AVG}^2 + Q2_{AVG}^2)$.

This is an unsigned value in the range of $0 \leq \text{value} \leq 1.0$, with the binary point to the right of the MSB.

6.6.63 Power Factor 2 (PF2) – Page 16, Address 25

MSB								LSB							
$-(2^0)$	2^{-1}	2^{-2}	2^{-3}	2^{-4}	2^{-5}	2^{-6}	2^{-7}	2^{-17}	2^{-18}	2^{-19}	2^{-20}	2^{-21}	2^{-22}	2^{-23}

Default = 0x00 0000

Power factor 2 ($PF2$) is calculated by dividing active power 2 ($P2_{AVG}$) by apparent power 2 ($S2$).

The sign is determined by the active power ($P2_{AVG}$) sign.

This is a two's complement value in the range of $-1.0 \leq \text{value} < 1.0$, with the binary point to the right of the MSB.

6.6.64 Temperature (T) – Page 16, Address 27

MSB														LSB	
$-(2^7)$	2^6	2^5	2^4	2^3	2^2	2^1	2^0	2^{-10}	2^{-11}	2^{-12}	2^{-13}	2^{-14}	2^{-15}	2^{-16}

Default = 0x00 0000

T contains results from the on-chip temperature measurement.

By default, T uses the Celsius scale, and is a two's complement value in the range of $-128.0 \leq \text{value} < 128.0$ ($^{\circ}\text{C}$), with the binary point to the right of bit 16. Negative values are not used.

T can be rescaled by the application using the T_{GAIN} and T_{OFF} registers.

6.6.65 Total Active Power (P_{SUM}) – Page 16, Address 29

MSB														LSB	
$-(2^0)$	2^{-1}	2^{-2}	2^{-3}	2^{-4}	2^{-5}	2^{-6}	2^{-7}	2^{-17}	2^{-18}	2^{-19}	2^{-20}	2^{-21}	2^{-22}	2^{-23}

Default = 0x00 0000

$P_{SUM} = P1_{AVG} + P2_{AVG}$ if $MCFG[1:0] = 01$

$P_{SUM} = P1_{AVG}$ or $P2_{AVG}$ if $MCFG[1:0] = 00$

This is a two's complement value in the range of $-1.0 \leq \text{value} < 1.0$, with the binary point to the right of the MSB.

6.6.66 Total Apparent Power (S_{SUM}) – Page 16, Address 30

MSB														LSB	
0	2^{-1}	2^{-2}	2^{-3}	2^{-4}	2^{-5}	2^{-6}	2^{-7}	2^{-17}	2^{-18}	2^{-19}	2^{-20}	2^{-21}	2^{-22}	2^{-23}

Default = 0x00 0000

$S_{SUM} = S1 + S2$ if $MCFG[1:0] = 01$

$S_{SUM} = S1$ or $S2$ if $MCFG[1:0] = 00$

This is an unsigned value in the range of $0 \leq \text{value} < 1.0$, with the binary point to the right of the MSB.

6.6.67 Total Reactive Power (Q_{SUM}) – Page 16, Address 31

MSB														LSB	
$-(2^0)$	2^{-1}	2^{-2}	2^{-3}	2^{-4}	2^{-5}	2^{-6}	2^{-7}	2^{-17}	2^{-18}	2^{-19}	2^{-20}	2^{-21}	2^{-22}	2^{-23}

Default = 0x00 0000

$Q_{SUM} = Q1_{AVG} + Q2_{AVG}$ if $MCFG[1:0] = 01$

$Q_{SUM} = Q1_{AVG}$ or $Q2_{AVG}$ if $MCFG[1:0] = 00$

This is a two's complement value in the range of $-1.0 \leq \text{value} < 1.0$, with the binary point to the right of the MSB.

6.6.68 DC Offset for Current ($I1_{DCOFF}$, $I2_{DCOFF}$) – Page 16, Address 32, 39

MSB														LSB	
$-(2^0)$	2^{-1}	2^{-2}	2^{-3}	2^{-4}	2^{-5}	2^{-6}	2^{-7}	2^{-17}	2^{-18}	2^{-19}	2^{-20}	2^{-21}	2^{-22}	2^{-23}

Default = 0x00 0000

DC offset registers $I1_{DCOFF}$ and $I2_{DCOFF}$ are initialized to zero on reset. During DC offset calibration, selected registers are written with the inverse of the DC offset measured. The application program can also write the DC offset register values. These are two's complement values in the range of $-1.0 \leq \text{value} < 1.0$, with the binary point to the right of the MSB.

6.6.69 DC Offset for Voltage ($V1_{DCOFF}$, $V2_{DCOFF}$) – Page 16, Address 34, 41

MSB														LSB	
$-(2^0)$	2^{-1}	2^{-2}	2^{-3}	2^{-4}	2^{-5}	2^{-6}	2^{-7}	2^{-17}	2^{-18}	2^{-19}	2^{-20}	2^{-21}	2^{-22}	2^{-23}

Default = 0x00 0000

DC offset registers $V1_{DCOFF}$ and $V2_{DCOFF}$ are initialized to zero on reset. During DC offset calibration, selected registers are written with the inverse of the DC offset measured. The application program can also write the DC offset register values. These are two's complement values in the range of $-1.0 \leq \text{value} < 1.0$, with the binary point to the right of the MSB.

6.6.70 Gain for Current ($I1_{GAIN}$, $I2_{GAIN}$) – Page 16, Address 33, 40

MSB														LSB	
2^1	2^0	2^{-1}	2^{-2}	2^{-3}	2^{-4}	2^{-5}	2^{-6}	2^{-16}	2^{-17}	2^{-18}	2^{-19}	2^{-20}	2^{-21}	2^{-22}

Default = 0x40 0000 (1.0)

Gain registers $I1_{GAIN}$ and $I2_{GAIN}$ are initialized to 1.0 on reset. During gain calibration, selected registers are written with the multiplicative inverse of the gain measured. These are unsigned, fixed-point values in the range of $0 \leq \text{value} < 4.0$, with the binary point to the right of the second MSB.

6.6.71 Gain for Voltage ($V1_{GAIN}$, $V2_{GAIN}$) – Page 16, Address 35, 42

MSB														LSB	
2^1	2^0	2^{-1}	2^{-2}	2^{-3}	2^{-4}	2^{-5}	2^{-6}	2^{-16}	2^{-17}	2^{-18}	2^{-19}	2^{-20}	2^{-21}	2^{-22}

Default = 0x40 0000 (1.0)

Gain registers $V1_{GAIN}$ and $V2_{GAIN}$ are initialized to 1.0 on reset. During gain calibration, selected register are written with the multiplicative inverse of the gain measured. These are unsigned fixed-point values in the range of $0 \leq \text{value} < 4.0$, with the binary point to the right of the second MSB.

6.6.72 Average Active Power Offset ($P1_{OFF}$, $P2_{OFF}$) – Page 16, Address 36, 43

MSB														LSB	
$-(2^0)$	2^{-1}	2^{-2}	2^{-3}	2^{-4}	2^{-5}	2^{-6}	2^{-7}	2^{-17}	2^{-18}	2^{-19}	2^{-20}	2^{-21}	2^{-22}	2^{-23}

Default = 0x00 0000

Average Active Power offset $P1_{OFF}$ ($P2_{OFF}$) is added to averaged power to yield $P1_{AVG}$ ($P2_{AVG}$) register results. It can be used to reduce systematic energy errors. These are two's complement values in the range of $-1.0 \leq \text{value} < 1.0$, with the binary point to the right of the MSB.

6.6.73 Average Reactive Power Offset ($Q1_{OFF}$, $Q2_{OFF}$) – Page 16, Address 38, 45

MSB										LSB					
$-(2^0)$	2^{-1}	2^{-2}	2^{-3}	2^{-4}	2^{-5}	2^{-6}	2^{-7}	2^{-17}	2^{-18}	2^{-19}	2^{-20}	2^{-21}	2^{-22}	2^{-23}

Default = 0x00 0000

Average Reactive Power Offset ($Q1_{OFF}$, $Q2_{OFF}$) is added to averaged reactive power to yield $Q1_{AVG}$ ($Q2_{AVG}$) register results. It can be used to reduce systematic energy errors. These are two's complement values in the range of $-1.0 \leq \text{value} < 1.0$, with the binary point to the right of the MSB.

6.6.74 AC Offset for Current ($I1_{ACOFF}$, $I2_{ACOFF}$) – Page 16, Address 37, 44

MSB										LSB					
2^{-1}	2^{-2}	2^{-3}	2^{-4}	2^{-5}	2^{-6}	2^{-7}	2^{-8}	2^{-18}	2^{-19}	2^{-20}	2^{-21}	2^{-22}	2^{-23}	2^{-24}

Default = 0x00 0000

AC offset registers $I1_{ACOFF}$ and $I2_{ACOFF}$ are initialized to zero on reset. They are used to reduce systematic errors in the RMS results. These are unsigned values in the range of $0 \leq \text{value} < 1.0$, with the binary point to the left of the MSB.

6.6.75 Temperature Gain (T_{GAIN}) – Page 16, Address 54

MSB										LSB					
2^7	2^6	2^5	2^4	2^3	2^2	2^1	2^0	2^{-10}	2^{-11}	2^{-12}	2^{-13}	2^{-14}	2^{-15}	2^{-16}

Default = 0x 06 B716

Register T_{GAIN} is used to scale the Temperature register (T), and is an unsigned fixed-point value in the range of $0.0 \leq \text{value} < 256.0$, with the binary point to the right of bit 16.

Register T can be rescaled by the application using the T_{GAIN} and T_{OFF} registers. Refer to section [7.3 Temperature Sensor Calibration](#) on page 65 for more information.

6.6.76 Temperature Offset (T_{OFF}) – Page 16, Address 55

MSB										LSB					
$-(2^7)$	2^6	2^5	2^4	2^3	2^2	2^1	2^0	2^{-10}	2^{-11}	2^{-12}	2^{-13}	2^{-14}	2^{-15}	2^{-16}

Default = 0x D5 3998

Register T_{OFF} is used to offset the Temperature register (T), and is a two's complement value in the range of $-128.0 \leq \text{value} < 128.0$ ($^{\circ}\text{C}$), with the binary point to the right of bit 16.

Register T can be rescaled by the application using the T_{GAIN} and T_{OFF} registers. Refer to section [7.3 Temperature Sensor Calibration](#) on page 65 for more information.

6.6.77 Calibration Scale (Scale) – Page 18, Address 63

MSB														LSB	
$-(2^0)$	2^{-1}	2^{-2}	2^{-3}	2^{-4}	2^{-5}	2^{-6}	2^{-7}	2^{-17}	2^{-18}	2^{-19}	2^{-20}	2^{-21}	2^{-22}	2^{-23}

Default = 0x4C CCCC (0.6)

The *Scale* register is used in the gain calibration to set the level of calibrated results of I-channel RMS. During gain calibration, the $I_{X_{RMS}}$ results register is divided into the *Scale* register. The quotient is put into the $I_{X_{GAIN}}$ register. This is a two's complement value in the range of $-1.0 \leq \text{value} < 1.0$, with the binary point to the right of the MSB. Negative values are not used.

6.6.78 V-channel Zero-crossing Threshold (VZX_{LEVEL}) – Page 18, Address 58

MSB														LSB	
$-(2^0)$	2^{-1}	2^{-2}	2^{-3}	2^{-4}	2^{-5}	2^{-6}	2^{-7}	2^{-17}	2^{-18}	2^{-19}	2^{-20}	2^{-21}	2^{-22}	2^{-23}

Default = 0x10 0000 (0.125)

VZX_{LEVEL} is the level that the peak instantaneous voltage must exceed for the zero-crossing detection to function. This is a two's complement value in the range of $-1.0 \leq \text{value} < 1.0$, with the binary point to the right of the MSB. Negative values are not used.

6.6.79 I-channel Zero-crossing Threshold (IZX_{LEVEL}) – Page 18, Address 24

MSB														LSB	
$-(2^0)$	2^{-1}	2^{-2}	2^{-3}	2^{-4}	2^{-5}	2^{-6}	2^{-7}	2^{-17}	2^{-18}	2^{-19}	2^{-20}	2^{-21}	2^{-22}	2^{-23}

Default = 0x10 0000 (0.125)

IZX_{LEVEL} is the level that the peak instantaneous current must exceed for the zero-crossing detection to function. This is a two's complement value in the range of $-1.0 \leq \text{value} < 1.0$, with the binary point to the right of the MSB. Negative values are not used.

7. SYSTEM CALIBRATION

Component tolerances, residual ADC offset, and system noise require a meter to be calibrated before it meets a specific accuracy requirement. The CS5480 provides an on-chip calibration algorithm to operate the system calibration quickly and easily. Benefiting from the excellent linearity and low noise level of the CS5480, normally a CS5480 meter only needs one calibration at a single load point to achieve accurate measurements over the full load range.

7.1 Calibration in General

The CS5480 provides DC offset and gain calibration that can be applied to the instantaneous voltage and current measurements and AC offset calibration, which can be applied to the current RMS calculation.

Since the voltage and current channels have independent offset and gain registers, offset and gain calibration can be performed on any channel independently.

The data flow of the calibration is shown in Figure 25.

Note that in Figure 25 the AC offset registers and gain registers affect the output results differently than the DC offset registers. The DC offset and gain values are applied to the voltage/current signals very early in the signal path; the DC offset register and gain register values affect all CS5480 results. This is not true for the AC offset correction. The AC offset registers only affect the results of the RMS current calculation.

The CS5480 must be operating in its active state and ready to accept valid commands. Refer to section [6.1.2 Instructions](#) on page 29 for different calibration commands. The value in the *SampleCount* register determines the number (N) of OWR samples that are averaged during a calibration. The calibration

procedure takes the time of $N + T_{SETTLE}$ OWR samples. As N is increased, the calibration takes more time but the accuracy of calibration results tends to increase.

The DRDY bit in the *Status0* register will be set at the completion of calibration commands. If an overflow occurs during calibration, other *Status0* bits may be set as well.

7.1.1 Offset Calibration

During offset calibrations, no line voltage or current should be applied to the meter. In other words, the differential signal on voltage inputs $V_{IN\pm}$ or current inputs $I_{IN1\pm}$ ($I_{IN2\pm}$) of the CS5480 should be 0V.

7.1.1.1 DC Offset Calibration

The DC offset calibration command measures and averages DC values read on specified voltage or current channels at zero input and stores the inverse result in the associated offset registers. This DC offset will be added to instantaneous measurements in subsequent conversions, removing the offset.

The gain register for the channel being calibrated should be set to 1.0 prior to performing DC offset calibration.

DC offset calibration is not required if the high-pass filter is enabled on that channel because the DC component will be removed by the high-pass filter.

7.1.1.2 Current Channel AC Offset Calibration

The AC offset calibration command measures the residual RMS value on the current channel at zero input and stores the squared result in the associated AC offset register. This AC offset will be subtracted from RMS measurements in subsequent conversions, removing the AC offset on the associated current channel.

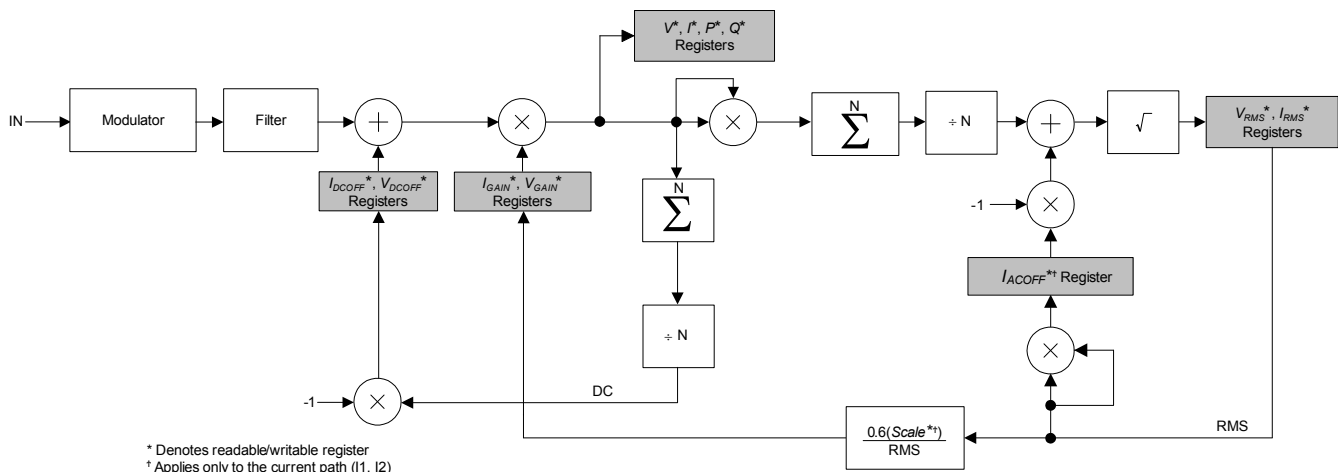


Figure 25. Calibration Data Flow

The AC offset register for the channel being calibrated should first be cleared prior to performing the calibration. The high-pass filter should be enabled if AC offset calibration is used. It is recommended that T_{SETTLE} be set to 2000ms before performing an AC offset calibration. Note that the AC offset register holds the square of RMS value measured during calibration. Therefore, it can hold a maximum RMS noise of $\sqrt{0xFFFFFFFF}$. This is the maximum RMS noise that AC offset correction can remove.

7.1.2 Gain Calibration

Prior to executing the gain calibration command, gain registers for any path to be calibrated (V_{XGAIN} , I_{XGAIN}) should be set to 1.0, and T_{SETTLE} should be set to 2000 ms. For gain calibration, a reference signal must be applied to the meter. During gain calibration, the voltage RMS result register (V_{XRMS}) is divided into 0.6, and the current RMS result register (I_{XRMS}) is divided into the *Scale* register. The quotient is put into the associated gain register. The gain calibration algorithm attempts to adjust the gain register (V_{XGAIN} , I_{XGAIN}) such that the voltage RMS result register (V_{XRMS}) equals 0.6, and the current RMS result register (I_{XRMS}) equal the *Scale* register.

Note that for the gain calibration, there are some limitations on choosing the reference level and the *Scale* register value. Using a reference or a scale that is too large or too small can cause register overflow during calibration or later during normal operation. Either condition can set *Status* register bits I1OR (I2OR), or VOR. The maximum value that the gain register can attain is four. Using inappropriate reference levels or scale values may also cause the CS5480 to attempt to set the gain register higher than four, therefore the gain calibration result will be invalid.

The *Scale* register is 0.6 by default. The maximum voltage (U_{MAX} Volts) and current (I_{MAX} Amps) of the meter should be used as the reference signal level if the *Scale* register is 0.6. After gain calibration, 0.6 of the V_{XRMS} (I_{XRMS}) register represents U_{MAX} Volts (I_{MAX} Amps) for the line voltage (load current); 0.36 of the P_{AVG} , Q_{AVG} , or S_x register represents $U_{MAX} \times I_{MAX}$ Watts, Vars, or VAs for the active, reactive, or apparent power.

If the calibration is performed with U_{MAX} Volts and I_{CAL} Amps and $I_{CAL} < I_{MAX}$, the *Scale* register needs to be scaled down to $0.6 \times I_{CAL} / I_{MAX}$ before performing gain calibration. After gain calibration, 0.6 of the V_{XRMS} register represents U_{MAX} Volts, $0.6 \times I_{CAL} / I_{MAX}$ of the

I_{XRMS} register represents I_{CAL} Amps, and $0.36 \times I_{CAL} / I_{MAX}$ of the P_{XAVG} , Q_{XAVG} , or S_x register represents $U_{MAX} \times I_{CAL}$ Watts, Vars, or VAs.

7.1.3 Calibration Order

- 1) If the HPF option is enabled, then any DC component that may be present in the selected signal channel will be removed, and a DC offset calibration is not required. However, if the HPF option is disabled, the DC offset calibration should be performed.

When using high-pass filters, it is recommended that the DC offset register for the corresponding channel be set to 0. Before performing DC offset calibration, the DC offset register should be set to zero, and the corresponding gain register should be set to one.

- 2) If there is an AC offset in the I_{XRMS} calculation, the AC offset calibration should be performed on the current channel. Before performing AC offset calibration, the AC offset register should be set to zero. It is recommended that T_{SETTLE} be set to 2000 ms before performing an AC offset calibration.
- 3) Perform the gain calibration.
- 4) If an AC offset calibration was performed (step 2), then the AC offset may need to be adjusted to compensate for the change in gain (step 3). This can be accomplished by restoring zero to the AC offset register and then perform an AC offset calibration. The adjustment could also be done by multiplying the AC offset register value that was calculated in step 2 by the gain calculated in step 3 and updating the AC offset register with the product.

7.2 Phase Compensation

A phase compensation mechanism is provided to adjust for meter-to-meter variation in signal path delays.

Phase offset between a voltage channel and its corresponding current channel can be calculated by using the power factor ($PF1$, $PF2$) register after a conversion.

- 1) Apply a reference voltage and current with a lagging power factor to the meter. The reference current waveform should lag the voltage with a 60° phase shift.
- 2) Start continuous conversion.
- 3) Accumulate multiple readings of the $PF1$ or $PF2$ register.
- 4) Calculate the average power factor, PF_{avg} .
- 5) Calculate phase offset = $\arccos(PF_{avg}) - 60^\circ$.

- 6) If the phase offset is negative, then the delay should be added only to the current channel. Otherwise, add more delay to the voltage channel than to the current channel to compensate for a positive phase offset.

Once the phase offset is known, the CPCCx and FPCCx bits for that channel are calculated and programmed in the PC register.

CPCCx bits are used if either:

- The phase offset is more than 1 output word rate (OWR) sample.
- More delay is needed on the voltage channel.

The compensation resolution is 0.008789° at 50Hz and 0.010547° at 60Hz at an OWR of 4000Hz.

7.3 Temperature Sensor Calibration

Temperature sensor calibration involves the adjustment of two parameters: temperature gain (T_{GAIN}) and temperature offset (T_{OFF}). Before calibration, T_{GAIN} must be set to 1.0 (0x 01 0000), and T_{OFF} must be set to 0.0 (0x 00 0000).

7.3.1 Temperature Offset and Gain Calibration

To obtain the optimal temperature offset (T_{OFF}) register value and temperature (T_{GAIN}) register value, it is necessary to measure the temperature (T) register at a minimum of two points (T1 and T2) across the meter operating temperature range. The two temperature points must be far enough apart to yield reasonable accuracy, for example 25°C and 85°C. Obtain a linear fit of these points ($y = m \cdot x + b$), where the slope (m) and intercept (b) can be obtained.

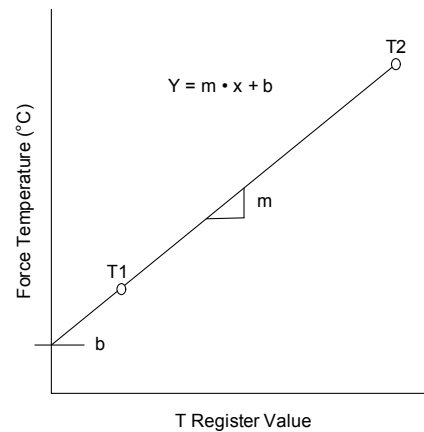


Figure 26. T Register vs. Force Temp

T_{OFF} and T_{GAIN} are calculated using the following equations:

$$T_{OFF} = \frac{b}{m}$$

$$T_{GAIN} = m$$

8. BASIC APPLICATION CIRCUITS

Figure 27 shows the CS5480 configured to measure power in a single-phase, 3-wire system with 1 voltage and 2 currents (1V-1I-1N). Figure 28 shows the CS5480 configured to measure power in a single-phase, 2-wire

system with 1 voltage, 1 line current and 1 neutral current (1V-1I-1N). In these diagrams, current transformers (CTs) are used to sense the line load currents, and resistive voltage dividers are used to sense the line voltage.

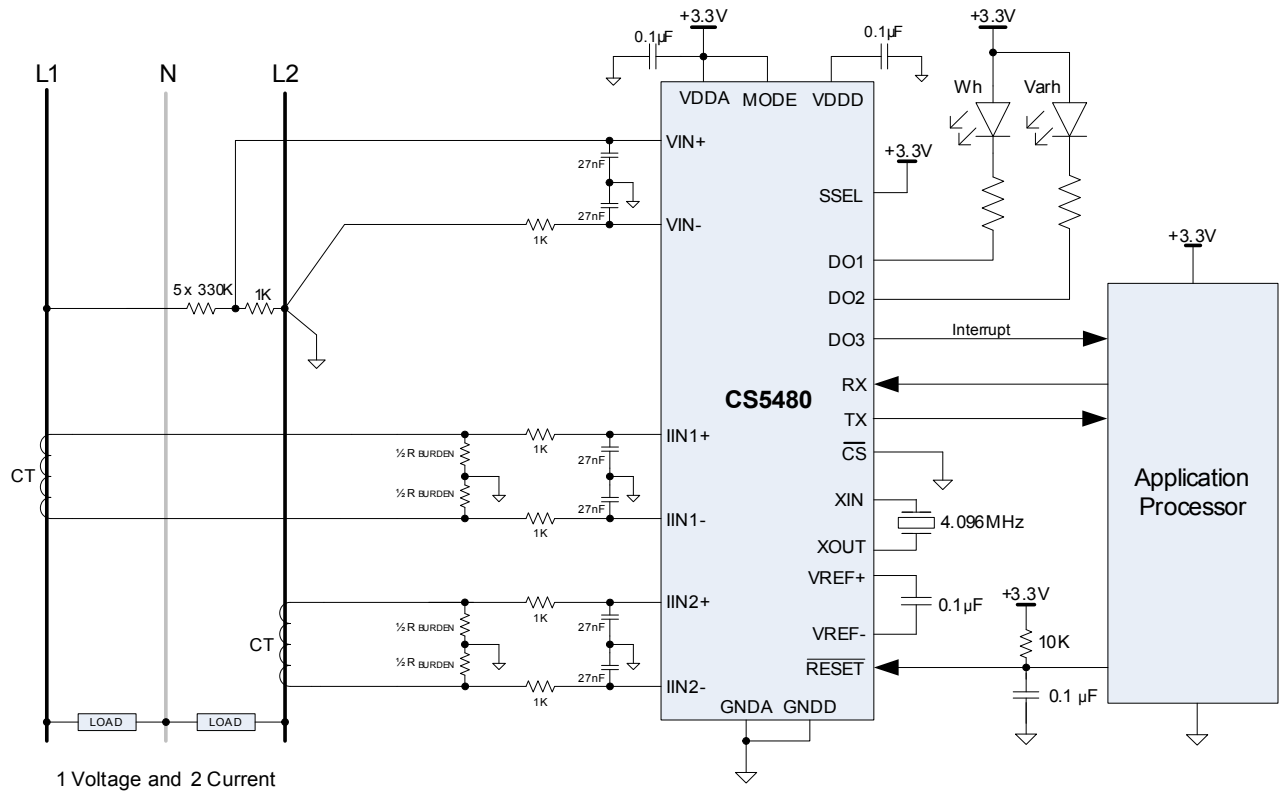


Figure 27. Typical Single-phase 3-Wire Connection

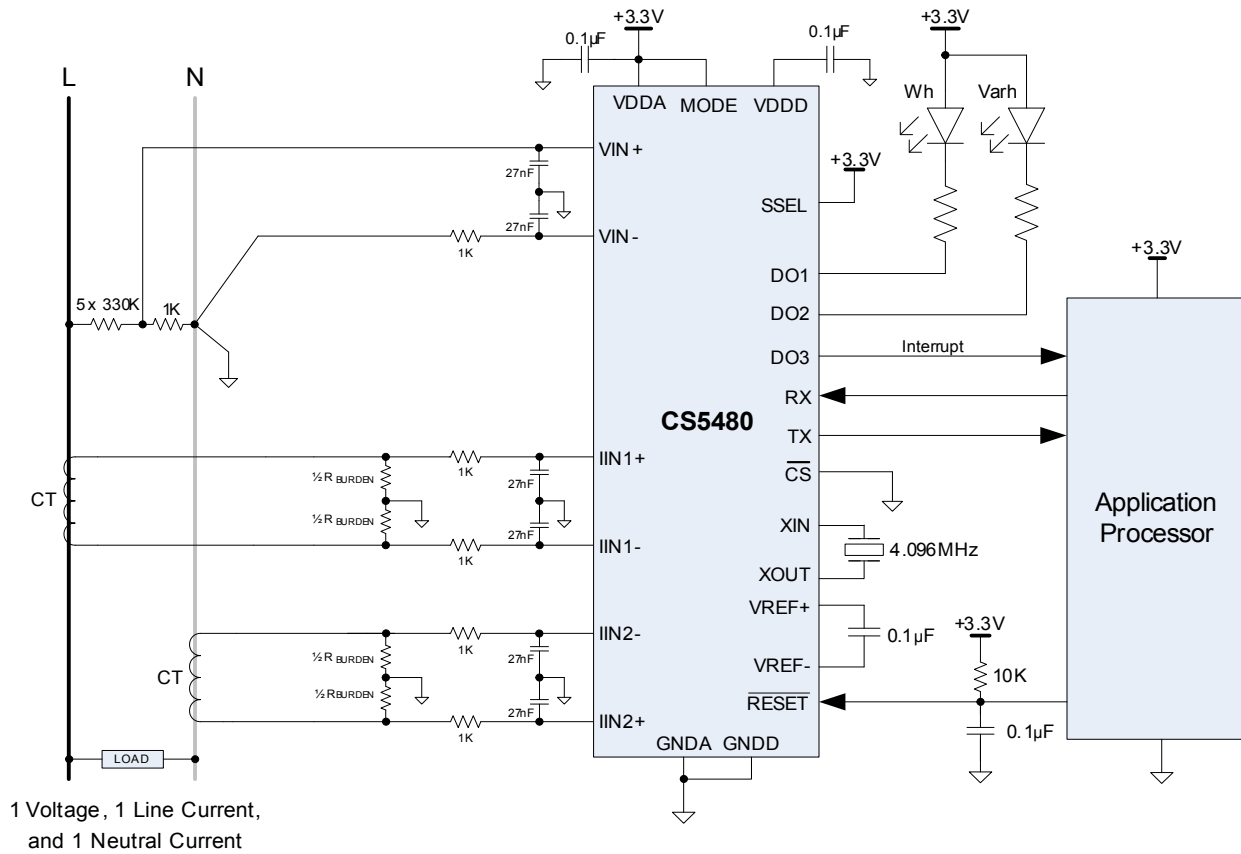
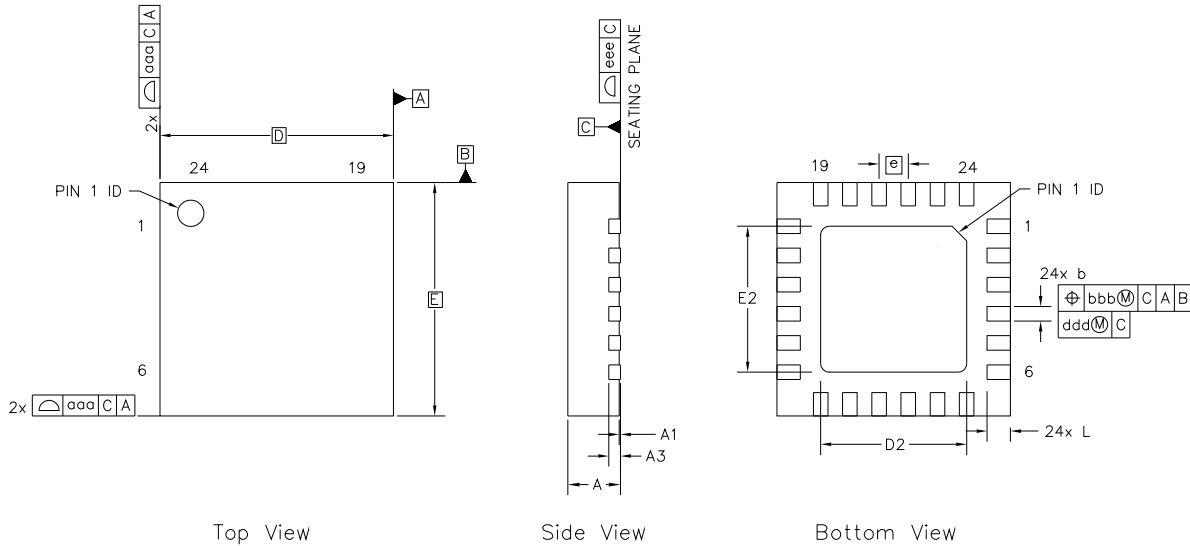


Figure 28. Typical Single-phase 2-Wire Connection

9. PACKAGE DIMENSIONS
24 QFN (4mmX4mm BODY with EXPOSED PAD) PACKAGE DRAWING


Dimension	mm			inch		
	MIN	NOM	MAX	MIN	NOM	MAX
A	0.80	0.90	1.00	0.031	0.035	0.039
A1	0.00	0.02	0.05	0.000	0.001	0.002
A3	0.20 REF			0.008 REF		
b	0.20	0.25	0.30	0.008	0.010	0.012
D	4.00 BSC			0.157 BSC		
D2	2.40	2.50	2.60	0.094	0.098	0.102
e	0.50 BSC			0.020 BSC		
E	4.00 BSC			0.157 BSC		
E2	2.40	2.50	2.60	0.094	0.098	0.102
L	0.35	0.40	0.45	0.014	0.016	0.018
aaa	0.15			0.006		
bbb	0.10			0.004		
ddd	0.05			0.002		
eee	0.08			0.003		

Notes:

- Controlling dimensions are in millimeters.
- Dimensions and tolerances per ASME Y14.5M.
- This drawing conforms to JEDEC outline MO-220, variation VGGD-6 with the exception of features D2 and E2, which are per supplier designations.
- Recommended reflow profile is per JEDEC/IPC J-STD-020.

10. ORDERING INFORMATION

Ordering Number	Container	Temperature	Package
CS5480-INZ	Bulk	-40 to +85 °C	24-pin QFN, Lead (Pb) Free
CS5480-INZR	Tape & Reel		

11. ENVIRONMENTAL, MANUFACTURING, AND HANDLING INFORMATION

Part Number	Peak Reflow Temp	MSL Rating*	Max Floor Life
CS5480-INZ	260 °C	3	7 Days

* MSL (Moisture Sensitivity Level) as specified by IPC/JEDEC J-STD-020.

12. REVISION HISTORY

Revision	Date	Changes
PP1	APR 2012	Preliminary release.
F1	APR 2012	Edited for content and clarity.
F2	JUN 2012	Updated ordering information.
F3	MAR 2013	Clarified context.

Contacting Cirrus Logic Support

For all product questions and inquiries contact a Cirrus Logic Sales Representative.

To find the one nearest to you go to www.cirrus.com

IMPORTANT NOTICE

Cirrus Logic, Inc. and its subsidiaries ("Cirrus") believe that the information contained in this document is accurate and reliable. However, the information is subject to change without notice and is provided "AS IS" without warranty of any kind (express or implied). Customers are advised to obtain the latest version of relevant information to verify, before placing orders, that information being relied on is current and complete. All products are sold subject to the terms and conditions of sale supplied at the time of order acknowledgment, including those pertaining to warranty, indemnification, and limitation of liability. No responsibility is assumed by Cirrus for the use of this information, including use of this information as the basis for manufacture or sale of any items, or for infringement of patents or other rights of third parties. This document is the property of Cirrus and by furnishing this information, Cirrus grants no license, express or implied under any patents, mask work rights, copyrights, trademarks, trade secrets or other intellectual property rights. Cirrus owns the copyrights associated with the information contained herein and gives consent for copies to be made of the information only for use within your organization with respect to Cirrus integrated circuits or other products of Cirrus. This consent does not extend to other copying such as copying for general distribution, advertising or promotional purposes, or for creating any work for resale.

CERTAIN APPLICATIONS USING SEMICONDUCTOR PRODUCTS MAY INVOLVE POTENTIAL RISKS OF DEATH, PERSONAL INJURY, OR SEVERE PROPERTY OR ENVIRONMENTAL DAMAGE ("CRITICAL APPLICATIONS"). CIRRUS PRODUCTS ARE NOT DESIGNED, AUTHORIZED OR WARRANTED FOR USE IN PRODUCTS SURGICALLY IMPLANTED INTO THE BODY, AUTOMOTIVE SAFETY OR SECURITY DEVICES, LIFE SUPPORT PRODUCTS OR OTHER CRITICAL APPLICATIONS. INCLUSION OF CIRRUS PRODUCTS IN SUCH APPLICATIONS IS UNDERSTOOD TO BE FULLY AT THE CUSTOMER'S RISK AND CIRRUS DISCLAIMS AND MAKES NO WARRANTY, EXPRESS, STATUTORY OR IMPLIED, INCLUDING THE IMPLIED WARRANTIES OF MERCHANTABILITY AND FITNESS FOR PARTICULAR PURPOSE, WITH REGARD TO ANY CIRRUS PRODUCT THAT IS USED IN SUCH A MANNER. IF THE CUSTOMER OR CUSTOMER'S CUSTOMER USES OR PERMITS THE USE OF CIRRUS PRODUCTS IN CRITICAL APPLICATIONS, CUSTOMER AGREES, BY SUCH USE, TO FULLY INDEMNIFY CIRRUS, ITS OFFICERS, DIRECTORS, EMPLOYEES, DISTRIBUTORS AND OTHER AGENTS FROM ANY AND ALL LIABILITY, INCLUDING ATTORNEYS' FEES AND COSTS, THAT MAY RESULT FROM OR ARISE IN CONNECTION WITH THESE USES.

Cirrus Logic, Cirrus, the Cirrus Logic logo designs, EXL Core, and the EXL Core logo design are trademarks of Cirrus Logic, Inc. All other brand and product names in this document may be trademarks or service marks of their respective owners.

SPI is a trademark of Motorola, Inc.