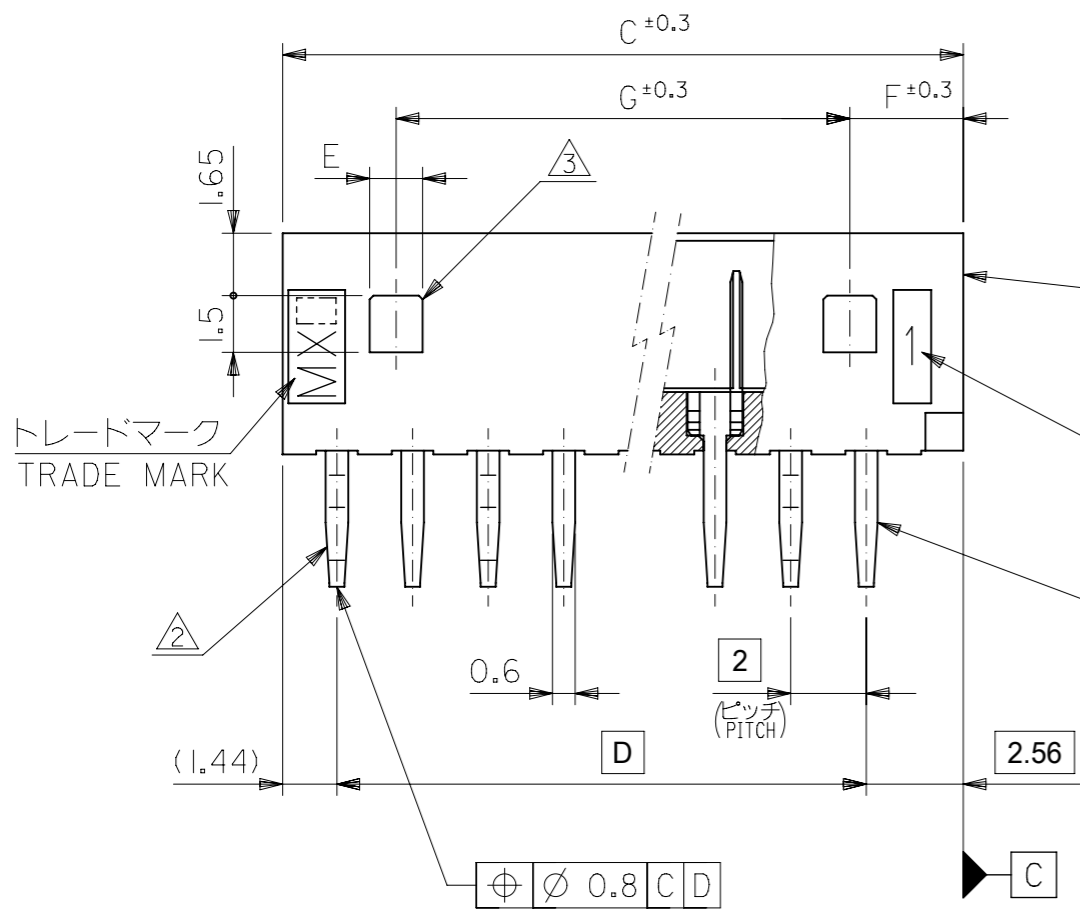
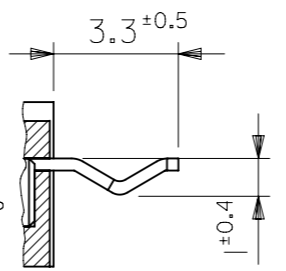


注記 NOTES

1. 嵌合相手 : 51004-\*\*-00  
MATES WITH : 51004-\*\*-00
2. 3極以上のキック加工については、トレードマーク側からキック、ストレートの順に、1極おきに2箇所以上に施すこと。  
KINK TO BE ADDED ON THE ODD NUMBER SOLDER TAILS. (FROM THE TRADE MARK SIDE.)
3. ロック用の穴は、2極品及び3極品に1ヶ、4極品以上は2ヶとする。  
LOCKING HOLE : 1 PLACE FOR 2, 3 CKTS, 2 PLACES FOR 4 CKTS. AND MORE THAN 4 CKTS.

2極品のキック形態図  
KINK FORM FOR 2 CKTS.  
両方のテールにキックを施す。  
SOLDER TAIL KINK SHOULD BE ADDED ON BOTH TAILS.



ウエハー  
WAFER  
(ナイロン66、ガラス入り)  
(NYLON66, GLASS FILLED)  
UL94V-0  
  
回路番号  
CIRCUIT NO.  
  
ピン  
PIN  
(リン青銅、錫メッキ)  
(PHOSPHOR BRONZE,  
PRE-TINNED, t=0.32)

12	3	1.4	14	18	17.1	14	53014-0810	8
10	3	1.4	12	16	15.1	12	-0710	7
8	3	1.4	10	14	13.1	10	-0610	6
6	3	1.4	8	12	11.1	8	-0510	5
4	3	1.4	6	10	9.1	6	-0410	4
—#—	4	3.4	4	8	7.1	4	-0310	3
—#—	3	1.4	2	6	5.1	2	53014-0210	2
G	F	E	D	C	B	A	PLASTIC BAG	極数 NO. OF CKTS.
							ORDER No. オーダー番号	

53014-\*\*-10 MODEL NO.

THIS DRAWING CONTAINS INFORMATION THAT IS PROPRIETARY TO MOLEX ELECTRONIC TECHNOLOGIES, LLC AND SHOULD NOT BE USED WITHOUT WRITTEN PERMISSION

DIMENSION UNITS	SCALE	CURRENT REV DESC:	
mm	5:1		
GENERAL TOLERANCES (UNLESS SPECIFIED)		molex	
		2.0 LOW PROFILE WAFER ASSY	
		PRODUCT CUSTOMER DRAWING	
		DOCUMENT NUMBER	DOC TYPE DOC PART REVISION
		SD-53014-001	PSD 001 J
		MATERIAL NUMBER	CUSTOMER
		SEE TABLE	GENERAL MARKET
		SHEET NUMBER	1 OF 1

EC NO: 620398  
DRWN: AKUMAR19 2018/12/26  
CHK'D: GGA 2019/10/18  
APPR: GGA 2019/10/18

INITIAL REVISION:  
DRWN: M.HENMI 1992/03/06  
APPR: M.ENOMOTO 1992/05/28

GENERAL TOLERANCES (UNLESS SPECIFIED)

10 UNDER	±0.2
10 OVER 30 UNDER	±0.25
30 OVER	±0.3

ANGULAR TOL ± 3.0°  
DRAFT WHERE APPLICABLE MUST REMAIN WITHIN DIMENSIONS

THIRD ANGLE PROJECTION  
DRAWING SERIES  
A3-SIZE 53014