

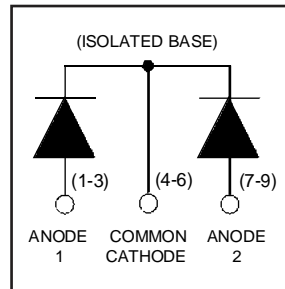
HFA60MB60C

HEXFRED™

Ultrafast, Soft Recovery Diode

Features

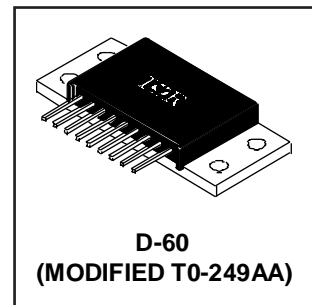
- Reduced RFI and EMI
- Reduced Snubbing
- Extensive Characterization of Recovery Parameters



| |
|--|
| $V_R = 600V$ |
| $V_F(\text{typ.})^{\textcircled{3}} = 1.1V$ |
| $I_{F(AV)} = 60A$ |
| $Q_{rr}(\text{typ.}) = 200nC$ |
| $I_{RRM}(\text{typ.}) = 6A$ |
| $t_{rr}(\text{typ.}) = 30ns$ |
| $di_{(rec)M}/dt(\text{typ.})^{\textcircled{3}} = 170A/\mu s$ |

Description

HEXFRED™ diodes are optimized to reduce losses and EMI/RFI in high frequency power conditioning systems. An extensive characterization of the recovery behavior for different values of current, temperature and di/dt simplifies the calculations of losses in the operating conditions. The softness of the recovery eliminates the need for a snubber in most applications. These devices are ideally suited for power converters, motors drives and other applications where switching losses are significant portion of the total losses.



Absolute Maximum Ratings (per Leg)

| | Parameter | Max. | Units |
|---------------------------|---|-----------------------------------|------------|
| V_R | Cathode-to-Anode Voltage | 600 | V |
| $I_F @ T_C = 25^\circ C$ | Continuous Forward Current | 50 | A |
| $I_F @ T_C = 100^\circ C$ | Continuous Forward Current | 24 | |
| I_{FSM} | Single Pulse Forward Current ① | 200 | |
| E_{AS} | Non-Repetitive Avalanche Energy ② | 220 | μJ |
| $P_D @ T_C = 25^\circ C$ | Maximum Power Dissipation | 125 | W |
| $P_D @ T_C = 100^\circ C$ | Maximum Power Dissipation | 50 | |
| T_J T_{STG} | Operating Junction and Storage Temperature Range | -55 to +150 | $^\circ C$ |
| | Soldering Temperature, for 10 sec. | 300 (0.063 in. (1.6mm) from case) | |

Thermal - Mechanical Characteristics

| | Parameter | Min. | Typ. | Max. | Units |
|-----------------|---|----------|----------|----------|---------------------|
| $R_{\theta JC}$ | Junction-to-Case, Single Leg Conducting | — | — | 1.0 | $^\circ C/W$ K/W |
| | Junction-to-Case, Both Legs Conducting | — | — | 0.50 | |
| $R_{\theta CS}$ | Case-to-Sink, Flat, Greased Surface | — | 0.10 | — | |
| W_t | Weight | — | 58 (2.0) | — | g (oz) |
| | Mounting Torque | 35 (4.0) | — | 50 (5.7) | lbf•in (N•m) |

Note: ① Limited by junction temperature
 ② L = 100 μH , duty cycle limited by max T_J
 ③ 125 $^\circ C$

HFA60MB60C

PD-2.462 rev. A 03/99

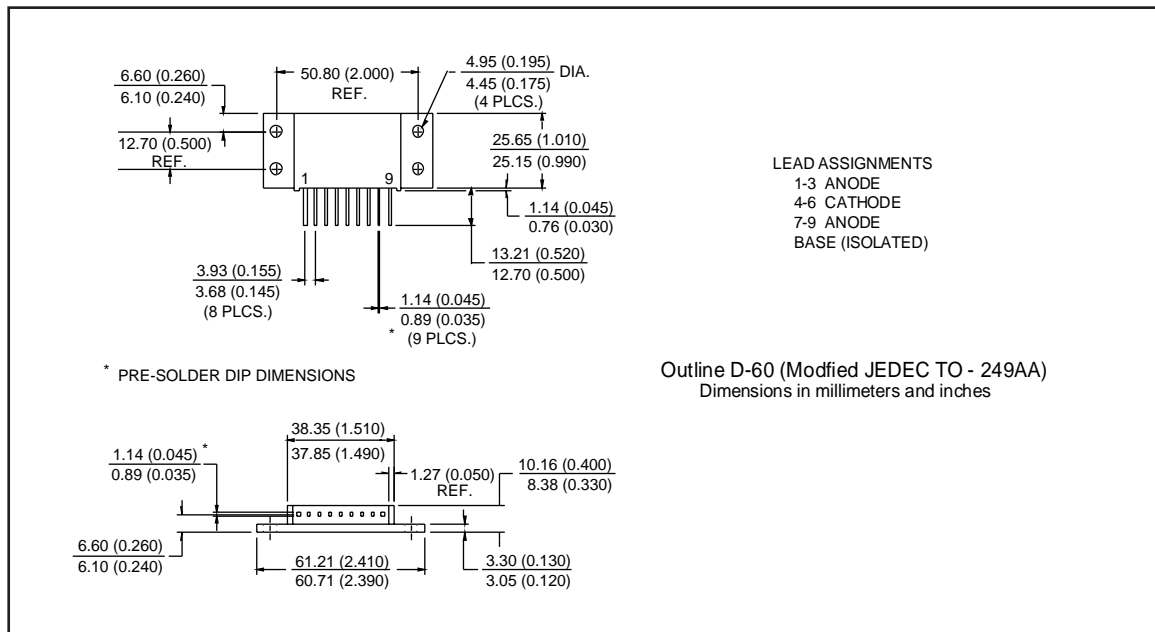
International
IOR Rectifier

Electrical Characteristics (per Leg) @ $T_J = 25^\circ\text{C}$ (unless otherwise specified)

| | Parameter | Min. | Typ. | Max. | Units | Test Conditions |
|----------|---------------------------------|------|------|------|---------------|--|
| V_{BR} | Cathode Anode Breakdown Voltage | 600 | — | — | V | $I_R = 100\mu\text{A}$ |
| V_{FM} | Max Forward Voltage | — | 1.3 | 1.5 | V | $I_F = 30\text{A}$ |
| | | — | 1.4 | 1.7 | | $I_F = 60\text{A}$ See Fig. 1 |
| | | — | 1.1 | 1.3 | | $I_F = 30\text{A}, T_J = 125^\circ\text{C}$ |
| I_{RM} | Max Reverse Leakage Current | — | 2.0 | 10 | μA | $V_R = V_R \text{ Rated}$ See Fig. 2 |
| | | — | 0.50 | 2.0 | mA | $T_J = 125^\circ\text{C}, V_R = 480\text{V}$ |
| C_T | Junction Capacitance | — | 68 | 100 | pF | $V_R = 200\text{V}$ See Fig. 3 |
| L_S | Series Inductance | — | 9.2 | — | nH | Lead to lead 5mm from package body |

Dynamic Recovery Characteristics (per Leg) @ $T_J = 25^\circ\text{C}$ (unless otherwise specified)

| | Parameter | Min. | Typ. | Max. | Units | Test Conditions |
|-------------------|--|------|------|------|------------------------|--|
| t_{rr} | Reverse Recovery Time | — | 30 | — | ns | $I_F = 1.0\text{A}, di_f/dt = 200\text{A}/\mu\text{s}, V_R = 30\text{V}$ |
| t_{rr1} | | — | 67 | 100 | | $T_J = 25^\circ\text{C}$ See Fig. 5 |
| t_{rr2} | | — | 112 | 170 | | $T_J = 125^\circ\text{C}$ |
| I_{RRM1} | Peak Recovery Current | — | 6.0 | 11 | A | $T_J = 25^\circ\text{C}$ See Fig. 6 |
| | | — | 9.0 | 16 | | $T_J = 125^\circ\text{C}$ |
| Q_{rr1} | Reverse Recovery Charge | — | 200 | 550 | nC | $T_J = 25^\circ\text{C}$ See Fig. 7 |
| | | — | 500 | 1400 | | $T_J = 125^\circ\text{C}$ |
| $di_{(rec)M}/dt1$ | Peak Rate of Fall of Recovery Current During t_b | — | 250 | — | $\text{A}/\mu\text{s}$ | $T_J = 25^\circ\text{C}$ See Fig. 8 |
| $di_{(rec)M}/dt2$ | | — | 170 | — | | $T_J = 125^\circ\text{C}$ |



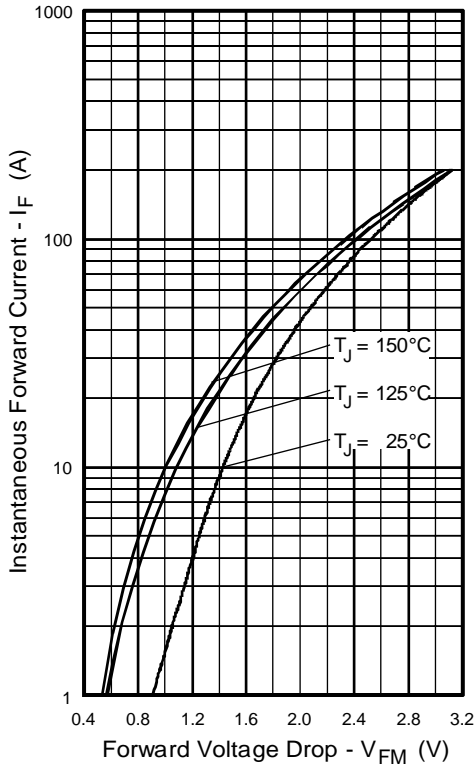


Fig. 1 - Maximum Forward Voltage Drop vs. Instantaneous Forward Current, (per Leg)

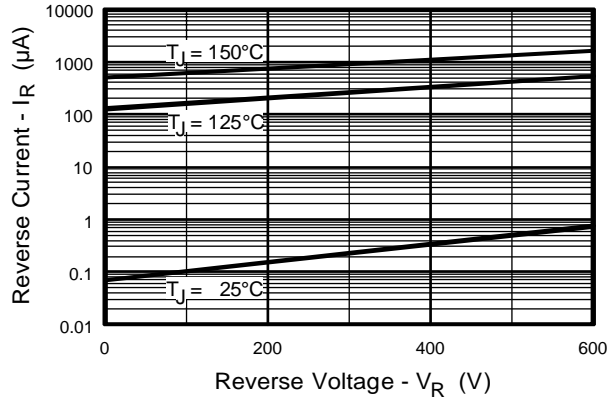


Fig. 2 - Typical Reverse Current vs. Reverse Voltage, (per Leg)

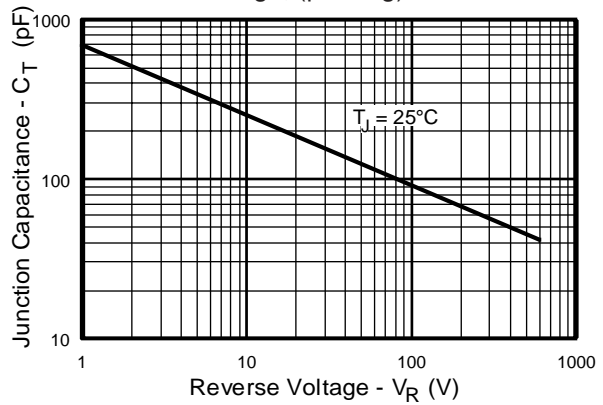


Fig. 3 - Typical Junction Capacitance vs. Reverse Voltage, (per Leg)

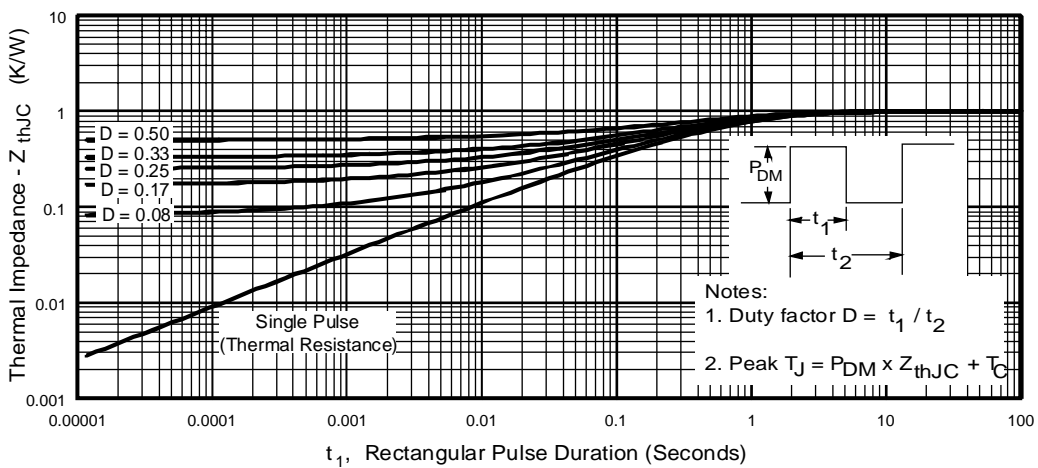


Fig. 4 - Maximum Thermal Impedance Z_{thJC} Characteristics, (per Leg)

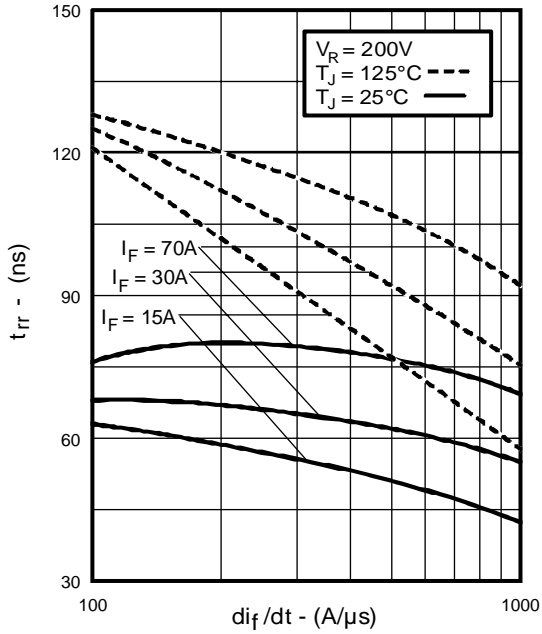


Fig. 5 - Typical Reverse Recovery vs. di_f/dt , (per Leg)

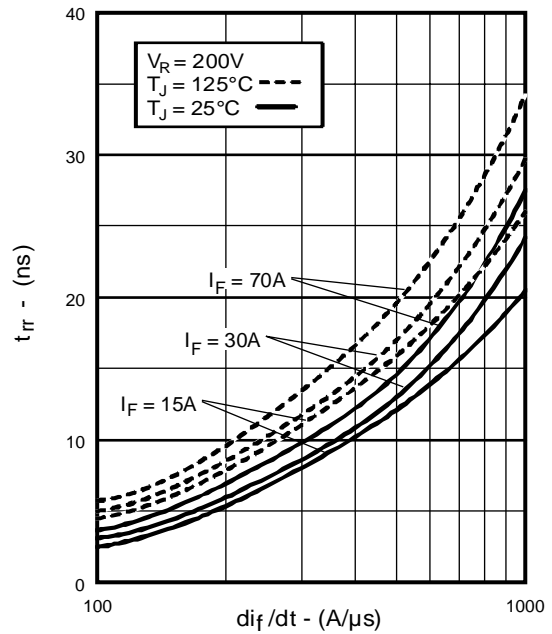


Fig. 6 - Typical Recovery Current vs. di_f/dt , (per Leg)

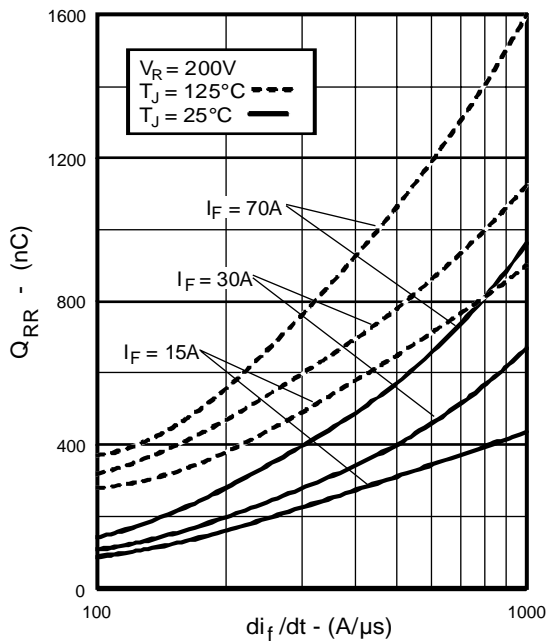


Fig. 7 - Typical Stored Charge vs. di_f/dt , (per Leg)

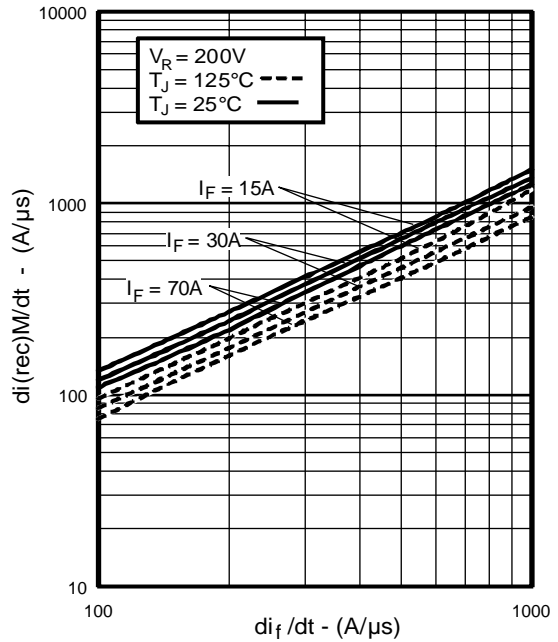


Fig. 8 - Typical $di_{(rec)M}/dt$ vs. di_f/dt , (per Leg)

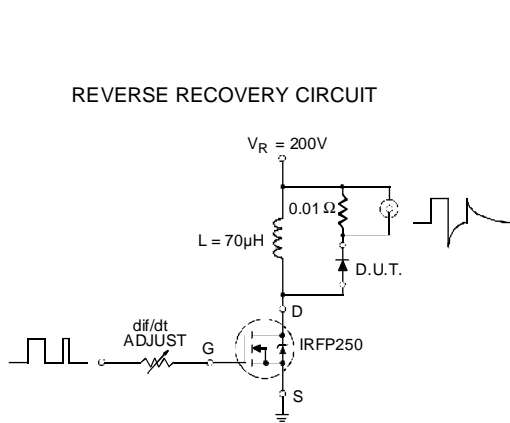


Fig. 9 - Reverse Recovery Parameter Test Circuit

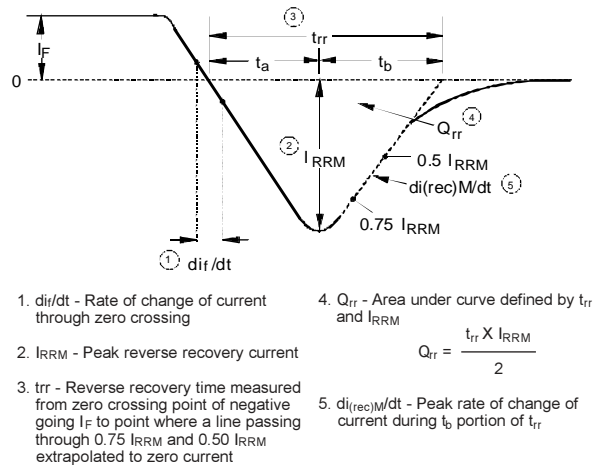


Fig. 10 - Reverse Recovery Waveform and Definitions

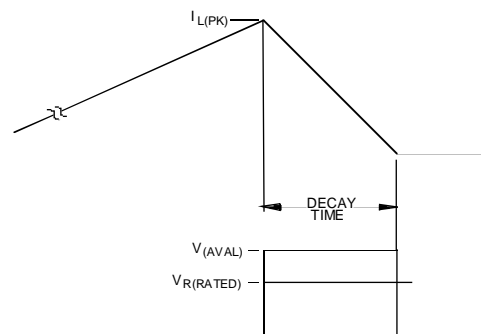
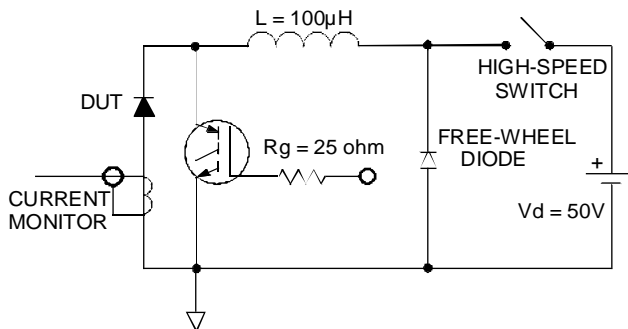


Fig. 11 - Avalanche Test Circuit and Waveforms