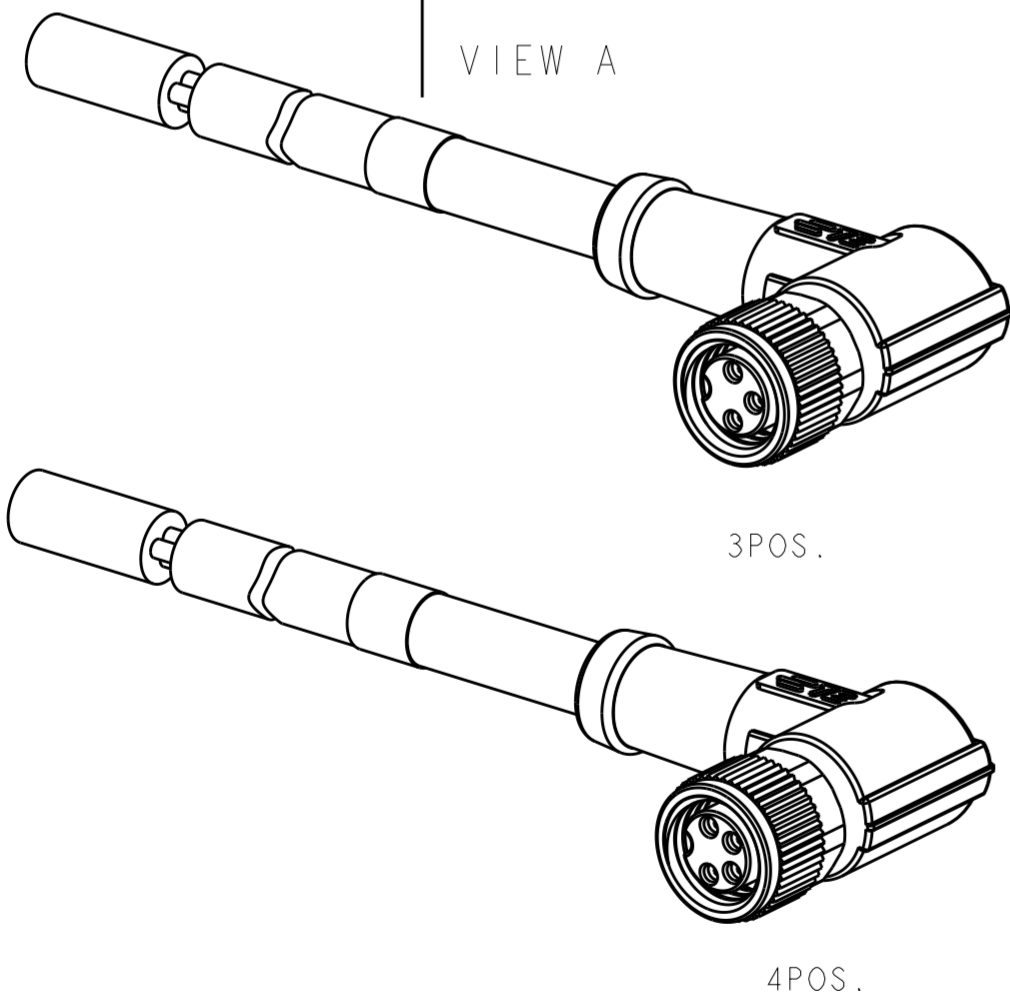
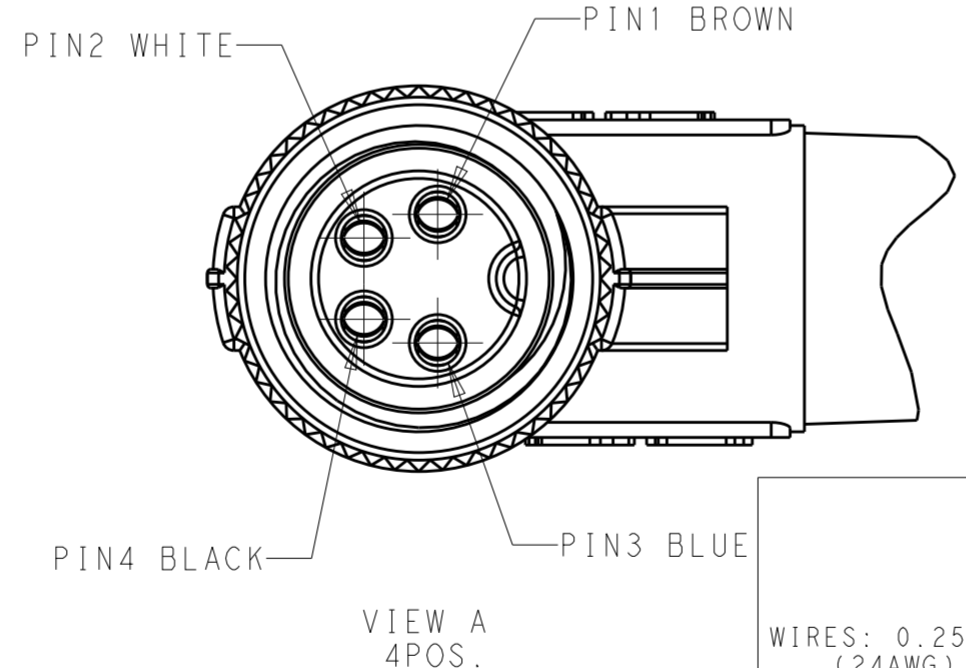
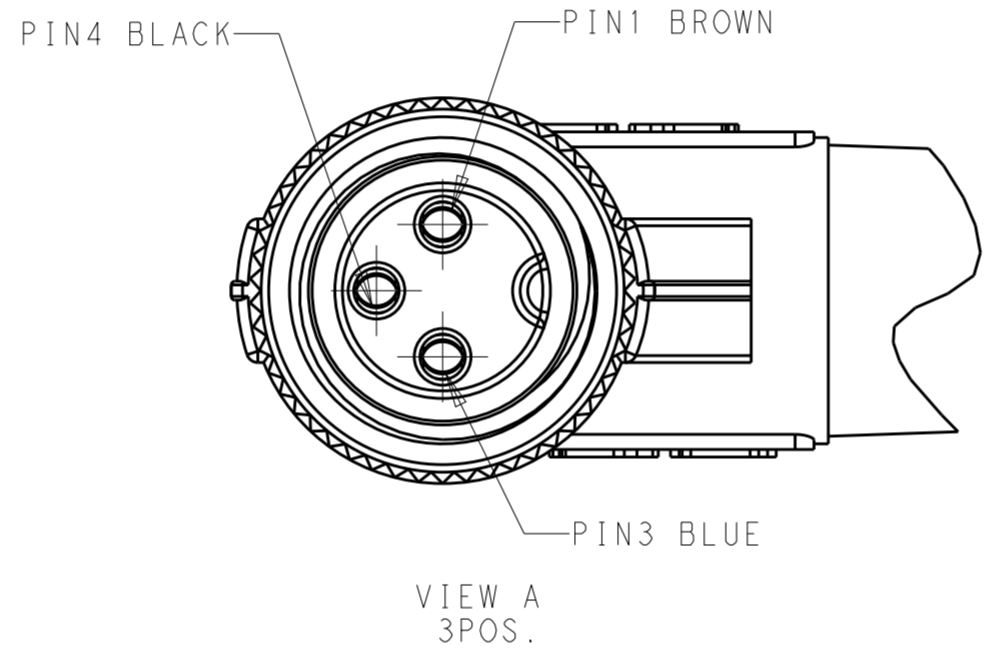
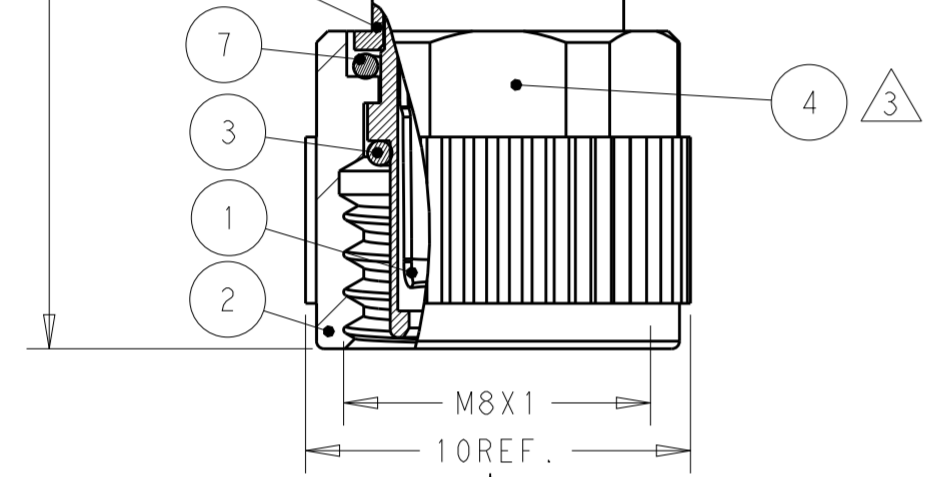
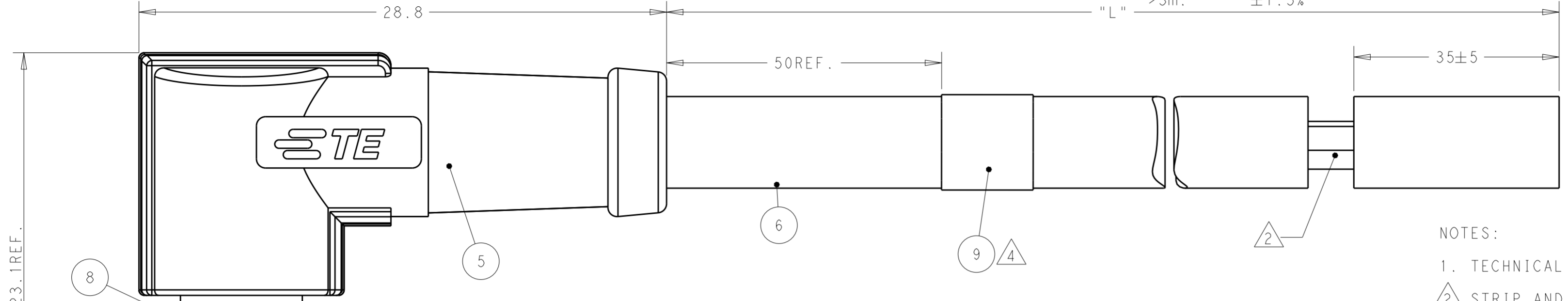


THIS DRAWING IS UNPUBLISHED. RELEASED FOR PUBLICATION 20  
 © COPYRIGHT 20 BY - ALL RIGHTS RESERVED.

REVISIONS				
P	LTR	DESCRIPTION	DATE	APVD
A		INITIAL RELEASE	02MAR2016	N.P X.X
A1		PER ECR-16-010253	21JUL2016	N.P X.X

0m TO 1m: ±0.05m  
 1m TO 3m: ±0.10m  
 >3m: ±1.5%



- NOTES:
1. TECHNICAL DATA: SEE TABLE 1
  2. STRIP AND RETAIN THE INSULATION
  3. RECOMMEND TORQUE 0.4Nm
  4. TE LABEL AREA.
  5. -\*\* : CABLE LENGHT. -0.5:0.5m, -1.0:1.0m, -1.5:1.5m...
  6. ALL PRODUCT MUST COMPLIANCE WITH ROHS AND REACH.
- 注意事项  
 1. 技术参数：见表1  
 2. 剥线并保留绝缘层；  
 3. 推荐扭矩0.4Nm；  
 4. TE 标签位置；  
 5. -\*\*线长：-0.5:0.5m, -1.0:1.0m, -1.5:1.5m  
 6. 产品必须符合ROHS与REACH.

ITEM	DESCRIPTION	MATERIAL	QUANTITY
9	TE LABEL		
8	SHIELDING	BRASS	
7	WAVE WASHER	STEEL	
6	CABLE		
5	OVER-MOLDING	POLYURETHANE	
4	COUPLING NUT	COPPER ALLOY	
3	O-RING	RUBBER	
2	HOUSING	PA66	
1	CONTACT	COPPER ALLOY	

CABLE CHARACTERISTIC	LENGTH "L"	CABLE TEMP. RANGE	JACKET COLOR	JACKET MATERIAL	TYPE	POS.	PART NUMBER
WIRES: 0.25mm <sup>2</sup> (24AWG)	STANDARD: -001: 0.5m -002: 1.0m -003: 1.5m -004: 3.0m -005: 5.0m -006: 7.0m -007: 10.0m	FIXED: -40°C~80°C FLXIBLE: -25°C~80°C	GRAY	PUR (UL)	RPC-M8-FR-4CON-PUR-**SH	4	T4061420004-00X
					RPC-M8-FR-3CON-PUR-**SH	3	T4061420003-00X
	CUSTOMIZATION: -**0: 00.0m -001: **.5m	FIXED: -10°C~80°C FLXIBLE: -5°C~80°C	BLACK	PVC (UL)	RPC-M8-FR-4CON-PVC-**SH	4	T4061410004-00X
					RPC-M8-FR-3CON-PVC-**SH	3	T4061410003-00X

TABLE 1

TECHNICAL DATA	T40614X0003-00X	T40614X0004-00X
RATED VOLTAGE	60V	30V
RATED CURRENT		3A
POLLETION DEGREE		3
OVERVOLTAGE CATEGORY		II
MATERIAL GROUP		II
DEGREE OF PROTECTION		IP67

THIS DRAWING IS A CONTROLLED DOCUMENT.

APVD: Xiang Xu 29JAN2016  
 CHK: Kobby Zhao 29JAN2016  
 DWN: Nick Pan 29JAN2016

TE Connectivity

M8 CABLE ASSEMBLY RIGHT ANGLE SHIELDED, FEMALE, SINGLE ENDED

108-106140

SCALE 1:1 SHEET 1 OF 1 REV A1