

HC-EVO-D15-SLWSC-2SSM20-PLR-BK - Housing



1421465

<https://www.phoenixcontact.com/us/products/1421465>

Please be informed that the data shown in this PDF document is generated from our online catalog. Please find the complete data in the user documentation. Our general terms of use for downloads are valid.



Box mounting bases D15, with single locking latch, material: PA, protective cover material: PC, cable outlets: 2, lateral, 2x M20, height: 52 mm, cable gland: none, protective cover: yes, Standard, including 2x reducing adapter

Your advantages

- Flexible cable outlet direction, lateral or straight
- Lower costs than metal version
- Low weight
- Lower risk of condensation

Commercial data

Item number	1421465
Packing unit	1 pc
Minimum order quantity	1 pc
Sales key	BF57
Product key	BF7APN
Catalog page	Page 526 (C-2-2019)
GTIN	4055626265070
Weight per piece (including packing)	115 g
Weight per piece (excluding packing)	114 g
Customs tariff number	85389099
Country of origin	PL

HC-EVO-D15-SLWSC-2SSM20-PLR-BK - Housing



1421465

<https://www.phoenixcontact.com/us/products/1421465>

Technical data

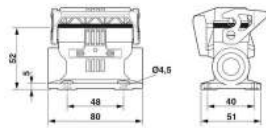
Notes

General	For contact inserts HC-D15, A10
---------	---------------------------------

Product properties

Type	D15
Product type	Housing with locking latch
Application	Standard
No. of cable outlets	2
Type of the screw connection	2x M20
Housing type	Box mounting bases
Protective cover	yes
Series	HC-D
Cable outlet	lateral
Pg screw connection	none

Dimensions

Dimensional drawing	
Width	51 mm
Height	52 mm
Length	80 mm
Hole diameter	4.5 mm

Material specifications

Flammability rating according to UL 94	V0 (Housing)
	V0 (Interlock)
	V0 (Protective cover)
Material, protective cover	PC
Locking latch material	PA
Impact strength	IK08
Housing material	PA

Mechanical properties

Mechanical data

Type of the screw connection	2x M20
Locking type	Latch

Mounting

Assembly instructions	Two M25 to M20 reducing adapters are included
-----------------------	---

1421465

<https://www.phoenixcontact.com/us/products/1421465>

One of the two openings for the screw connections is sealed but can be broken open using a screwdriver.

Environmental and real-life conditions

Ambient conditions

Degree of protection	IP66 (when plugged in or with locked protective cover)
Degree of protection (NEMA)	12 (UL 50e)
Impact strength	IK08
Ambient temperature (operation)	-40 °C ... 125 °C

HC-EVO-D15-SLWSC-2SSM20-PLR-BK - Housing

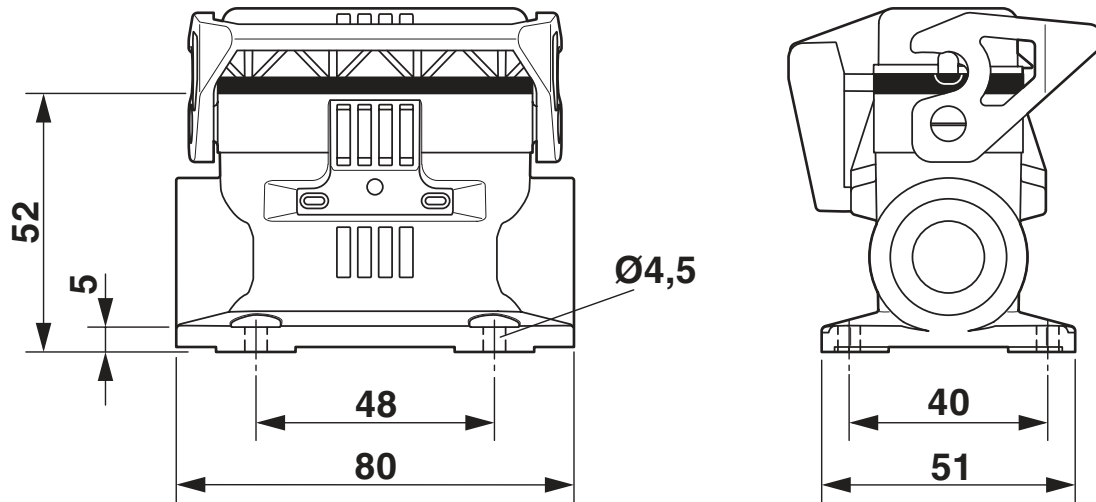


1421465

<https://www.phoenixcontact.com/us/products/1421465>

Drawings

Dimensional drawing



Dimensional drawing

1421465

<https://www.phoenixcontact.com/us/products/1421465>

Approvals

🔗 To download certificates, visit the product detail page: <https://www.phoenixcontact.com/us/products/1421465>

DNV

Approval ID: TAE000037S

ERC

EAC

Approval ID: RU C-DE.AI30.B.01102

ERC

EAC

Approval ID: RU C-DE.BL08.B.00511

1421465

<https://www.phoenixcontact.com/us/products/1421465>

Classifications

ECLASS

ECLASS-11.0	27440202
ECLASS-12.0	27440202
ECLASS-13.0	27440202

ETIM

ETIM 8.0	EC000437
----------	----------

UNSPSC

UNSPSC 21.0	31261500
-------------	----------

HC-EVO-D15-SLWSC-2SSM20-PLR-BK - Housing



1421465

<https://www.phoenixcontact.com/us/products/1421465>

Environmental product compliance

China RoHS	Environmentally friendly use period: unlimited = EFUP-e
	No hazardous substances above threshold values

1421465

<https://www.phoenixcontact.com/us/products/1421465>

Accessories

REDUC-K-KV-M25/M20 BK - Reducing adapter

1411232

<https://www.phoenixcontact.com/us/products/1411232>



Reducing adapter, connecting thread: M25 x 1.5, color: jet black, with flat gasket

G-INS-M20-S68N-PNES-BK - Cable gland

1411133

<https://www.phoenixcontact.com/us/products/1411133>



Cable gland, material for screw connection: PA, external cable diameter 6 mm ...
12 mm, shielding: no, connecting thread: M20 x 1.5, color: jet black RAL 9005

HC-EVO-D15-SLWSC-2SSM20-PLR-BK - Housing



1421465

<https://www.phoenixcontact.com/us/products/1421465>

A-INSP-M20-65N-P-BK - Screw plug

1415206

<https://www.phoenixcontact.com/us/products/1415206>

Screw plug, material for screw connection: PA, connecting thread: M20 x 1.5, color: jet black RAL 9005, with O-ring



HC-D15-SL-PLBK - Housing brackets

1414667

<https://www.phoenixcontact.com/us/products/1414667>

Replacement plastic single locking latch, for HC-EVO-D15.....BK housing



HC-EVO-D15-SLWSC-2SSM20-PLR-BK - Housing



1421465

<https://www.phoenixcontact.com/us/products/1421465>

HC-M-D15-MF-HB - Module carrier frame

1062122

<https://www.phoenixcontact.com/us/products/1062122>

Module carrier frame, size: D15, 0.14 mm² ... 2.5 mm², application: Module carrier frame, for size D15 housings



HC-D15-BC-HI-PLBK - Protective cover

1414673

<https://www.phoenixcontact.com/us/products/1414673>

Protective cover D15, for single locking latch, protective cover material: PC, height: 15.2 mm, seal: no



Phoenix Contact 2023 © - all rights reserved
<https://www.phoenixcontact.com>

Phoenix Contact USA
586 Fulling Mill Road
Middletown, PA 17057, United States
(+717) 944-1300
info@phoenixcon.com