

- 1
- 2
- 3
- 4
- 5
- 6
- 7
- 8
- 9
- 10
- 11
- 12
- 13
- 14
- 15
- 16
- 17
- 18

MATERIAL

Glass-fibre reinforced polypropylene based (PP) technopolymer, black colour, matte finish.

BOSS CAP

- ECB.I: polyester based technopolymer (PBT) in Elecolors colours, glossy finish, press-fit assembly. Supplied.
Available also as accessory sold separately (see table).

STANDARD EXECUTION

Black-oxide steel boss, H7 reamed hole.
Revolving handle EBS+x (see page375) in technopolymer, not removable.

SPECIAL EXECUTIONS ON REQUEST

Bosses with hole and keyway in compliance with DIN 6885/1 tolerance P9 (see page A-16).
To order the handwheel with keyway add the index -K after the code and the description (i.e. 208311-K- EYK.400+EBS A-20-K-).
For sufficient quantities: executions with locking device (Elesa patent) (see page 128).
The three-arm handwheels can be customised with marks, logo or special graphics (tampoprinting). The handwheels or handles can be supplied also in special coloured technopolymer.

ERGONOMY AND DESIGN

The three equidistant arms (120°) offer a perfect grip and the greatest operational easiness, also to disabled people. The rounded lines, the special compact and ergonomic shape of EYK. handwheel design together with the absence of cavities offer an excellent level of safety for hands during the steering operations.

ACCESSORIES ON REQUEST

- GN 184: axial retaining washer in black-oxide steel (see page 897).
- ECB.I: boss cap in polyester based technopolymer (PBT) in Elecolors colours, glossy finish, press-fit assembly (see table).



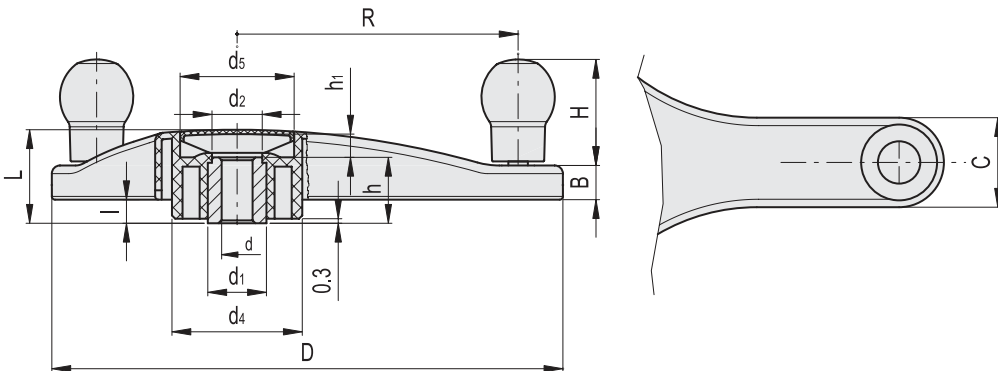
ERGOSTYLE® ELESA Original design

- C1**
RAL7021
- C2**
RAL2004
- C3**
RAL7035
- C4**
RAL1021
- C5**
RAL5024
- C6**
RAL3000

ECB.I

| Code | Description | Boss cap for |
|---------|-------------|--------------|
| 29451-* | ECB.I3-* | EYK.275/401 |

* Complete with colour index (C1, ..., C6).



| Conversion Table | |
|-------------------|-------|
| 1 mm = 0.039 inch | |
| D | |
| mm | inch |
| 275 | 10.83 |
| 400 | 15.75 |

- * Complete with colour index, example: 208111-C2 EYK.275+I A-20-C2
- C1**
RAL7021
 - C2**
RAL2004
 - C3**
RAL7035
 - C4**
RAL1021
 - C5**
RAL5024
 - C6**
RAL3000

METRIC

| Code | Description | D | dH7 | L | B | d1 | d2 | d4 | d5 | h | h1 | I | C | H | R | C# [Nm] | L# [J] | Δ |
|----------|--------------------|-----|-----|----|----|----|----|----|----|----|----|------|----|----|-------|---------|--------|-----|
| 208111-* | EYK.275+EBS A-20-* | 275 | 20 | 54 | 21 | 35 | 33 | 76 | 70 | 38 | 14 | 19.5 | 50 | 65 | 112.5 | 270 | 12 | 769 |
| 208311-* | EYK.400+EBS A-20-* | 400 | 20 | 54 | 21 | 35 | 33 | 80 | 70 | 38 | 14 | 12 | 55 | 65 | 172.5 | 270 | 16 | 955 |

For maximum torque (C) and impact strength (L) see Technical data on page A-3.

Handwheels and crank handles