

THIS DRAWING IS UNPUBLISHED. RELEASED FOR PUBLICATION AUG ,2006.

© COPYRIGHT BY TYCO ELECTRONICS CORPORATION. ALL RIGHTS RESERVED.

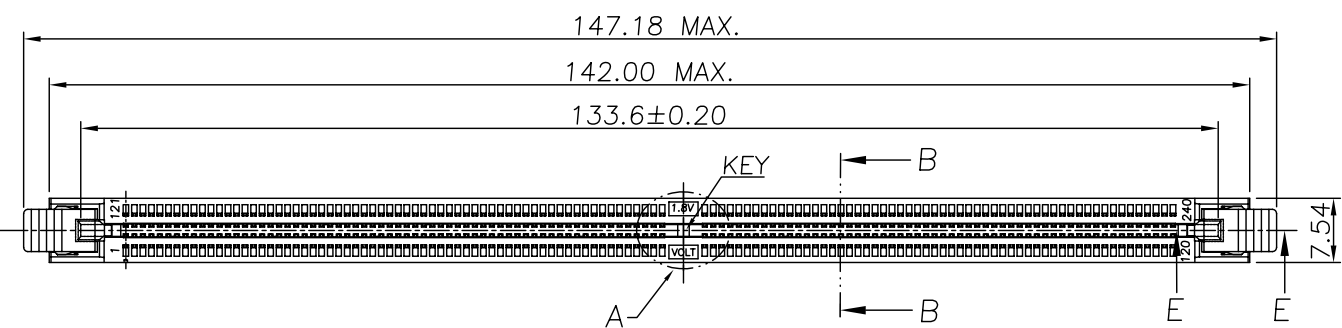
LOC DW DIST

REVISIONS

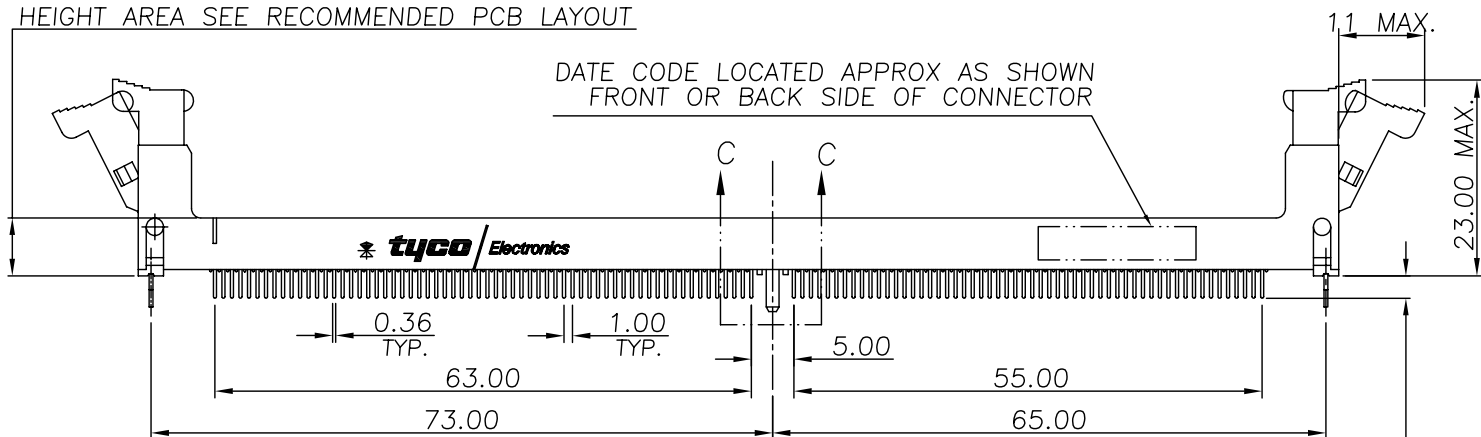
P	LTR	DESCRIPTION	DATE	DWN	APVD
G2		REVISED (ECR-08-030438)	02DEC'08	EL	WK

NOTES:

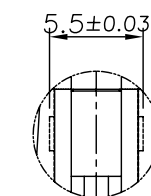
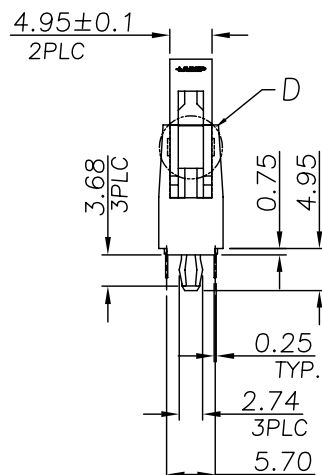
- MATERIAL:
 - HOUSING: THERMOPLASTIC(PA46), UL94V-0; COLOR:SEE TABLE.
 - EXTRACTOR: THERMOPLASTIC, UL94V-0; COLOR:SEE TABLE.
 - CONTACTS: PHOSPHOR BRONZE
 - BOARDLOCK: BRASS
- FINISH:
 - CONTACT:
 - GOLD PLATING ON CONTACT AREA, 100µ" MIN. MATTE TIN PLATING ON SOLDER TAIL AREA, 50µ" MIN. NICKEL UNDERPLATING OVERALL.
 - BOARDLOCK:
 - 100µ" MIN. MATTE TIN PLATING ON SOLDER TAILS, 50µ" MIN. NICKEL UNDERPLATING OVERALL.
- WAVE SOLDER CAPABLE TO 265°C PER TE SPEC. 109-202, CONDITION B.



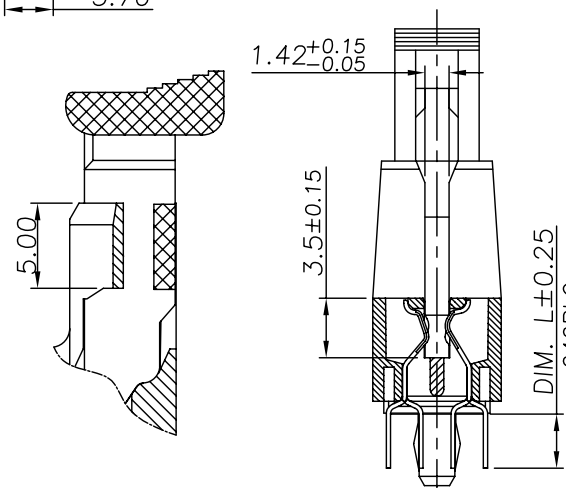
6.8 IN EXTRACTOR SHADOW MAX. COMPONENT HEIGHT AREA SEE RECOMMENDED PCB LAYOUT



2.67±0.25 FOR 1.6(.063")THK PCB
3.18±0.25 FOR 2.36(.093")THK PCB

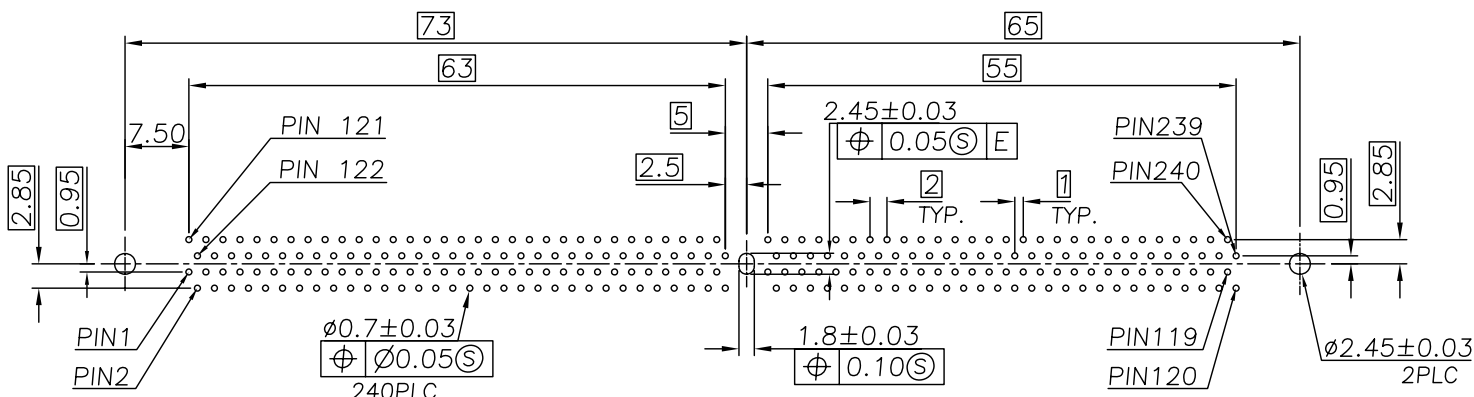


DETAIL D SCALE 2:1

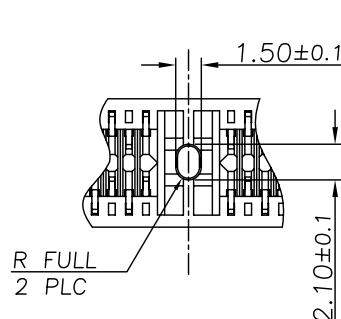


SECT E-E SCALE 2:1

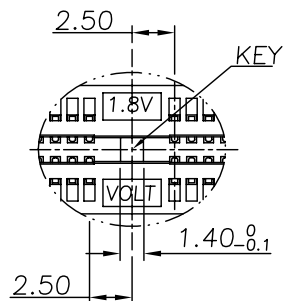
SECT B-B SCALE 2:1



RECOMMENDED PCB LAYOUT



SECT C-C SCALE 2:1



DETAIL A (1.8V) SCALE 2:1

THIS DRAWING IS A CONTROLLED DOCUMENT.		DWN S. HOU 24AUG2007	Tyco Electronics Corporation Taipei, Taiwan	
DIMENSIONS: MM		CHK W.J. KE 24AUG2007	NAME	
TOLERANCES UNLESS OTHERWISE SPECIFIED:		APVD W.J. KE 24AUG2007	PRODUCT SPEC	
0 PLC ± -		108-57376		
1 PLC ± 0.3		QUALIFICATION TEST REPORT		
2 PLC ± 0.2		501-57407		
3 PLC ± -		WEIGHT 9.4 GRAMS		
4 PLC ± -		CUSTOMER DRAWING		
ANGLES ± 3'		SIZE A3 CAGE CODE 00779 DRAWING NO. C=1775802		
MATERIAL SEE NOTE		FINISH SEE NOTE		RESTRICTED TO
		SCALE - SHEET 1 OF 3		REV G2

4

3

2

1

THIS DRAWING IS UNPUBLISHED.

RELEASED FOR PUBLICATION

AUG ,2006.

© COPYRIGHT BY TYCO ELECTRONICS CORPORATION. ALL RIGHTS RESERVED.

LOC

DIST

REVISIONS

DW

P

LTR

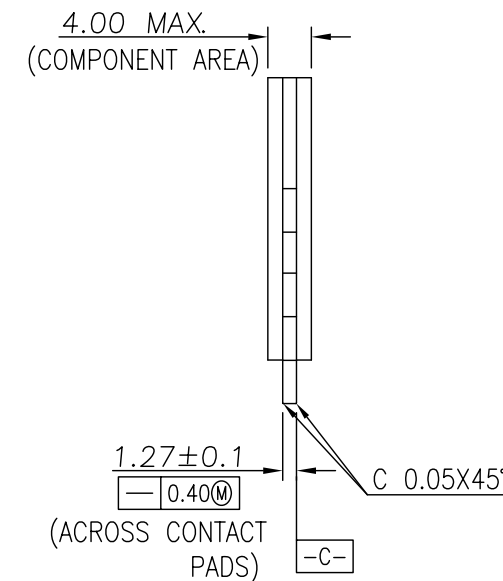
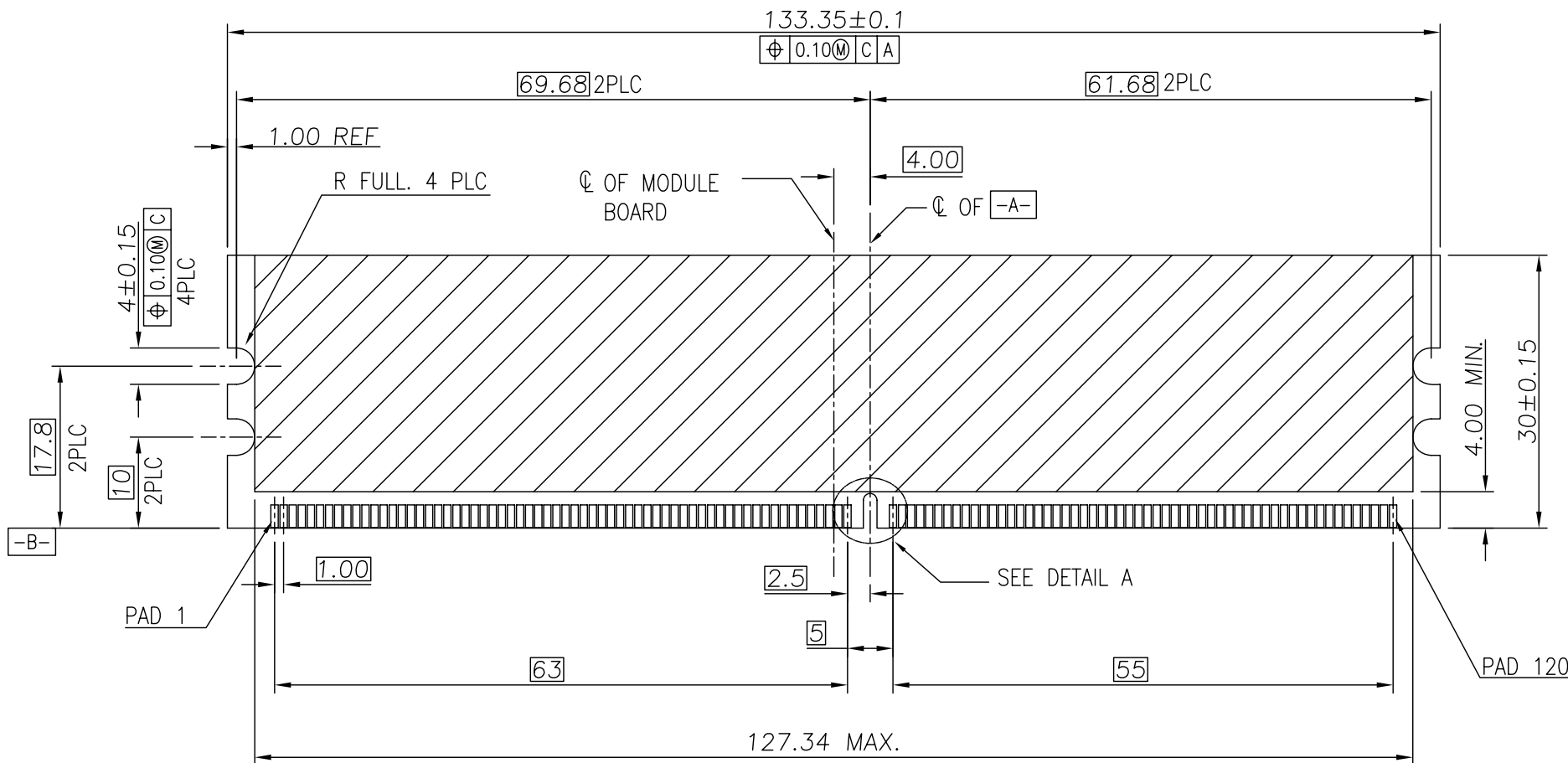
DESCRIPTION

DATE

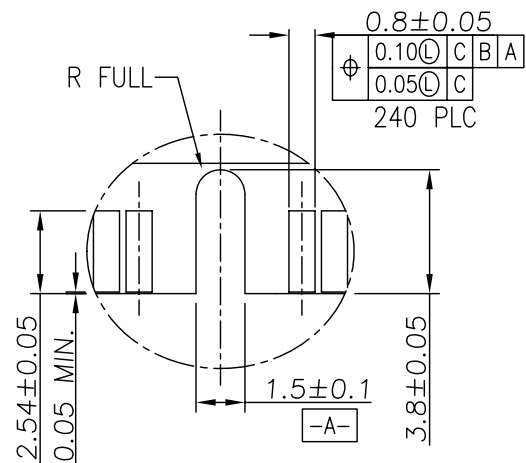
DWN

APVD

SEE SHEET 1



PLUG COMPONENT:DDR II 240P FUNCTION CARD



DETAIL A
SCALE 3:1 (1.8V)

THIS DRAWING IS A CONTROLLED DOCUMENT.		DWN		Tyco Electronics Corporation Taipei, Taiwan	
DIMENSIONS: MM		TOLERANCES UNLESS OTHERWISE SPECIFIED:		NAME	
		0 PLC ± 0.1 1 PLC ± 0.05 2 PLC ± 0.02 3 PLC ± 0.005 4 PLC ± ANGLES ± 0.5°		PRODUCT SPEC QUALIFICATION TEST REPORT	
MATERIAL SEE NOTE		FINISH SEE NOTE		WEIGHT CUSTOMER DRAWING	
		DWN		Tyco Electronics Corporation Taipei, Taiwan	
		CHK		NAME	
		APVD		DDRII 240PIN SOCKET CONNECTOR	
		PRODUCT SPEC		SIZE A3 CAGE CODE 00779 DRAWING NO C-1775802	
		QUALIFICATION TEST REPORT		RESTRICTED TO	
		WEIGHT		SCALE	
		CUSTOMER DRAWING		SHEET 2 OF 3	
				REV G2	

THIS DRAWING IS UNPUBLISHED.

RELEASED FOR PUBLICATION

AUG ,2006.

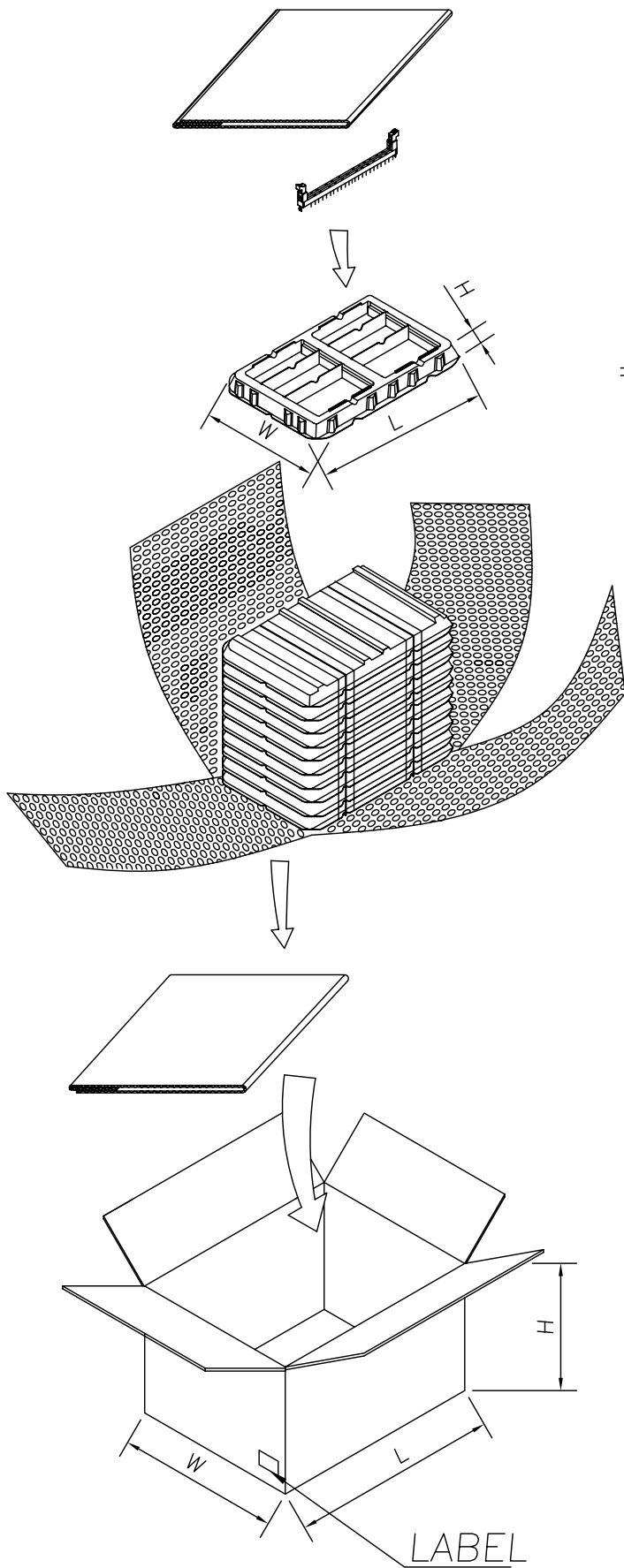
© COPYRIGHT BY TYCO ELECTRONICS CORPORATION. ALL RIGHTS RESERVED.

LOC DW

DIST

REVISIONS

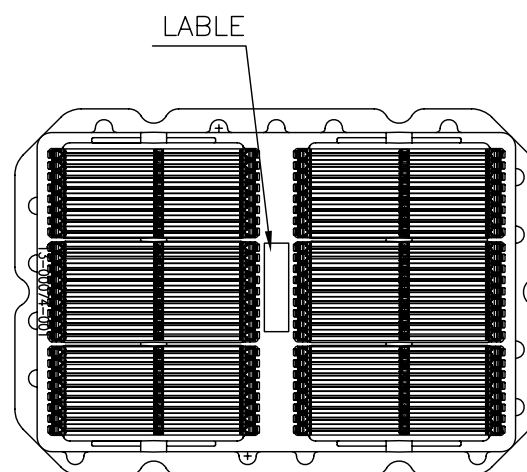
P	LTR	DESCRIPTION	DATE	DWN	APVD
		SEE SHEET 1			



TRAY

NOTES :

- 1. DIMENSION :
 - 1.1 TRAY: L=363, W=255, H=33
 - 1.1 SHIPPING BOX: L=380, W=270, H=340
- 2. QUANTITY :
 - 2.1 PRIMARY PACKING: 50 PCS/TRAY
 - 2.2 SECONDARY PACKING: 10 TRAYS/BOX(500PCS)
- 3. WEIGHT :
 - 3.1 NET WEIGHT : 4.7Kg
 - 3.2 GROSS WEIGHT : 6.95Kg



TRAY LAYOUT

SHIPPING BOX

THIS DRAWING IS A CONTROLLED DOCUMENT.		DWN	Tyco Electronics Corporation Taipei, Taiwan		
DIMENSIONS: MM		CHK	NAME		
TOLERANCES UNLESS OTHERWISE SPECIFIED:		APVD	PRODUCT SPEC		
<ul style="list-style-type: none"> 0 PLC ± - 1 PLC ± - 2 PLC ± - 3 PLC ± - 4 PLC ± - ANGLES ± - 		QUALIFICATION TEST REPORT		DDRII 240PIN SOCKET CONNECTOR	
MATERIAL	FINISH	WEIGHT	SIZE	CAGE CODE	DRAWING NO
SEE NOTE	SEE NOTE		A3	00779	C=1775802
CUSTOMER DRAWING			RESTRICTED TO	SCALE	
				SHEET 3 of 3	REV G2