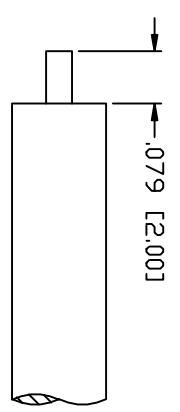
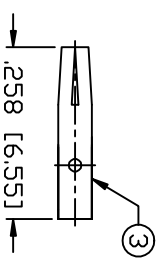
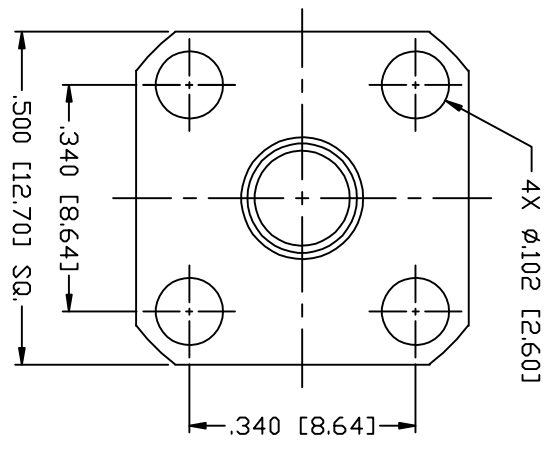
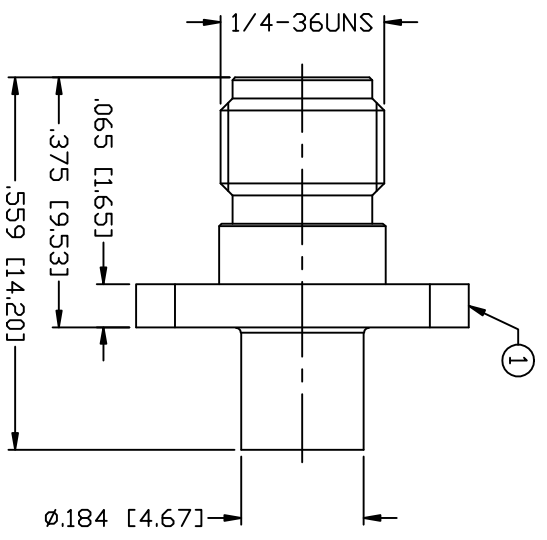
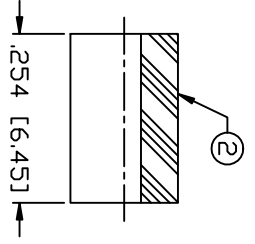


PART NO. **RSA-3570-1-141**

REV	DESCRIPTION	DNW	DATE	APPROVED
-	ENGINEERING RELEASE	CZS	08/16/12	JDMc



RECOMMENDED SOLDER ONLY

RECOMMENDED CRIMPING DIMENSIONS

SPECIFICATIONS:

IMPEDANCE: 50 Ohms
 FREQUENCY RANGE: 0-18 GHz
 INSERTION LOSS(dB): 0.03 x f(GHZ)
 VSWR: 1.3 MAX.
 INSULATION RESISTANCE: 5k M Ohms min.
 TEMPERATURE RANGE: -65°C TO 165°C
 FOR .141 SEMI RIGID, RG-402/U & BELDEN 1673A CABLE

#	DESCRIPTION	QTY	MATERIAL	FINISH
3	CONTACT	1	Be.Cu.	GOLD, 30µ"
2	INSULATOR	1	PTFE	---
1	BODY	1	BRASS	GOLD, 3µ"

CUSTOMER OUTLINE DRAWING	ALL DIMENSIONS ARE REFERENCE ONLY
UNLESS OTHERWISE SPECIFIED: DIMENSIONS ARE IN INCHES AND [MILLIMETERS]	
DRAWN C. ZUNIGA	CHECKED C. ZUNIGA
08/16/12	08/16/12
GRW DRAWN C. ZUNIGA	

ROHS COMPLIANT

PROPRIETARY AND CONFIDENTIAL
 THIS DRAWING CONTAINS
 INFORMATION PROPRIETARY TO
 RF INDUSTRIES. ANY
 UNAUTHORIZED USE OF THIS
 DRAWING IS EXPRESSLY
 PROHIBITED WITHOUT WRITTEN
 PERMISSION FROM RF
 INDUSTRIES. ANY VIOLATION IS
 PUNISHABLE UNDER U.S.
 COPYRIGHT LAWS.

RF COMMUNICATIONS
 DIVISION OF RF INDUSTRIES, LTD. (959) 549-6345 FAX

SMA JACK
 FOUR HOLE FLANGE

7610 MIRAMAR RD.
 SAN DIEGO, CA 92126
 (959) 549-6340

SIZE	CABLE GROUP	DWG NO.	REV
A	SR2	RSA-3570-1-141	---

SCALE: NTS ENGINEERING ID: 000713 SHEET 1 OF 1