

4

3


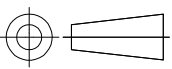
2

1

THIS DRAWING IS UNPUBLISHED. RELEASED FOR PUBLICATION JAN , 2007.
 © COPYRIGHT 2007 By - ALL RIGHTS RESERVED.

LOC	DIST	REVISIONS					
		P	LTR	DESCRIPTION	DATE	DWN	APVD
E	B		A	FIRST ISSUE	02JAN07	JMS	FWK
			B	ECO-09-001149	15JAN09	ASN	BOB
			C	REVISED PER ECO ECO-11-021584	01NOV11	TITAN	MARTIN

OBSOLETE

THIS DRAWING IS A CONTROLLED DOCUMENT.		DWN J.SANDWELL 02JAN07	 TE Connectivity		
DIMENSIONS: mm		CHK S.PARLOW 02JAN07			
TOLERANCES UNLESS OTHERWISE SPECIFIED:		APVD F.WHEELER-KING 02JAN07	NAME M-UHF ELBOW PCB SOCKET		
		PRODUCT SPEC 108-112000	RESTRICTED TO		
0 PLC ± 0.5 1 PLC ± 0.3 2 PLC ± 0.2 3 PLC ± - 4 PLC ± - ANGLES ± -		APPLICATION SPEC -	SIZE A3	CAGE CODE 00779	DRAWING NO C-1814820
MATERIAL -	FINISH -	WEIGHT -	SCALE NTS		
CUSTOMER DRAWING			SHEET 1 OF 1	REV C	