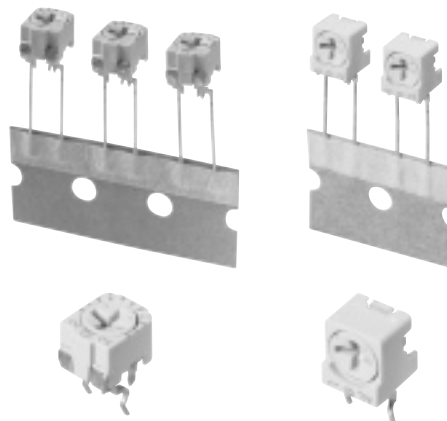


6 mm Square Dustproof Ceramic Trimmer Potentiometers  
(Cermet, Radial Taping, with Knob Protection)

Type: **EVMEYS/EVMEVS**  
(High-Reliability Type, Radial Taping)  
**EVMEYG/EVMEVG**  
(High-Reliability Type, Bulk)



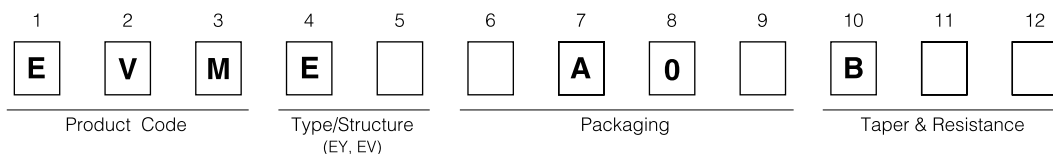
### ■ Features

- No readjustment needed through Rotor protected Structure for careless slip
- Excellent mounting efficiency due to cubic shape suited to automatic pick-and-place assembly equipment
- Power Rating: 0.5 W max.
- Temperature Coefficient of Resistance: within  $\pm 100 \times 10^{-6}/^{\circ}\text{C}$
- Conforming to JIS C5261

### ■ Recommended Applications

- Audio visual equipment, Office Automation equipment, Communication equipment
- Other general electronic equipments

### ■ Explanation of Part Numbers



\*For the details of Part Number, refer to page EV21.

### ■ Major Specifications

Total Resistance Value	1 k $\Omega$ to 2 M $\Omega$
Resistance Tolerance	$\pm 20\%$
Power Rating	70 $^{\circ}\text{C}$ ... 0.5 W (125 $^{\circ}\text{C}$ ... 0 %)
Maximum Operating Voltage	200 V
Rotation Torque	2 to 30 mN · m
Stopper Strength	50 mN · m nim.
Temperature Coefficient of Resistance	$\pm 100 \times 10^{-6}/^{\circ}\text{C}$

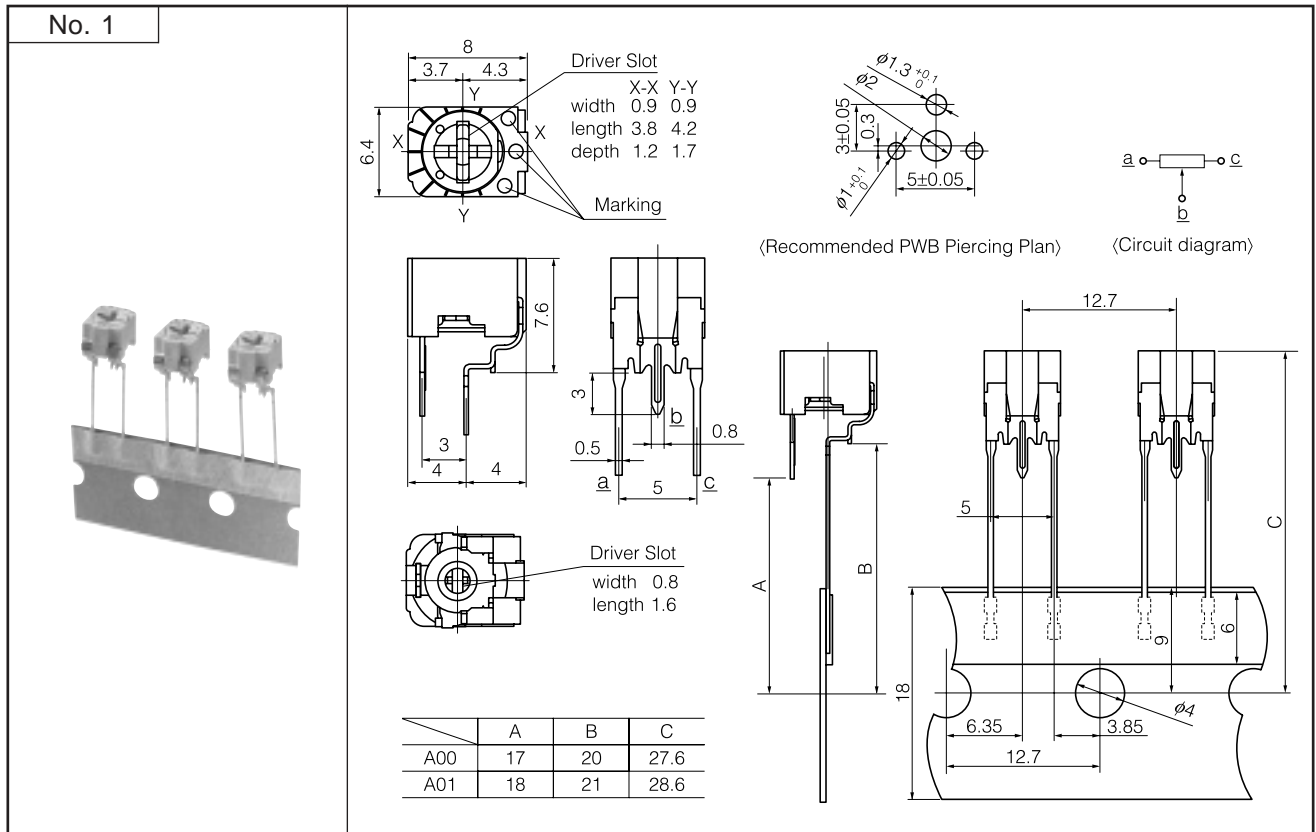
### ■ Minimum Quantity/Packing Unit

Part Number	Radial taping		Bulk	
	Quantity per Box	Packaging quantity	Quantity per pack	Packaging quantity
EVMEYS EVMEVS	1000	10000	—	—
EVMEYG EVMEVG	—	—	200	2000

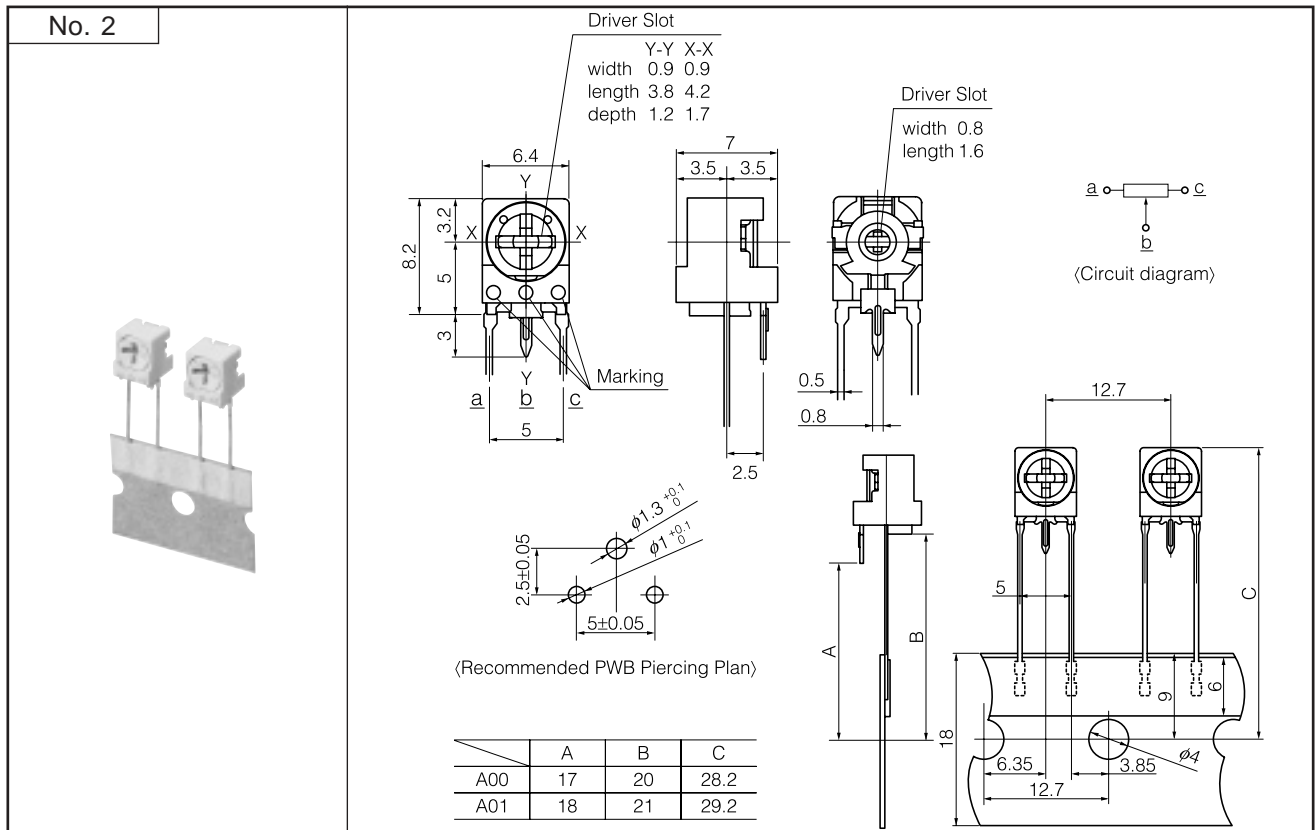
■ Dimensions in mm (not to scale)

● Radial tapering

● 3-terminal, Top-adjust, Closs/Ordinary Slots ..... EVMEYS



● 3-terminal, Side-adjust, Closs/Ordinary Slots ..... EVMEYS




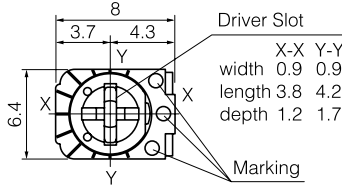
■ Dimensions in mm (not to scale)

● Bulk

● 3-terminal, Top-adjust, Closs/Ordinary Slots ..... EVMEYG

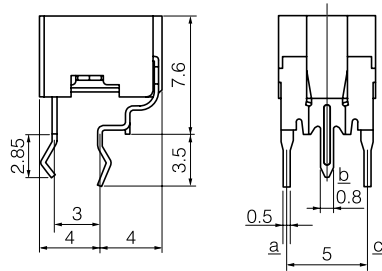
**No. 3**

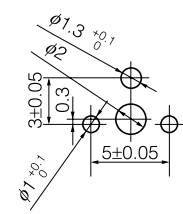




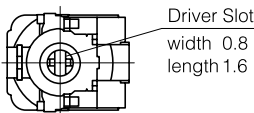
Driver Slot  
 X-X Y-Y  
 width 0.9 0.9  
 length 3.8 4.2  
 depth 1.2 1.7

Marking

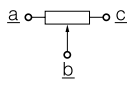




⟨Recommended PWB Piercing Plan⟩




Driver Slot  
 width 0.8  
 length 1.6

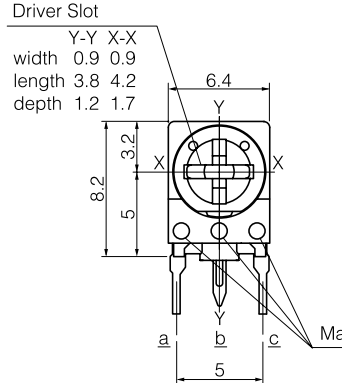


⟨Circuit diagram⟩

● 3-terminal, Side-adjust, Closs/Ordinary Slots ..... EVMEVG

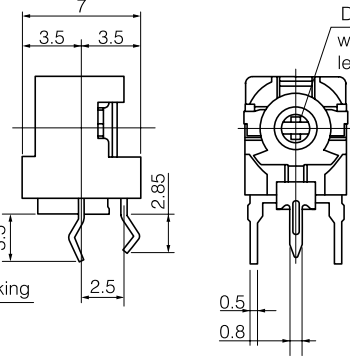
**No. 4**

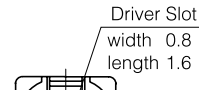




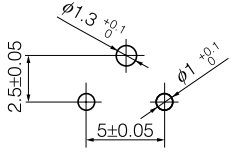
Driver Slot  
 Y-Y X-X  
 width 0.9 0.9  
 length 3.8 4.2  
 depth 1.2 1.7

Marking

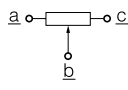




Driver Slot  
 width 0.8  
 length 1.6



⟨Recommended PWB Piercing Plan⟩



⟨Circuit diagram⟩

### ■ Explanation of Part Numbers

Type	Symbol
6 mm Square Dustproof Radial Taping with Knob Protection	EVMEA, EVMEG EVMEE, EVMEY, EVMEV
6 mm Square Dustproof Radial Taping	EVMAA, EVMAE
6 mm Square Dustproof Bulk	EVM49, EVM4L
5 mm Square Dustproof Bulk	EVM2A
4 mm Square Dustproof Bulk	EVML1, EVML4

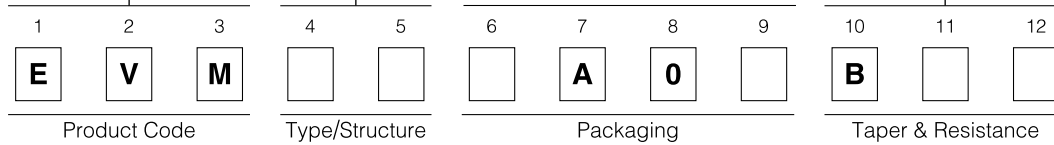
10 th Taper B	11 th Significant Number of resistance	12 th Number of zero
---------------------	--	-------------------------

Example:

Resistance	Symbol
500 Ω	52
47 kΩ	Q4
1 MΩ	16

Note: When significant number is odd, letters are assigned as shown below.

11th	Significant number
C	1.5
E	2.2
Y	3.3
Q	4.7
S	6.8



Symbol	Packaging
GA00	Bulk Standard
SA00	Radial taping height 20 mm
SA01	Radial taping height 21 mm