

LTR	DATE	REVISION		CHK	APD
A	6/27/13	508692ERA-RELEASED	FYUE		

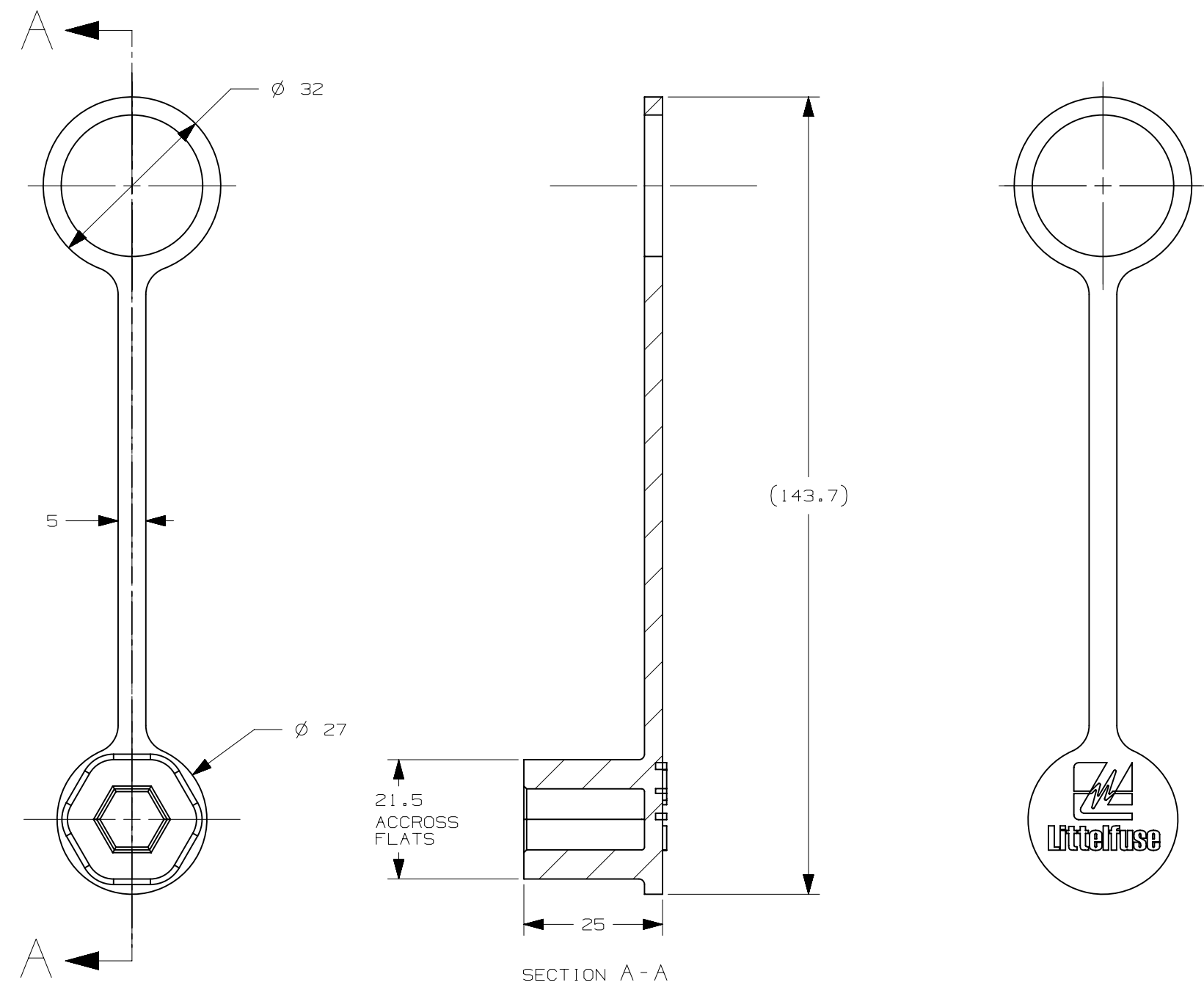


FIGURE 1. M8 STUD CAP

PART #	BASE PART	DESCRIPTION	FIGURE
09230025LXRED	923-025-001	STUD CAP-3/8" RED	2
09230025LXBLK	923-025-002	STUD CAP-3/8" BLACK	2
09230025LXREDM8	923-025-003	STUD CAP-M8 RED	1
09230025LXBLKM8	923-025-004	STUD CAP-M8 BLACK	1

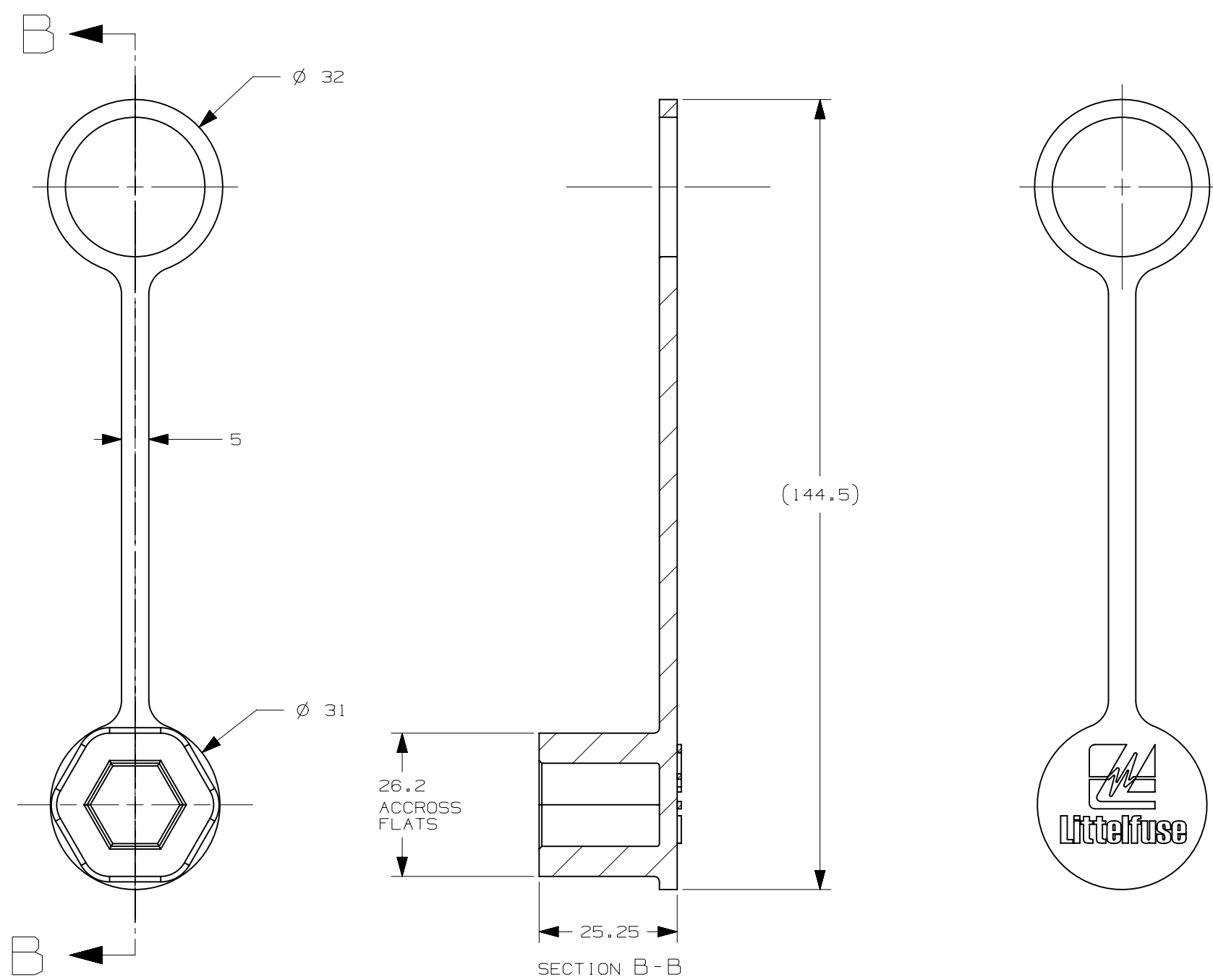


FIGURE 2. 3/8" STUD CAP

NO	COMPONENT NO	DESCRIPTION	QTY/M	U/M
BILL OF MATERIAL				
UNLESS OTHERWISE SPECIFIED, DIMENSIONS ARE IN MILLIMETERS. DIMENSIONS IN BRACKETS [] ARE INCHES				
UNLESS OTHERWISE SPECIFIED, DIMENSIONS DO NOT INCLUDE PLATING.				
⊙	DENOTES CRITICAL CHARACTERISTICS.			
CPK	DENOTES CPK DIMENSIONS, -MINIMUM CPK VALUE			
(ST)	DENOTES A CHARACTERISTIC THAT PROVIDES AN INDICATION OF PROCESS PERFORMANCE. PROCEDURE FOR MEASUREMENT AND TRACKING TO BE DEFINED IN LITTELFUSE INSPECTION INSTRUCTIONS			
CP	DENOTES CP DIMENSIONS, -MINIMUM CP VALUE MUST BE WITHIN THE DIMENSIONAL LIMITATIONS SHOWN ON DRAWING AND INITIALLY LOCATED TO ALLOW FOR MAXIMUM TOOL LIFE			
COPIES TO	MATL SPEC SILICONE			
1 9 18	FINISH SEE CHART FOR COLOR			
2 10 19	DRW FYUE DATE 06/27/13 SCALE 1:1			
3 12 20	CHK DATE SUPER DR			
4 13 21	APPD DATE FINSH GOOD WT			
5 14 23	GRAMS/PIECE			
6 15 33	TOLERANCES UNLESS OTHERWISE SPECIFIED (REF. ISO 2768-MH)			
7 16 43	DIMENSION 0.5 - 3 3 - 6 6 - 30 30 - 120 120 - 400			
8 17 53	TOLERANCE +0.05 +0.05 +0.1 +0.15 +0.2			
3RD ANGLE PROJECTION	TITLE STUD CAPS			
METRIC COMPONENT		Littelfuse		REVISION A
		DRWG. NO. 0L-09230025LX		OUTLINE SERIES
		CHICAGO, USA 773-628-1000		

METRIC COMPONENT

Littelfuse

REVISION A
DRWG. NO. 0L-09230025LX
OUTLINE SERIES

CAD GENERATED DRAWING - NO PENCIL CHANGES ALLOWED (REV C)