

RECOMMENDED PCB LAYOUT

Material and Finish

Insulator: High Temperature Thermoplastic, UL94V-0 Rated, PC99 Pantone 151C Orange Color

Shell: Phosphor Bronze, Tin Plated

Contact Material: Phosphor Bronze

Contact Plating: Gold Flash on Contact Area, Tin Plated on Solder Tails, All over Nickel Underplate

Electrical Characteristics

Rated Current: 1.5A
Rated Voltage: 30V AC

Insulation Resistance: 1,000 Megohms Min.

Contact Resistance: 30 milliohms Max.

Dielectric Withstanding Voltage: 500V AC For 1 Minute

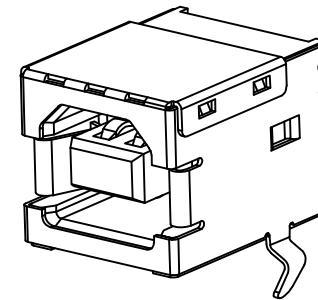
Mechanical Characteristics

Durability: 1500 Mating Cycles Min.

Mating Force: 35N Max.

Extraction Force: 15N Min.

Operating Temperature: -40°C to +85°C



Tolerances

X.X ± 0.25
X.XX ± 0.15
Unless Stated
Otherwise

| REV. | DATE | DESCRIPTION | REV. BY | CHK. BY | DRAWN BY | DATE |
|------|----------|-----------------------------|------------|-------------|----------|----------|
| A0 | 01/11/08 | New Drawing | WILL H. | H. MA | WILL H. | 12/11/07 |
| A1 | 03/14/08 | change shell material & Dim | R. Aguirre | H. MA | | |
| A2 | 04/08/08 | Release Drawing | H. MA | N/A | | UNITS |
| A3 | 05/08/13 | ECO #13-020 | W. Cook | P. DalCanto | | mm |
| A4 | 02/10/15 | ECO #15-015 | D. Gih | H. MA | | |
| A5 | 06/12/15 | Update Operating Temp. | H. MA | W. Cook | | |

KUSBXHT-BS1N-O-HRF

Right Angle, USB B Type, RoHS Compliant

Orange Color, High Retention Force

