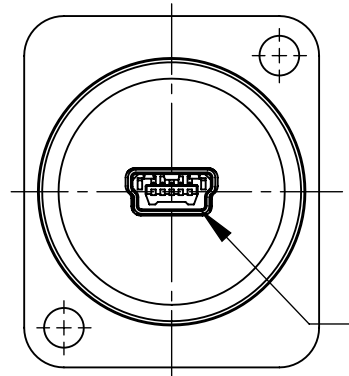
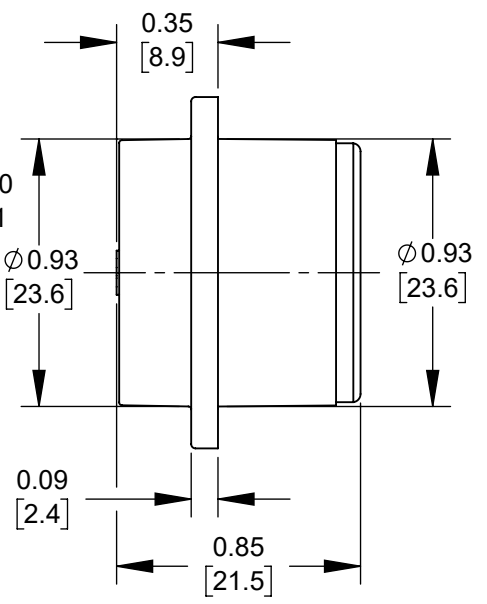
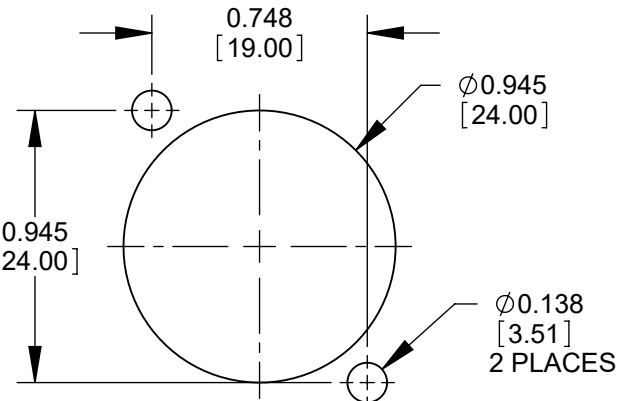
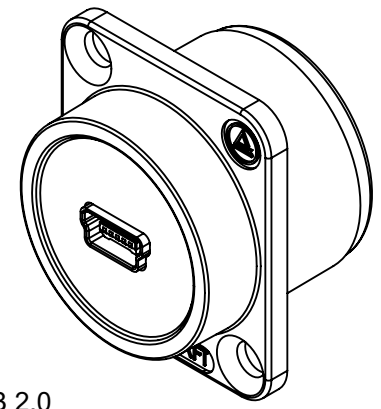


MINI USB 2.0
SEE NOTE 1



MINI USB 2.0
SEE NOTE 1



RECOMMENDED
PANEL CUT-OUT

NOTES:

1. RECEPTACLE IS USB 2.0 MINI TYPE "B".
2. MATERIALS:
 USB 2.0 MINI -
 INSULATOR - THERMOPLASTIC, BLACK
 SHELL - COPPER ALLOY, NICKEL PLATED
 CONTACTS - COPPER ALLOY, GOLD PLATED
 PCB - FR4
 EH HOUSING - THERMOPLASTIC, BLACK
3. THIS PRODUCT IS RoHS COMPLIANT.

CUSTOMER DRAWING

					THIS DRAWING DESCRIBES A DESIGN CONSIDERED PROPRIETARY IN NATURE, DEVELOPED AND MANUFACTURED BY SWITCHCRAFT INC. AND IS RELEASED ON A CONFIDENTIAL BASIS FOR IDENTIFICATION PURPOSES ONLY.				
					SIZE	WIDTH	MULT	LBS/M	TEMPER
					FINISH			MATERIAL	
					SPEC No.			SPEC No.	
					FIRST USED ON		SCALE		
							3:2		
A	28098	10/30/18	PC	TJK	DATE DRAWN	BY	CHKD	APVD	
REV	ECO NUMBER	DATE	BY	APVD	8/22/18	JGK	PC	TJK	
REVISIONS					DO NOT SCALE DRAWING				
					NAME			PART No.	
					EH USB 2.0 MINI FEED-THRU, RoHS			EHUSBMNMN	
								REV	
								A	