

IP67 Connectors: GM67X-CBL Series

Box Side, IP67 Panel Mount Jack with Cable and PLUG

(Must Be Used with GM67X Series Cable Side Part)

Product Features

IP67
Panel Mount
Cable and Plug Termination
Cat. 5 Cable UTP
Optional Cap Available

Performance Specifications

Materials and Finish

Housing Material

Polycarbonate, UL 94V-0 Rated, Black Color

Contact Material

Phosphor Bronze

Nut Material

Polycarbonate, UL 94V-0 Rated, Black Color

Gasket Material

Silicone, UL 94HB Rated, Red Color

Electrical Characteristics

Insulation Resistance

500 Megohms Min.

Dielectric Withstanding Voltage

1000V AC RMS for 1 Minute

Contact Resistance

50 milliohms Max.

Current Rating

1.5A

Voltage Rating

125V DC

Durability

1000 Mating Cycles Min.

Operating Temperature

-40°C to +80°C

Note

*Must be used with GM67X series cable side part

*Kycon can provide custom cable assemblies (mins will apply)

Generated Part Number

GM67X-CBL-152-P

Part Number Builder

GM67X-CBL	-	152	P	
Series		Cable Length	Plug Option	Plating Option

Series

GM67X-CBL - Panel Mount IP67 Modular Jack with Cable and plug

Cable Length

152 - 152mm

304 - 304mm

Plug Option

P - Plug

Plating Option

- Gold Flash

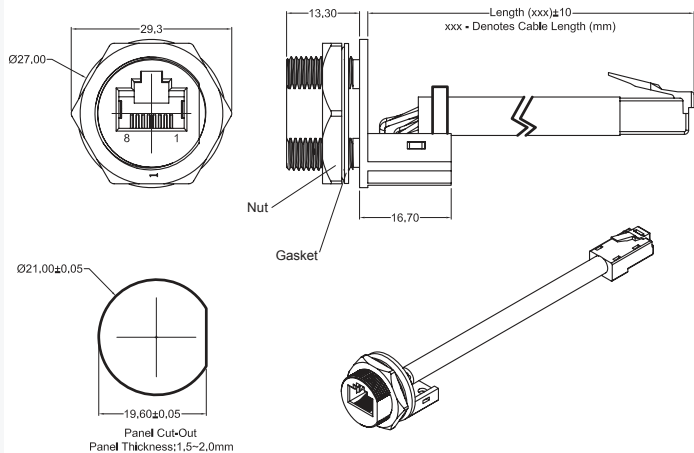
- 50µ" Gold Plating

Contact Kycon For Other Option

GM67X-CBL Series

Dimensions in mm

GM67X-CBL-xxx-P



*Kit includes cable, nut, and gasket

Recommended Nut Torque: 12 Kgf-cm

[Click here for our assembly videos](#)