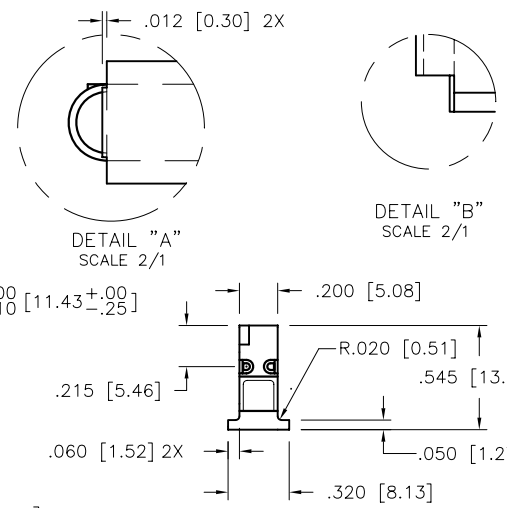
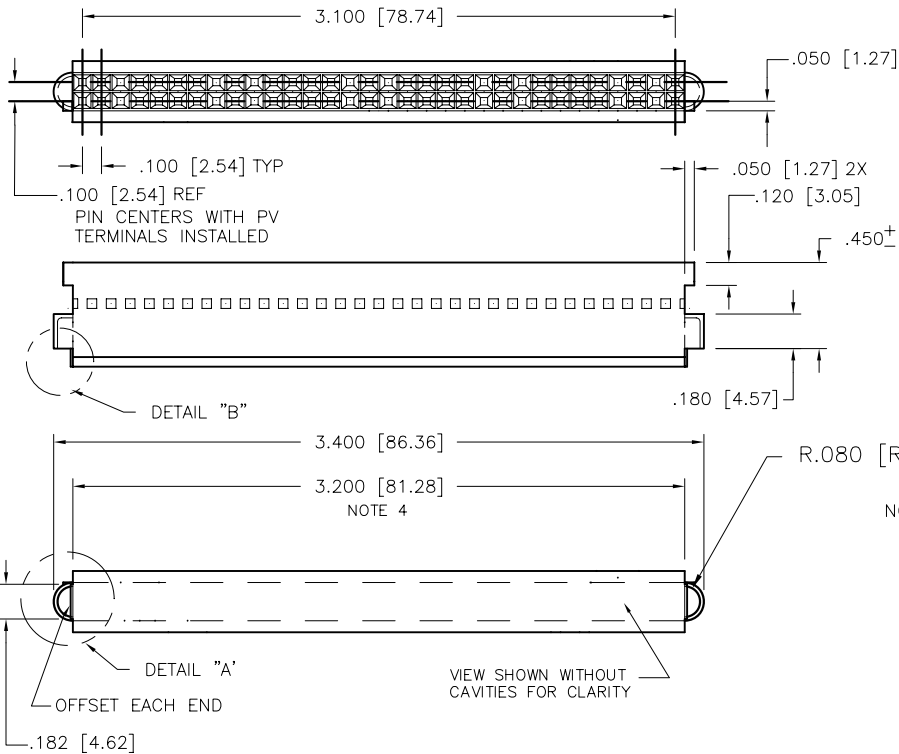
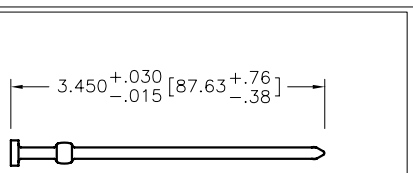


PRODUCT NUMBER	
93207-001	OBSOLETE
93207-001LF	



NOTES:

- (1) MATERIAL: 30% GLASS FIBER REINFORCED PCT, FLAME RETARDANT PER UL-94V-0, COLOR: BLACK.
- (2) RETENTION ROD MATERIAL: NYLON, .030 [0.76] DIAMETER.
- (3) QUANTITY OF RETENTION RODS IS TWO (2) PER HOUSING OF PART NUMBER 65048-013, SUPPLIED WITH HOUSING.
- (4) DO NOT INCLUDE OFFSET IN THIS MEASUREMENT.
- (5) PRODUCT MEETS EUROPEAN UNION DIRECTIVES AND OTHER COUNTRY REGULATIONS AS DESCRIBED IN GS-22-008.
- (6) THIS PRODUCT IS NOT INTENDED TO BE EXPOSED TO MANUFACTURING SOLDER PROCESSES.



RETENTION ROD

mat'l. code		surface		tolerance		projection		product family	
SEE NOTE 1 & 2		✓		✓		⊕		PV HOUSINGS	
ltr	ec'n no	dr	date	tolerances unless otherwise specified		INCH/MM		title	
A	v31845	SAR	1993-10-29	angles	linear	.XX+01/XX+3		GRANTECH MINI ROD HSG.	
B	v60437	MDF	1996-04-03			.XXX+005/XXX+13		2x32 DR .100 [2.54] CC	
C	v01734	RGD	2000-08-14	0°±2'			scale 1.25:1		
D	v05-0718	TAB	2005-07-29	dr	s. ROYER	1993-10-29		dwg no	
E	v06-0454	HTB	2006-05-25	engr	T. HANNA	1993-10-29		sheet 1 of 1 size	
F	v07-0576	HTB	2007-08-29	chr	T. HANNA	1993-10-29		93207	
		appd	T. HANNA	1993-10-29		FCJ		A3	
sheet	revision	F						type Product Customer Drawing	
index	sheet	1							