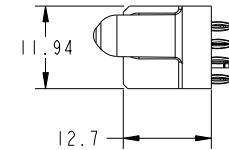
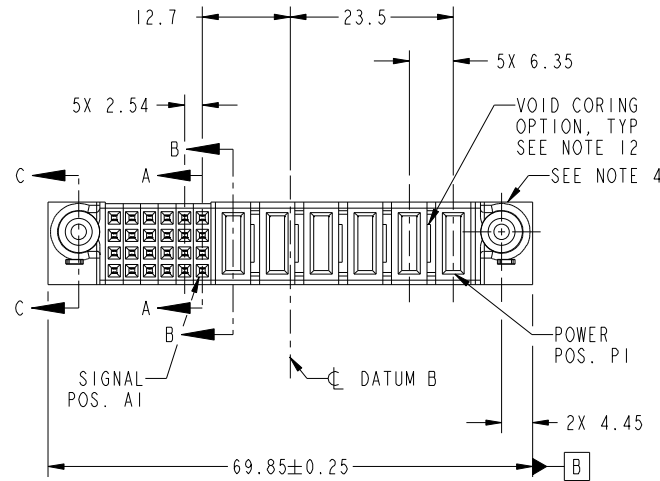


Tous droits strictement reserves. Reproduction ou communication a des tiers interdite sous quelque forme que ce soit sans autorisation écrite du propriétaire. Propriete de c FCI. Droits de reproduction FCI.



All rights strictly reserved. Reproduction or issue to third parties in any form whatever is not permitted without written authority from the proprietor. Property of FCI. Copyright FCI.

PRODUCT NO.	ROWS	SIGNAL					POWER					E1			
		E2	6	5	4	3	2	1	P6	P5	P4		P3	P2	P1
51940-313-- NOTE: 3	D C B A		F	F	F	F	F	F	PC	PF	PF	PC	PF	PC	



CODE	DIM "M" MATING LENGTH	CONTACT TYPE
PF	[2.34]	POWER
F	[N/A]	SIGNAL
HA	[N/A]	HOLD-DOWN
PC	[1.07]	POWER

mat'l code				SEE NOTES		tolerances unless otherwise specified		CUSTOMER		FCI	
ltr	ecn no.	dr	date	linear	0.X ±0.5	projection	title	COPY		www.fciconnect.com	
A	DG09-0291	WD	09/03/09	angles	0.XX ±0.25		6P + 24S				
				dr	0.XXX ±0.1		VERTICAL PRESS-FIT RECEPT				
				enr	0° ±2°	scale	product family	PwrBlade	code		
				chr	Warren Du 08/24/09	1:1	size	dwg no	213		
				appd	Warren Du 08/24/09		A	51940-313	sheet		
					PM ZHENG 08/24/09				1 of 4		
					Joseph Hsia 08/24/09						
sheet index	revision sheet	A	A	A	A						
		1	2	3	4						

cage code 22526

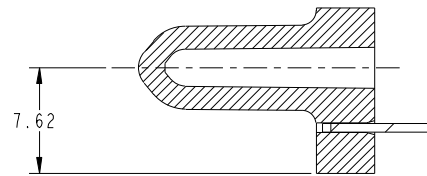
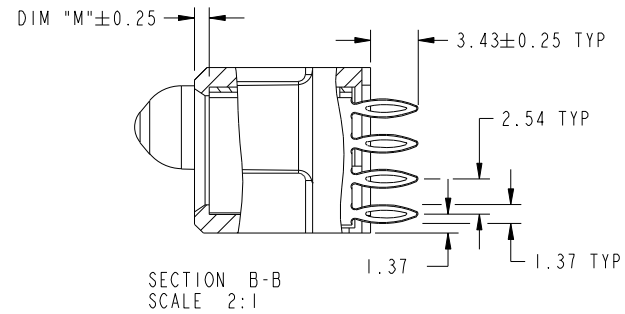
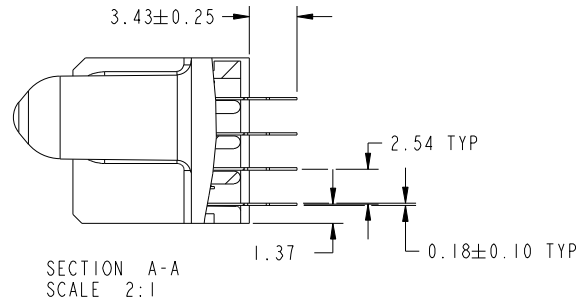
Pro/E

Tous droits strictement reserves. Reproduction ou communication a des tiers interdite sous quelque forme que ce soit sans autorisation écrite du propriétaire. Propriete de c FCI. Droits de reproduction FCI.



All rights strictly reserved. Reproduction or issue to third parties in any form whatever is not permitted without written authority from the proprietor. Property of FCI. Copyright FCI.

PRODUCT NUMBER
51940-313--
NOTE: 3



mat'l code				tolerances unless otherwise specified		CUSTOMER		www.fciconnect.com			
ltr	ecn no.	dr	date	linear	0.X ±0.5	COPY		projection	title 6P + 24S VERTICAL PRESS-FIT RECEIPT		
A					0.XX ±0.25	MIM				product family	PwrBlade
					0.XXX ±0.1	1:1				code	213
				angles	0° ±2°	scale		size	dwg no		
				dr	Warren Du 08/24/09	1:1		A	51940-313		
				enr	Warren Du 08/24/09				sheet		
				chr	PM ZHENG 08/24/09				2 of 4		
				appd	Joseph Hsia 08/24/09						
sheet index	revision sheet										

cage code 22526

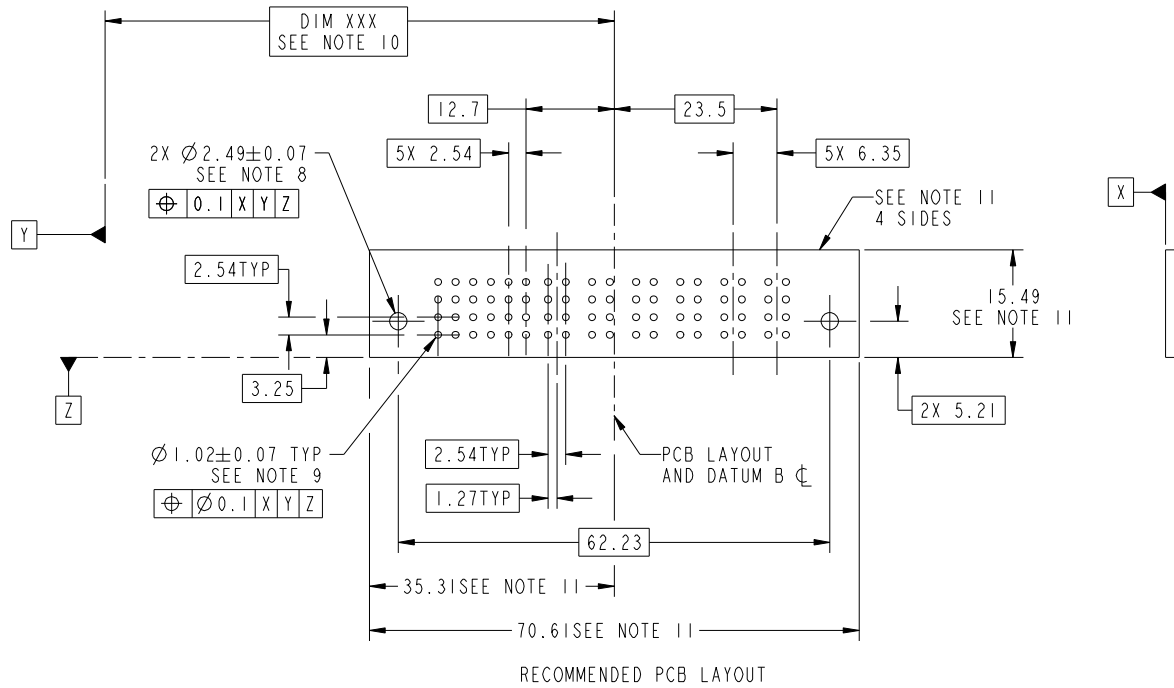
Pro/E

Tous droits strictement reserves. Reproduction ou communication a des tiers interdite sous quelque forme que ce soit sans autorisation écrite du propriétaire. Propriete de c FCI. Droits de reproduction FCI.



All rights strictly reserved. Reproduction or issue to third parties in any form whatever is not permitted without written authority from the proprietor. Property of FCI. Copyright FCI.

PRODUCT NUMBER
51940-313-
NOTE: 3



mat'l code				tolerances unless otherwise specified		CUSTOMER			
ltr	ecn no.	dr	date	linear	0.X ± 0.5	COPY		www.fciconnect.com	
A				linear	0.XX ± 0.25	projection		title 6P + 24S	
				angles	0.XXX ± 0.1			VERTICAL PRESS-FIT RECEPT	
					0° ± 2°			product family	PwrBlade
				dr	Warren Du 08/24/09			size	213
				enr	Warren Du 08/24/09	scale		dwg no	3 of 4
				chr	PM ZHENG 08/24/09	1:1		51940-313	
				appd	Joseph Hsia 08/24/09				
sheet index	revision sheet								

cage code 22526

Pro/E

Tous droits strictement reserves. Reproduction ou communication a des tiers interdite sous quelque forme que ce soit sans autorisation écrite du propriétaire. Propriete de c FCI. Droits de reproduction FCI.



All rights strictly reserved. Reproduction or issue to third parties in any form whatever is not permitted without written authority from the proprietor. Property of FCI. Copyright FCI.

PRODUCT NUMBER
51940-313--
NOTE: 3

NOTES:

1. DIMENSIONS AND TOLERANCES ARE IN ACCORDANCE WITH ASME Y14.5M, 1994 UNLESS OTHERWISE SPECIFIED.

CONNECTOR NOTES:

2 HOUSING MATERIAL: UL 94 V-0 GLASS FILLED HIGH-TEMP THERMOPLASTIC
POWER CONTACT MATERIAL: COPPER ALLOY
SIGNAL PIN MATERIAL: COPPER ALLOY

3. SEE ITEM 7 & 8 IN PRINT 10064183 FOR PLATING SPEC OF 51940-313 AND 51940-313LF RESPECTIVELY.

4 MANUFACTURER'S NAME, P/N, AND DATE CODE TO APPEAR ON THIS SURFACE.

5. PRODUCT SPECIFICATION GS-12-149.
APPLICATION SPECIFICATION BUS-20-067.

6. PACKAGED IN TRAYS.

PCB NOTES:

7. ALL HOLE DIAMETERS ARE FINISHED HOLE SIZE.

8 MOUNTING HOLES, WHERE APPLICABLE, ARE UNPLATED.

9 $\varnothing 1.151 \pm 0.025$ DRILLED HOLES PLATED WITH
0.008 MIN SnPb OR Sn OVER 0.03
TO 0.08 Cu PLATING TO ACHIEVE
 $\varnothing 1.02 \pm 0.07$ HOLE.

10 "DIM XXX" TO BE DETERMINED BY THE CUSTOMER.

11 CONNECTOR KEEP-OUT ZONE.

12. THE VOID CORING IN BETWEEN POWER MODULES, SIGNAL MODULES AND END MODULES ARE OPTIONAL AND THE SHAPE MAY BE DIFFERENT FOR OPTIMIZE THE MOLDING PROCESS. THE VOID CORING WILL NOT EFFECT TO PRODUCT FUNCTION.

mat'l code				tolerances unless otherwise specified		CUSTOMER		FCI	
ltr	ecn no.	dr	date	linear	0.X ± 0.5	COPY		www.fciconnect.com	
A					0.XX ± 0.25	projection	title 6P + 24S		
				angles	0.XXX ± 0.1		VERTICAL PRESS-FIT RECEPT		
				dr	0° ± 2°	MIM	product family	PwrBlade	code
				enrg	Warren Du 08/24/09	←	size	dwg no	213
				chr	Warren Du 08/24/09	→	A	51940-313	sheet
				appd	PM ZHENG 08/24/09	scale	1:1		4 of 4
					Joseph Hsia 08/24/09				
sheet index	revision sheet								

cage code 22526

Pro/E