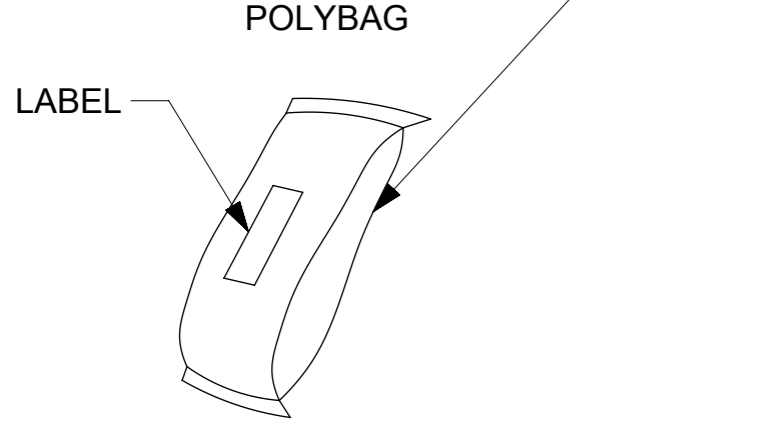
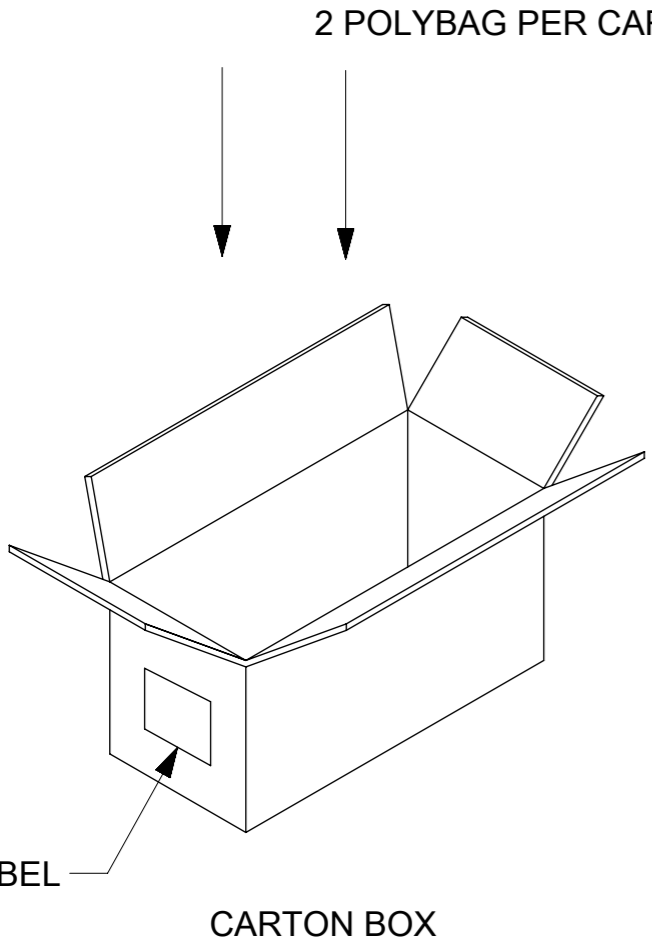


POLYBAG WRAP WITH BUBBLE SHEET



TABLE

CIRCUIT SIZE	PART NUMBER	QTY PER POLYBAG	POLYBAG PER CARTON BOX	SPQ	POLYBAG P/N	BUBBLE SHEET P/N	CARTON BOX P/N
1X2	172877-0002	350	2	700	967130003	885961546	885961040
1X3	-	400	2	800	594120070	-	885961040
1X4	-	300	2	600	594120070	-	885961040
2X2	172877-0040	200	2	400	967130003	885961546	885961040
2X3	-	100	2	200	594120070	-	885961040
2X4	-	50	2	100	594120070	-	885961040



- NOTES:
1. SEAL THE POLYCOVER
 2. LABELING AS PER ES-40000-7012
 3. WRAP THE BUBBLE SHEET TO COVER THE POLYCOVER.
 4. PRIMARY CARTONS TO BE PACKED IN SUITABLE MASTER CARTONS
 5. PACKING SPEC. IS CALCULATED. WILL BE REVISED ON SEEING ACTUALS

QUALITY SYMBOLS FA = 0 FE = 0 FB = 0 FV = 0 FC = 0 FX = 0 FS = 0 FT = 0	THIS DRAWING CONTAINS INFORMATION THAT IS PROPRIETARY TO MOLEX ELECTRONIC TECHNOLOGIES, LLC AND SHOULD NOT BE USED WITHOUT WRITTEN PERMISSION											
	REVISED-RPK TO PK EC NO: 111311 DRWN: ISHWARG CHK'D: REV APPR: KPRASAD	2016/12/08	2016/12/09	GENERAL TOLERANCES (UNLESS SPECIFIED)		DIMENSION UNITS	SCALE					
				ANGULAR TOL ± 0.5 °		MM	1:1					
				4 PLACES ±	DRWN BY DATE		SS06	2015/02/20	PACKAGING SPECIFICATION VALUSEAL PLUG AND RECEPTACLE HOUSING			
				3 PLACES ±	CHK'D BY DATE							
				2 PLACES ± 0.13	APPR BY DATE		RHODGE	2015/04/10	PACKAGING DESIGN DRAWING			
			1 PLACE ± 0.25	DRAFT WHERE APPLICABLE MUST REMAIN WITHIN DIMENSIONS		DRAWING SIZE	THIRD ANGLE PROJECTION	SERIES	MATERIAL NUMBER	CUSTOMER		
			0 PLACES ±			A3		172877	SEE TABLE	GENERAL MARKET		
								DOCUMENT NUMBER		DOC TYPE	DOC PART	SHEET NUMBER
								PK-172877-0001		PDD	000	1 OF 1