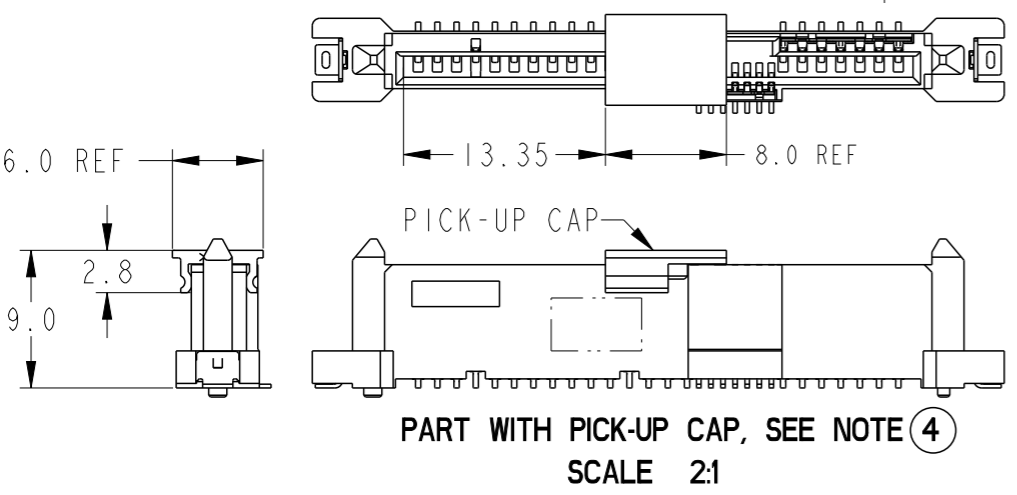
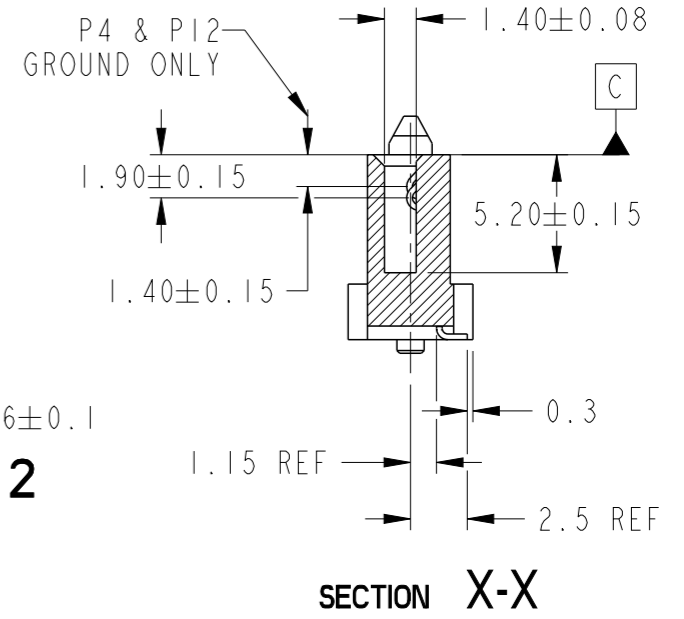
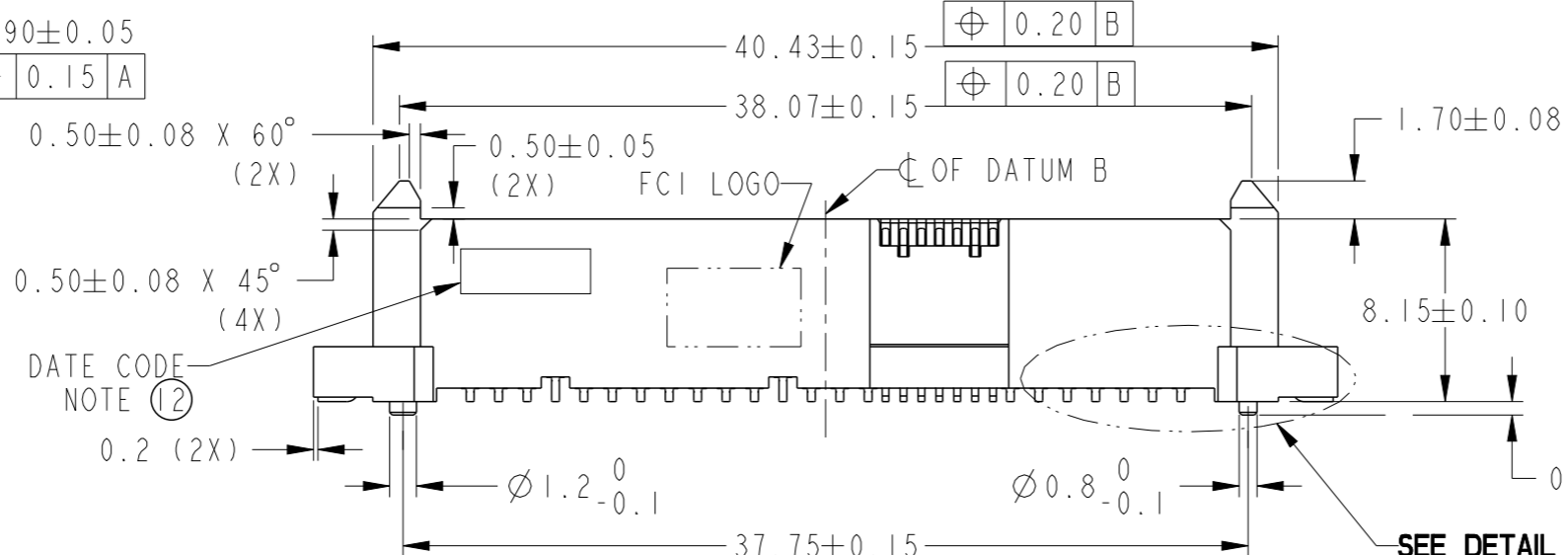
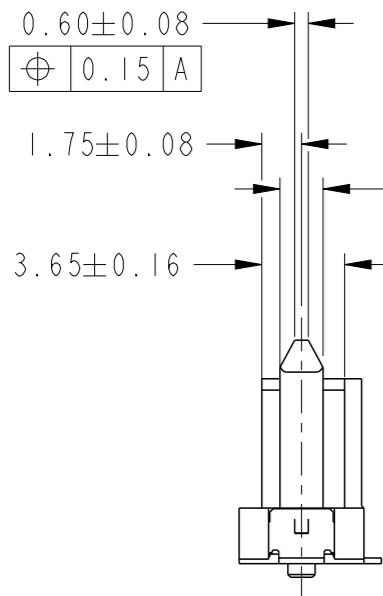
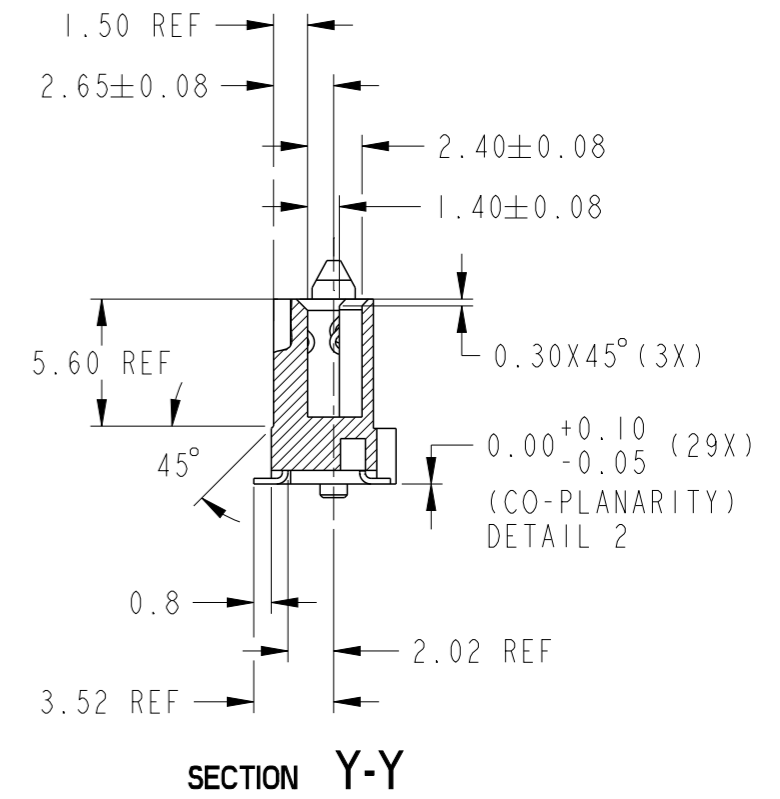
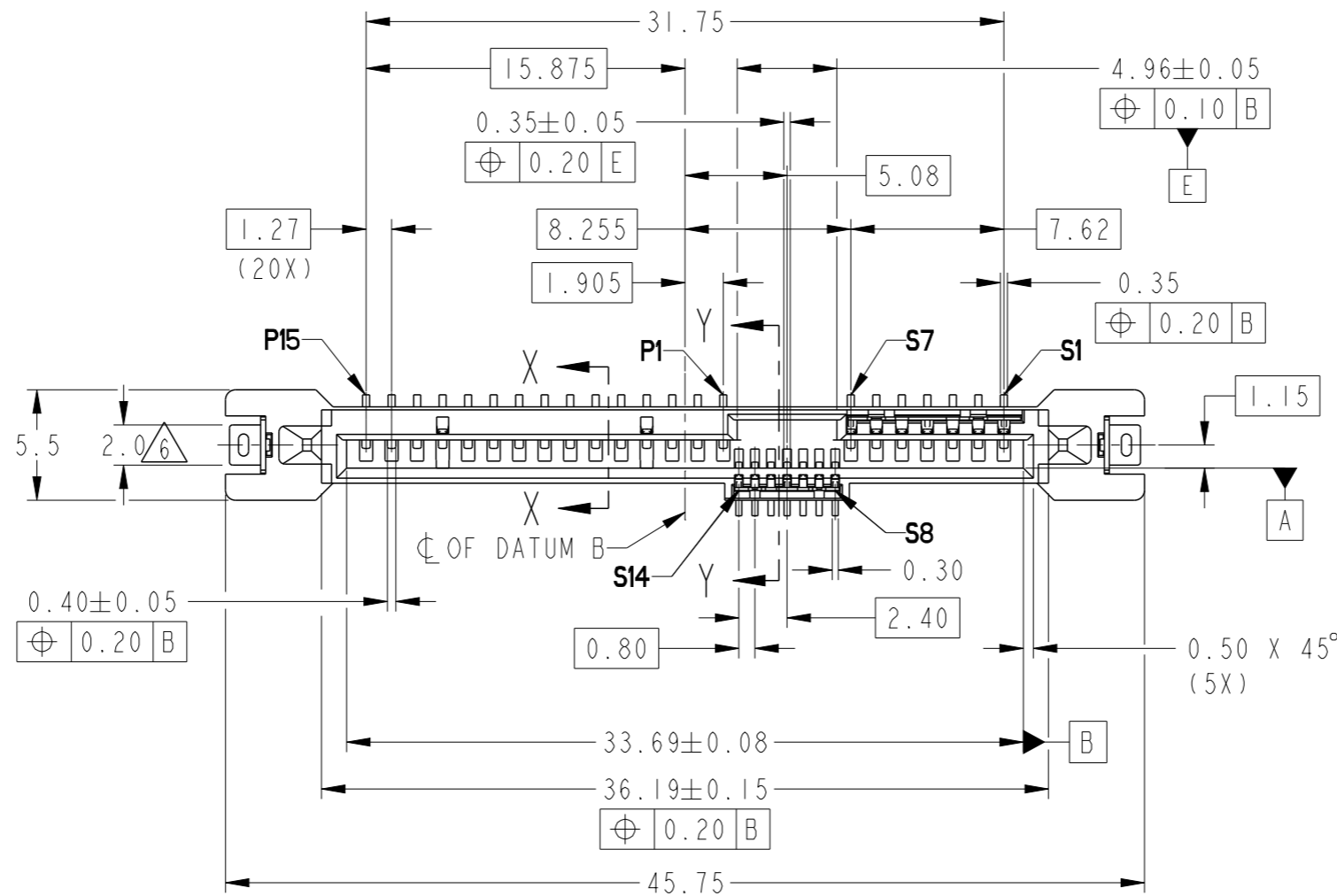


PRODUCT NUMBER
SEE TABLE



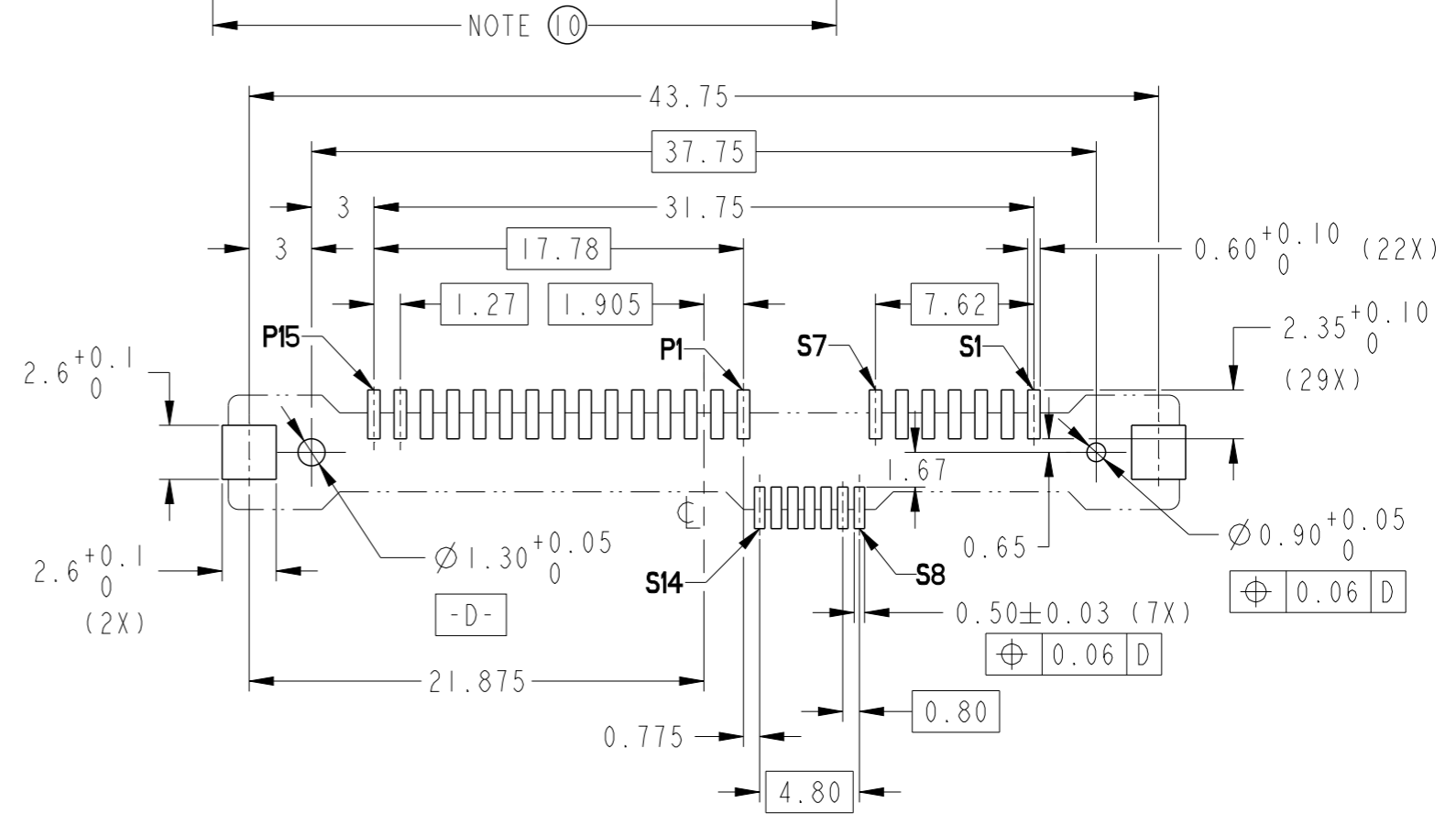
spec ref	-	dr	Roger Ng	2012/11/15	projection	mm	size	A3	scale	3:1
tolerance std	ISO 406 ISO 1101	eng	Noorhazlinda,	2018/05/28			ecn no	ELX-M-30284-1	rel level	Released
surface	linear	chr	-	apppr			Koon-Poh Tay	2018/06/07		product family
	angular	0°	±2°	Amphenol FCI		12G SAS RECEPTACLE VERTICAL SMT TYPE ASSY	dwg no	10120818	rev	D
ISO 1302		0.X	±0.3	cat. no.	-	Product - Customer Drw	sheet 1 of 3			

Amphenol FCI
© 2016 AFCI

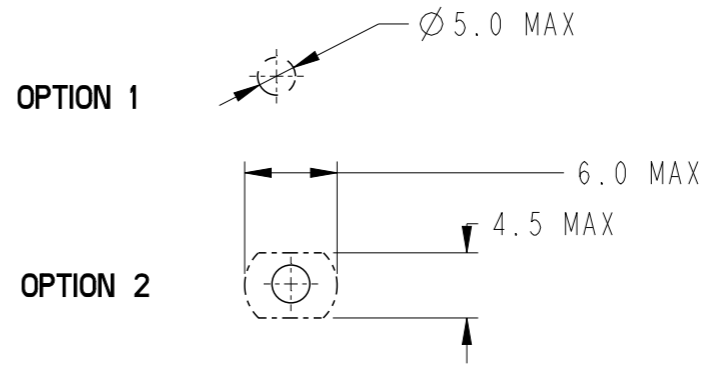
PRODUCT NUMBER	METAL CLIP	PLATING	PICK-UP CAP	PACKAGING	REMARKS	PRODUCT NUMBER	PLATING
10120818-001LF	2 PCS	NOTE ②	NO	TRAY	NOTE ⑧	10120818-401LF	NOTE ⑩
10120818-001CLF			YES		NOTE ④ & ⑧	10120818-401CLF	
10120818-001C-TRLF			YES	TAPE & REEL	NOTE ④ ⑥ & ⑧	10120818-401C-TRLF	

NOTES:

1. MATERIAL :
 1) HOUSING : HIGH TEMP THERMOPLASTIC, UL 94V-0
 COLOR : BLACK
 2) TERMINAL : COPPER ALLOY
 3) HOLD DOWN : COPPER ALLOY
- ②. FINISH :
 1) TERMINAL : 30µ" Au PLATING (CONTACT POINT) OVER 50µ" NICKEL
 2) SOLDER TAIL : 100µ" MIN Sn OVER 50µ" NICKEL
 3) HOLD DOWN : 100µ" MIN Sn OVER 50µ" NICKEL
3. PER SFF REV 1.1, EXCEPT 0.8mm PITCH BUMP AREA.
- ④. PART WITH PICK-UP CAP, P/N XXXXXXXX-XXXCLF.
5. THE STD PACKAGING IS IN TRAY UNLESS OTHERWISE SPECIFIED.
- ⑥. PART NUMBER WITH SUFFIX "-TR" MEANS FOR TAPE & REEL PACKAGING (E.G. P/N: XXXXXXXX-XXXC-TRLF).
7. THE HOUSING WILL WITHSTAND EXPOSURE TO 260°C PEAK TEMPERATURE FOR 10 SECONDS IN A CONVECTION, INFRA-RED OR VAPOR PHASE REFLOW OVEN.
- ⑧. THIS PRODUCT MEETS EUROPEAN UNION DIRECTIVES AND OTHER COUNTRY REGULATIONS AS DESCRIBED IN GS-47-0004.
9. PART NUMBERS ENDING IN "LF" MEANS FOR NOTE 8 LEAD FREE IDENTIFICATION
- ⑩. FINISH :
 1) TERMINAL : 15µ" GXT PLATING (CONTACT POINT) OVER 50µ" NICKEL
 2) SOLDER TAIL : 100µ" MIN Sn OVER 50µ" NICKEL
 3) HOLD DOWN : 100µ" MIN Sn OVER 50µ" NICKEL
- ⑪. FINISH :
 1) TERMINAL : 30µ" GXT PLATING (CONTACT POINT) OVER 50µ" NICKEL
 2) SOLDER TAIL : 100µ" MIN Sn OVER 50µ" NICKEL
 3) HOLD DOWN : 100µ" MIN Sn OVER 50µ" NICKEL
12. A \triangle SYMBOL WILL BE NEXT TO ANY DIMENSION, VIEW, OR NOTE WHICH HAS BEEN MODIFIED WITH THE CURRENT DRAWING REVISION.



RECOMMENDED PCB LAYOUT



RECOMMENDED SUCTION HEAD SIZE

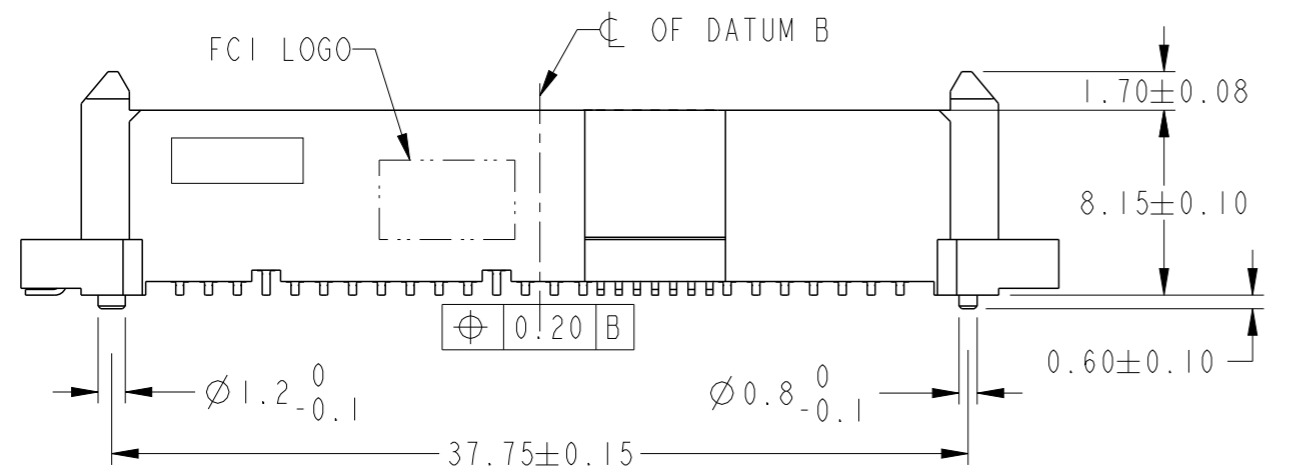
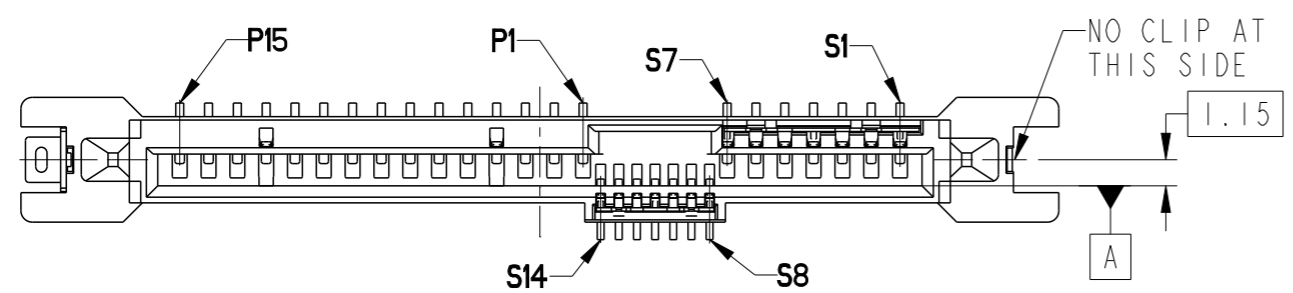
⑬. DATE CODE LOCATION. DATE CODE NO. YYWW (E.G. 14225)

spec ref	-	dr	Roger Ng	2012/11/15	projection	mm	size	A3	scale	3:1		
tolerance std	ISO 406 ISO 1101	eng	Noorhazlinda,	2018/05/28			ecn no	ELX-M-30284-1				
surface	linear	chr	-	apppr			Koon-Poh Tay	2018/06/07	product family	-	rel level	Released
	angular	0°	±2°	Amphenol FCI		12G SAS RECEPTACLE VERTICAL SMT TYPE ASSY		dwg no	10120818		rev	D
ISO 1302				cat. no.	-	Product - Customer Drw			sheet 2 of 3			

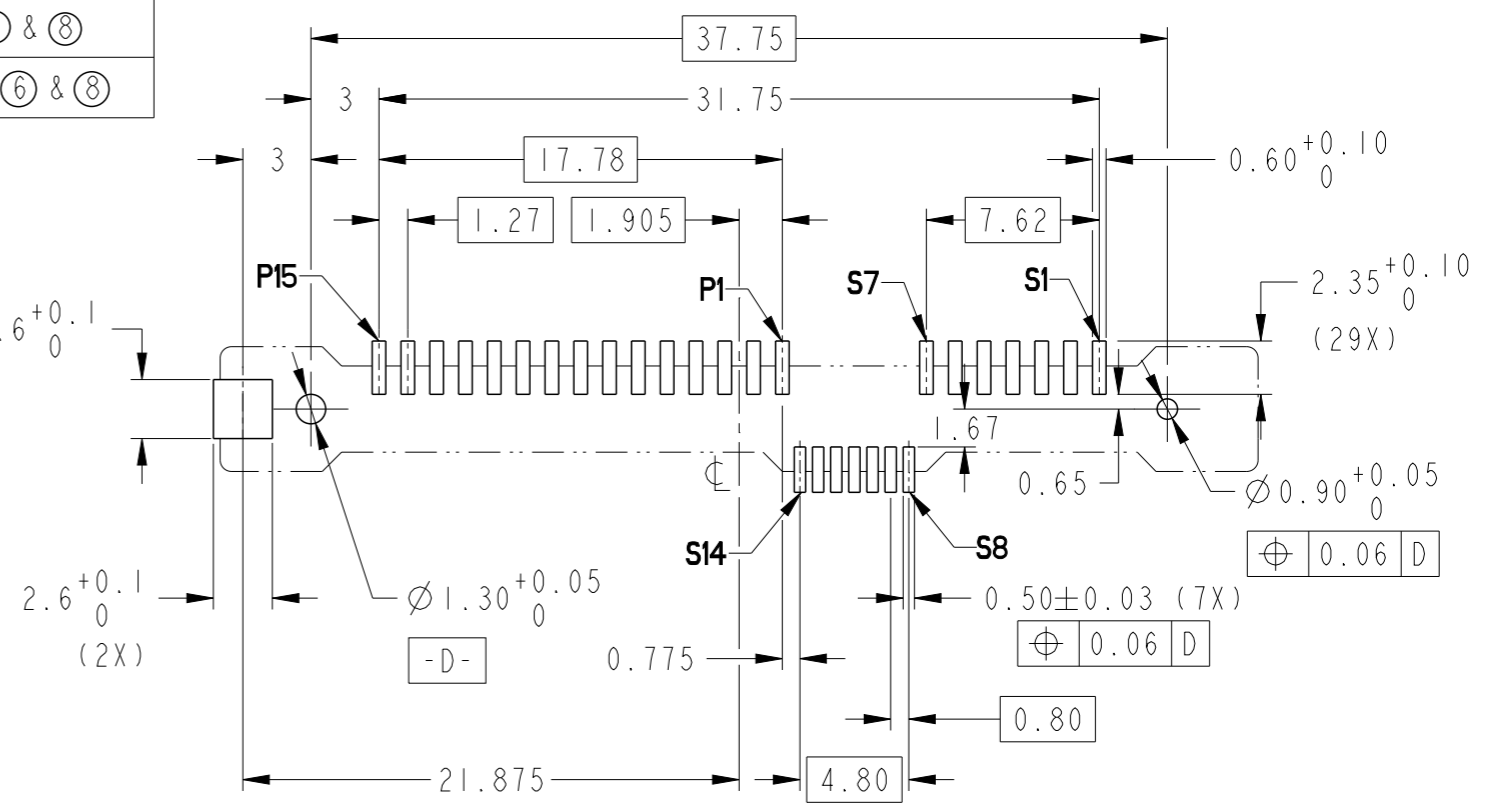
Amphenol FCI

© 2016 AFCI

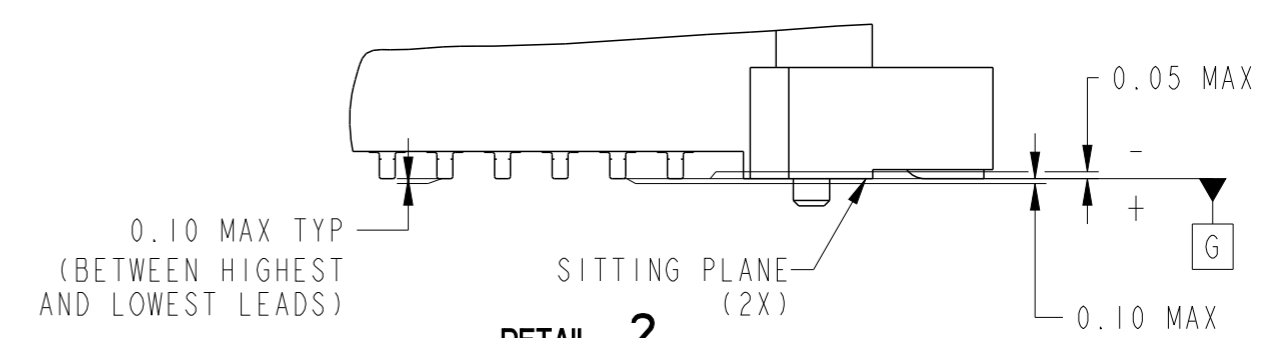
PRODUCT NUMBER	METAL CLIP	PLATING	PICK-UP CAP	PACKAGING	REMARKS
10120818-002LF	1 PCS	NOTE ②	NO	TRAY	NOTE ⑧
10120818-002CLF			YES		NOTE ④ & ⑧
10120818-002C-TRLF			YES		TAPE & REEL
10120818-402LF		NOTE ⑩	NO	TRAY	NOTE ⑧
10120818-402CLF			YES		NOTE ④ & ⑧
10120818-402C-TRLF			YES		TAPE & REEL
10120818-502LF		NOTE ⑪	NO	TRAY	NOTE ⑧
10120818-502CLF			YES		NOTE ④ & ⑧
10120818-502C-TRLF			YES		TAPE & REEL



ALL OTHER DIMENSIONS, REFER TO SHEET 1



RECOMMENDED PCB LAYOUT



DETAIL SCALE 2 6:1

spec ref	-	dr	Roger Ng	2012/11/15	projection	mm	size	A3	scale	3:1	
tolerance std	ISO 406 ISO 1101	eng	Noorhazlinda,	2018/05/28			ecn no	ELX-M-30284-1	rel level	Released	
TOLERANCES UNLESS OTHERWISE SPECIFIED		chr	-	-			product family	-			
surface	linear	0.X	±0.3		12G SAS RECEPTACLE		dwg no	10120818		rev	D
		0.XX	±0.20		VERTICAL SMT TYPE ASSY						
	angular	0°	±2°		cat. no.	-	Product - Customer Drw	sheet 3 of 3			