

42822-4 ✓ ACTIVE

FASTON | FASTON 250

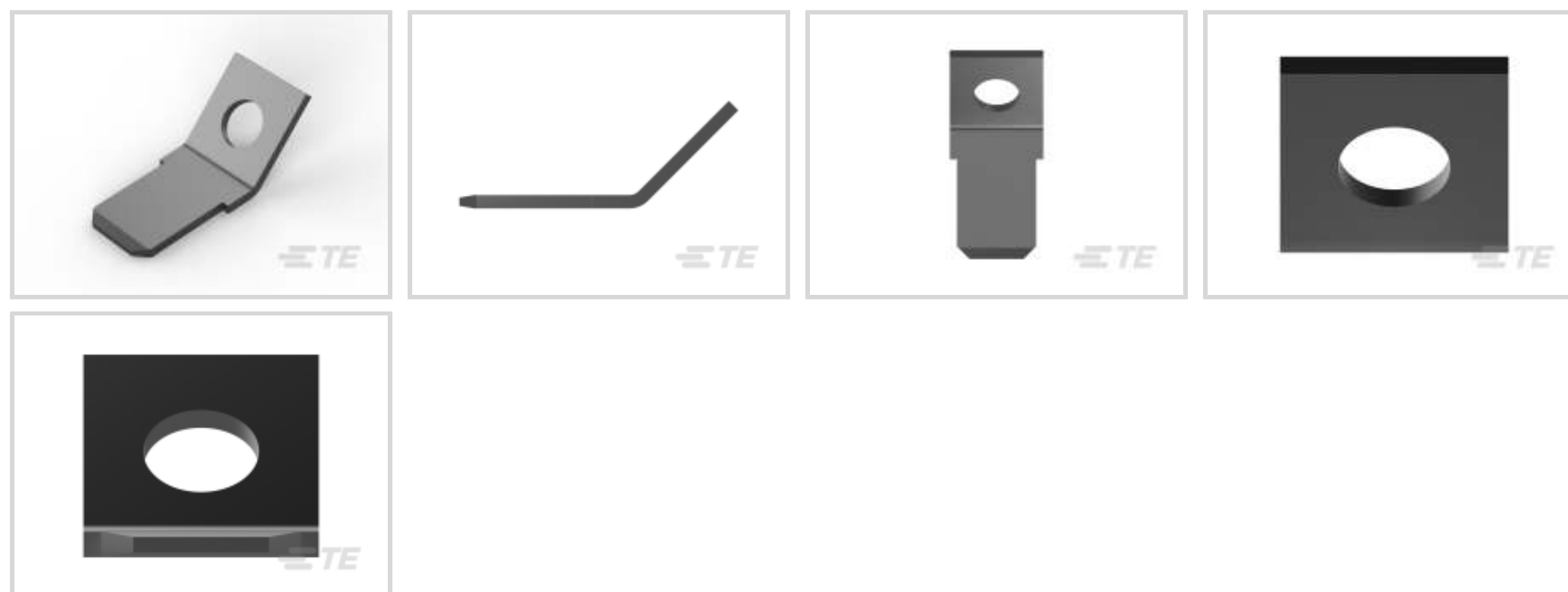
TE Internal #: 42822-4

PCB Terminals, Tab, Mating Tab Width .25 in [6.35 mm], PCB Hole Diameter 2.46 mm [.097 in], Through Hole - Screw, Tin Plating, Brass, Bag, FASTON 250

[View on TE.com >](#)



Terminals & Splices > PCB Terminals



PCB Terminal Type: **Tab**

Mating Tab Width: **6.35 mm [ .25 in ]**

Mating Tab Thickness: **.81 mm [ .032 in ]**

PCB Hole Diameter: **2.46 mm [ .097 in ]**

Termination Method to Printed Circuit Board: **Through Hole - Screw**

## Features

### Product Type Features

Terminal Features	Stud Hole
Insertion Force	Low

### Contact Features

PCB Contact Termination Area Plating Material Thickness	1.01 $\mu\text{m}$ [40 $\mu\text{in}$ ]
Contact Mating Area Plating Material Thickness	1.01 $\mu\text{m}$ [40 $\mu\text{in}$ ]
PCB Terminal Type	Tab
Mating Tab Width	6.35 mm[.25 in]
Mating Tab Thickness	.81 mm[.032 in]
Terminal Plating Material	Tin
Contact Underplating Material	Brass
Terminal Size	6.35
Terminal Orientation	45 Bend

### Termination Features

Termination Method to Printed Circuit Board	Through Hole - Screw
---	----------------------



Product Terminates To

Printed Circuit Board

### Dimensions

Terminal Material Thickness	.78 mm[.031 in]
Stud Diameter	3.68 mm[.145 in]
PCB Hole Diameter	2.46 mm[.097 in]

### Usage Conditions

Insulation Option	Uninsulated
Operating Temperature Range	-30 – 110 °C[-22 – 230 °F]

### Packaging Features

Packaging Quantity	1000
Packaging Method	Bag

### Product Compliance

[For compliance documentation, visit the product page on TE.com>](#)

EU RoHS Directive 2011/65/EU	Compliant
EU ELV Directive 2000/53/EC	Compliant
China RoHS 2 Directive MIIT Order No 32, 2016	No Restricted Materials Above Threshold
EU REACH Regulation (EC) No. 1907/2006	Current ECHA Candidate List: JUNE 2023 (235) Candidate List Declared Against: JAN 2023 (233) Does not contain REACH SVHC
Halogen Content	Low Halogen - Br, Cl, F, I < 900 ppm per homogenous material. Also BFR/CFR/PVC Free
Solder Process Capability	Not applicable for solder process capability

#### Product Compliance Disclaimer

This information is provided based on reasonable inquiry of our suppliers and represents our current actual knowledge based on the information they provided. This information is subject to change. The part numbers that TE has identified as EU RoHS compliant have a maximum concentration of 0.1% by weight in homogenous materials for lead, hexavalent chromium, mercury, PBB, PBDE, DBP, BBP, DEHP, DIBP, and 0.01% for cadmium, or qualify for an exemption to these limits as defined in the Annexes of Directive 2011/65/EU (RoHS2). Finished electrical and electronic equipment products will be CE marked as required by Directive 2011/65/EU. Components may not be CE marked. Additionally, the part numbers that TE has identified as EU ELV compliant have a maximum concentration of 0.1% by weight in homogenous materials for lead, hexavalent chromium, and mercury, and 0.01% for cadmium, or qualify for an exemption to these limits as defined in the Annexes of Directive 2000/53/EC (ELV). Regarding the REACH Regulation, the information TE provides on SVHC in articles for this part number is based on the latest European Chemicals Agency (ECHA) 'Guidance on requirements for substances in articles' posted at this URL: <https://echa.europa.eu/guidance-documents/guidance-on-reach>

## Compatible Parts



TE Part # 140814-2  
250 FASTON,TAB,TPBR



TE Part # 60465-2  
250 FASTON TAB TPBR



TE Part # 42214-2  
250 FASTON TAB TPBR



TE Part # 42822-2  
250 FASTON TAB TPBR



TE Part # 60080-2  
250 FASTON TAB TPBR



TE Part # 1217558-2  
250 FASTON,TAB,TPBR



TE Part # 1217050-1  
187 FASTON,TAB,TPBR



TE Part # 62628-2  
110 FASTON TAB BR



TE Part # 42214-1  
250 FASTON TAB BR



TE Part # 140598  
250 FASTON,TAB,TPBR



TE Part # 140759  
250 FASTON,TAB,TPBR



TE Part # 62628-1  
100 FASTON TAB TPST



TE Part # 140734-2  
250 FASTON,TAB,TPBR



TE Part # 62162-1  
187 FASTON TAB TPBR



TE Part # 140660  
250 FASTON,TAB,TPBR



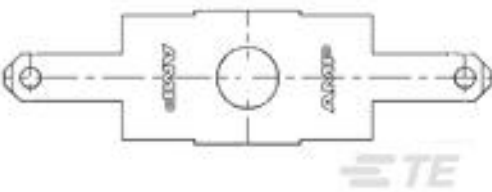
TE Part # 140734-1  
250 FASTON,TAB,BR



TE Part # 141036-1  
250 FASTON,TAB,BR



TE Part # 1742375-1  
TAB,FASON,.375 SERIES



TE Part # 62629-2  
110 FASTON TAB BR

Also in the Series | **FASTON 250**



Compression Connectors(4)



Crimp Terminal Housings(142)



Insertion & Extraction Tools(6)



Magnet Wire Terminals(1)



PCB Terminals(135)



Quick Disconnects(445)



Splices(4)

### Customers Also Bought



TE Part #6609012-5  
10EH1=F7647 S0



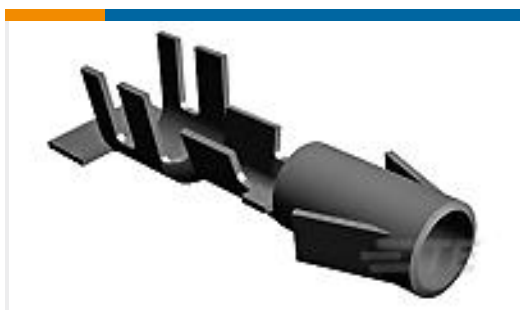
TE Part #3-643816-7  
07P MTA100 CONN ASSY POL RIB



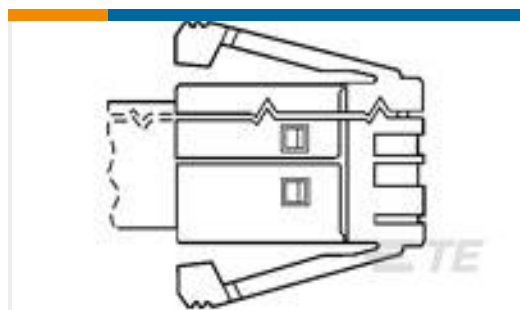
TE Part #52934  
TERMINAL,PIDG SPR SPD 16-14 5



TE Part #2-32961-1  
TERMINAL,PG R 16-14 1/4



TE Part #927843-2  
.140 SOCKET



TE Part #1-1761184-3  
8 SDL FLAT PLUG ASSY



TE Part #6609020-5  
3EB1=F7102 S0



TE Part #63971-1  
250 FASTON TAB TPBR



TE Part #690472-6  
STRIPPER

### Documents

## Product Drawings

### 250 FASTON TAB TPBR

English

---

## CAD Files

### Customer View Model

[ENG\\_CVM\\_CVM\\_42822-4\\_AF.2d\\_dxf.zip](#)

English

### 3D PDF

3D

### Customer View Model

[ENG\\_CVM\\_CVM\\_42822-4\\_AF.3d\\_igs.zip](#)

English

### Customer View Model

[ENG\\_CVM\\_CVM\\_42822-4\\_AF.3d\\_stp.zip](#)

English

By downloading the CAD file I accept and agree to the [Terms and Conditions](#) of use.

---

## Datasheets & Catalog Pages

### FASTON Tabs

English

---

## Product Specifications

### Application Specification

English

---

## Product Environmental Compliance

[MD\\_42822-4\\_0809201814\\_dmtec](#)

English

[MD\\_42822-4\\_0809201814\\_dmtec](#)

English

---

## Agency Approvals

### CSA Certificate

English

### CSA Certificate

English