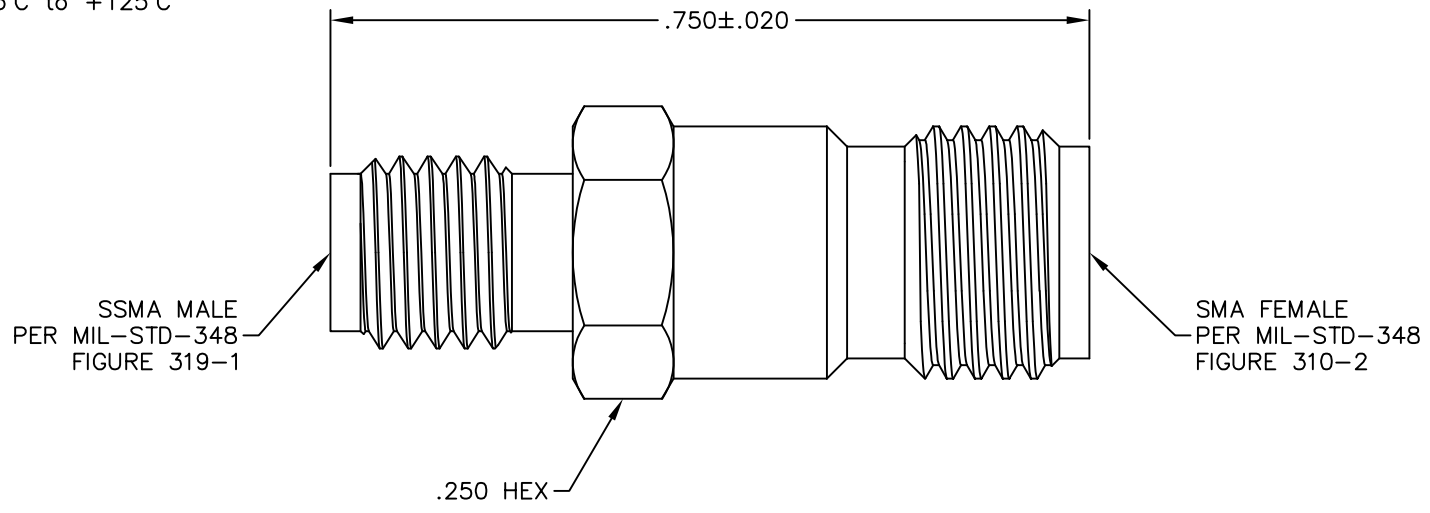



NOTES:

1. MATERIALS & FINISH:
 - 1.1 HOUSING: PASSIVATED STAINLESS STEEL
 - 1.2 DIELECTRIC: PTFE (TEFLON)
 - 1.3 CENTER CONTACT: GOLD PLATED BERYLLIUM COPPER
2. SPECIFICATIONS:
 - 2.1 FREQUENCY RANGE: DC to 25 GHz
 - 2.2 VSWR (MAX):
 - 2.2.1 DC to 12.4 GHz: $1.06 + .009 * F(\text{GHz})$
 - 2.2.2 12.4 to 25 GHz: $1.05 + .01 * F(\text{GHz})$
 - 2.3 IMPEDANCE: 50 OHMS NOMINAL
 - 2.4 OPERATING TEMPERATURE RANGE: -65°C to +125°C



REV.	DESCRIPTION	DATE
1	RELEASED	2/25/91
2	ECO 57795	12/8/20

NOTICE: The information in this drawing is PROPRIETARY and must not be used without the permission of Cinch Connectivity Solutions. It may contain data whose export is restricted. Verify status prior to exporting.		CAGE CODE 34078		MIDWEST MICROWAVE	
UNLESS OTHERWISE NOTED DIMENSIONS ARE IN INCHES AND TOLERANCES ARE: 3 PLACE DECIMALS ±.005 2 PLACE DECIMALS ±.02 FRACTIONS ±1/64 PARALLELITY: T.I.R. FLATNESS: T.I.R. CONCENTRICITY: T.I.R. ANGLES AND PERPENDICULARITY: ±1'				TITLE ADAPTER SSMA FEMALE TO SMA FEMALE	
DRAWN/DATE R.FAWSON 2/20/91	ENG./DATE R.FAWSON 2/22/91	DRAWING NUMBER ADT-2698-SF-SSF-02-01		REV. 2	
CHECKED/DATE A.BEATTY 2/22/91	APPROVED/DATE T.GORDON 2/22/91	SCALE: 4:1		SHEET 1 of 1	