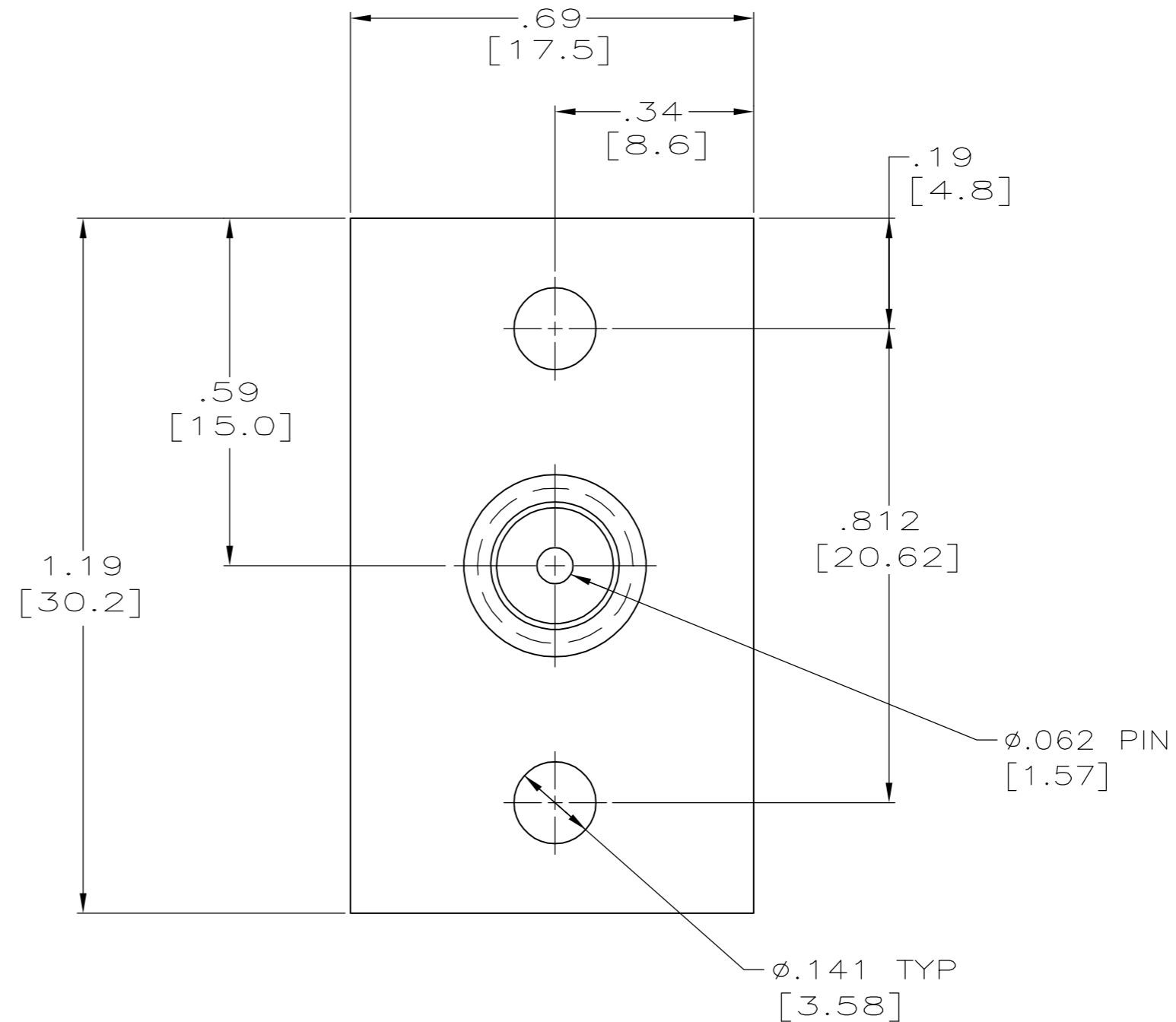
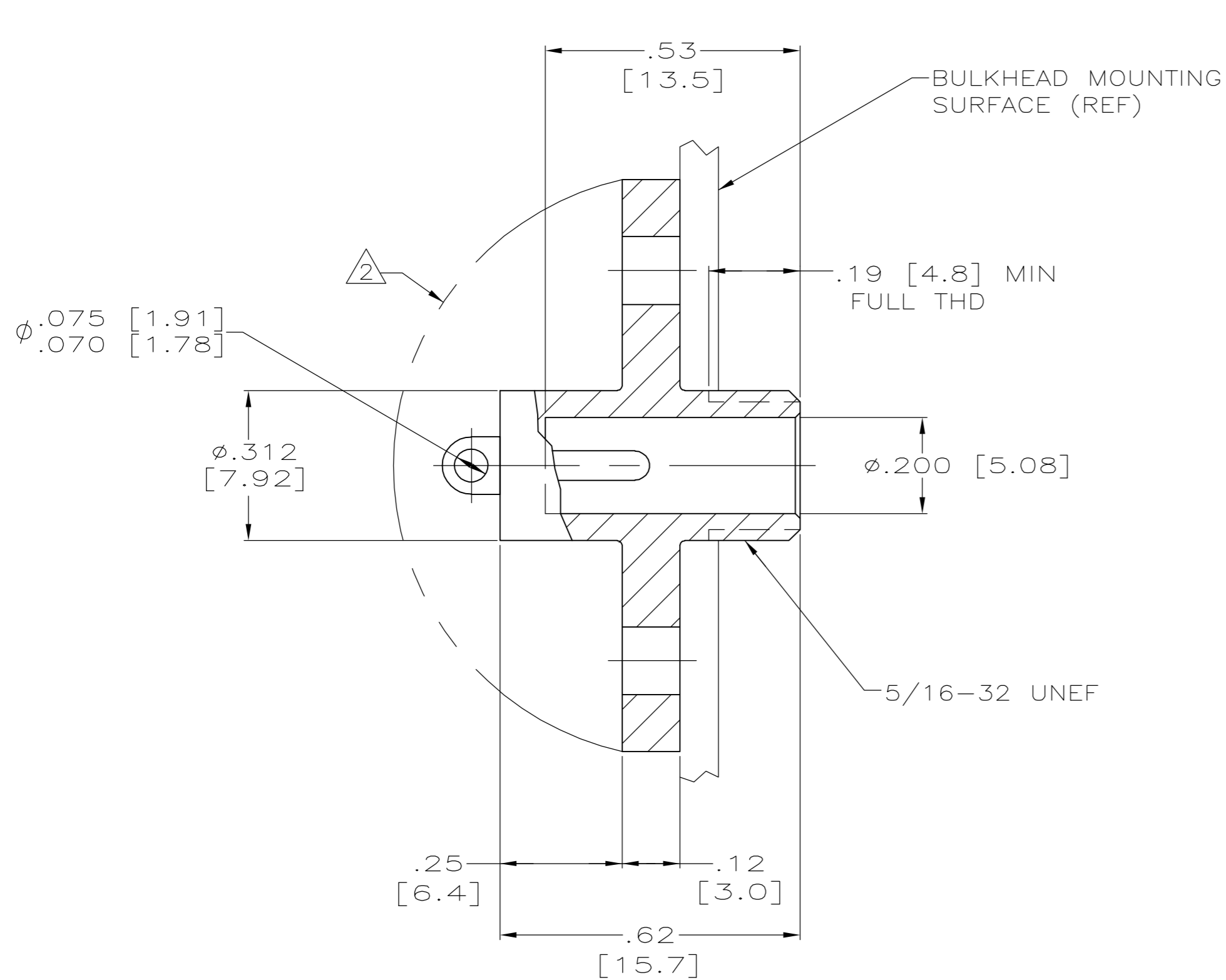


THIS DRAWING IS UNPUBLISHED. RELEASED FOR PUBLICATION - N/A .
 © COPYRIGHT N/A BY TYCO ELECTRONICS CORPORATION. ALL RIGHTS RESERVED.

LOC		DIST		REVISIONS			
P	LTR	DESCRIPTION		DATE	DWN	APVD	
J		REV PER 0H14-0191-05		05-05	AA	DE	

- RECEPTACLE TO MATE WITH AMP LGH-1/2 LEAD ASSY, AVAILABLE SEPARATELY.
- IF BULKHEAD AND MOUNTING HARDWARE ARE METALLIC AND AT GROUND POTENTIAL, PROVISIONS MUST BE MADE TO PROTECT THE RECEPTACLE'S BACK-END AGAINST ARC-OVER AND BREAKDOWN.



TIN	5-830395-1
GOLD	830395-2
TIN-LEAD	830395-1
TERMINAL PLATING	PART NUMBER

THIS DRAWING IS A CONTROLLED DOCUMENT.		DWN	29-AUG-91	C.C.THOMAS		Tyco Electronics Corporation	
DIMENSIONS: INCHES		CHK	10-SEP-91	S.GLATFELTER		Harrisburg, Pa 17105-3608	
TOLERANCES UNLESS OTHERWISE SPECIFIED:		APVD	10-SEP-91	S.GLATFELTER		NAME	
0 PLC ± -		PRODUCT SPEC		S.GLATFELTER		FLANGED RECEPTACLE ASSY LGH-1/2	
1 PLC ± -		APPLICATION SPEC		S.GLATFELTER		SIZE	
2 PLC ± .02[0.5]		-		S.GLATFELTER		CAGE CODE	
3 PLC ± .010[0.25]		-		S.GLATFELTER		DRAWING NO	
4 PLC ± -		-		S.GLATFELTER		RESTRICTED TO	
ANGLES ± -		-		S.GLATFELTER		-	
FINISH		WEIGHT		5 GRAMS MAX		SCALE	
EPOXY MLDG CMPD		CUSTOMER DRAWING		A2		4:1	
COLOR: BLACK		-		00779		SHEET	
-		-		C=830395		1 OF 1	
-		-		-		REV	
-		-		-		J	