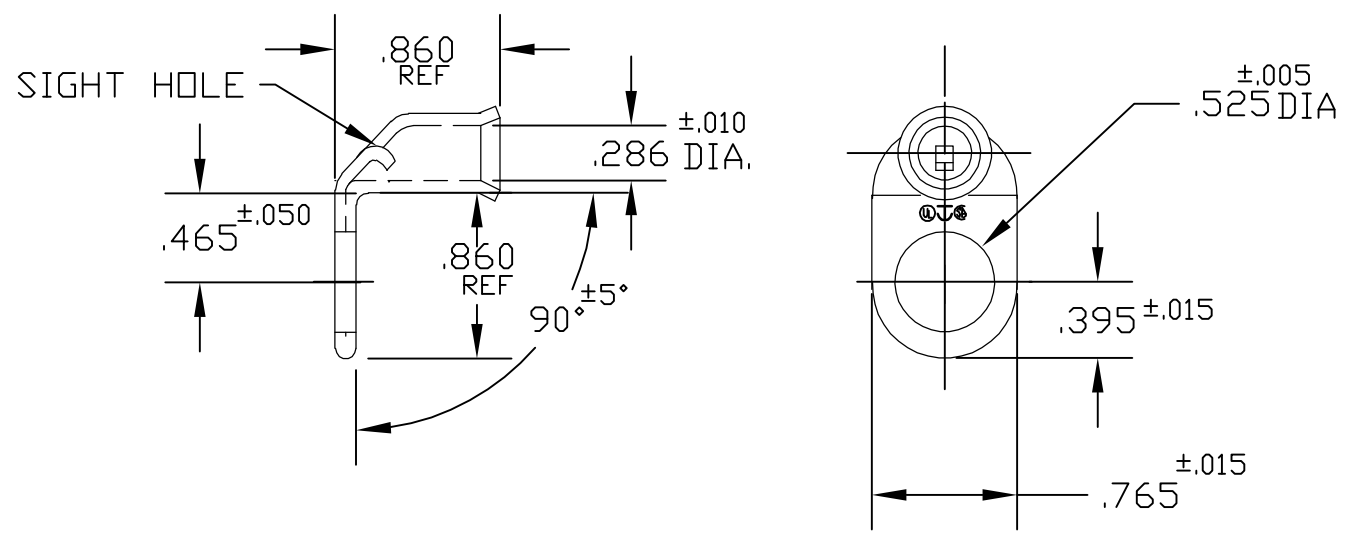


THIS DRAWING IS UNPUBLISHED. RELEASED FOR PUBLICATION
 © COPYRIGHT - BY TYCO ELECTRONICS CORPORATION. ALL RIGHTS RESERVED.

LOC	DIST	REVISIONS					
		P	LTR	DESCRIPTION	DATE	DWN	APVD
G	50		B1	REVISED PER ECR-06-010006	02MAY06	HMR	JR



ACTIVE	4503-11-90	STANDARD	TIN PLATE	1526287-2
ACTIVE	4503-10-90	STANDARD	PLAIN	1526287-1
STATUS	AET P/N	PACKAGING	FINISH	PART NUMBER

THIS DRAWING IS A CONTROLLED DOCUMENT.		DWN D.A.A. 10/25/00	Tyco Electronics Corporation Harrisburg, PA 17105-3608		
DIMENSIONS: INCHES		CHK H.D.F. 10/25/00			
		APVD H.D.F. 10/25/00	4 STANDARD TERMINAL W/SIGHT HOLE & 90° BEND		
TOLERANCES UNLESS OTHERWISE SPECIFIED:		PRODUCT SPEC	SIZE		RESTRICTED TO
0 PLC ± -		APPLICATION SPEC	CAGE CODE		-
1 PLC ± -		WEIGHT	DRAWING NO		
2 PLC ± -		COPPER ASTM B-152	A3 00779		-
3 PLC ± -			G-1526287		
4 PLC ± -		CUSTOMER DRAWING		SCALE	1 OF 1
ANGLES ± -		SCALE 1:1		REV	
FINISH -		SHEET 1 OF 1		B1	