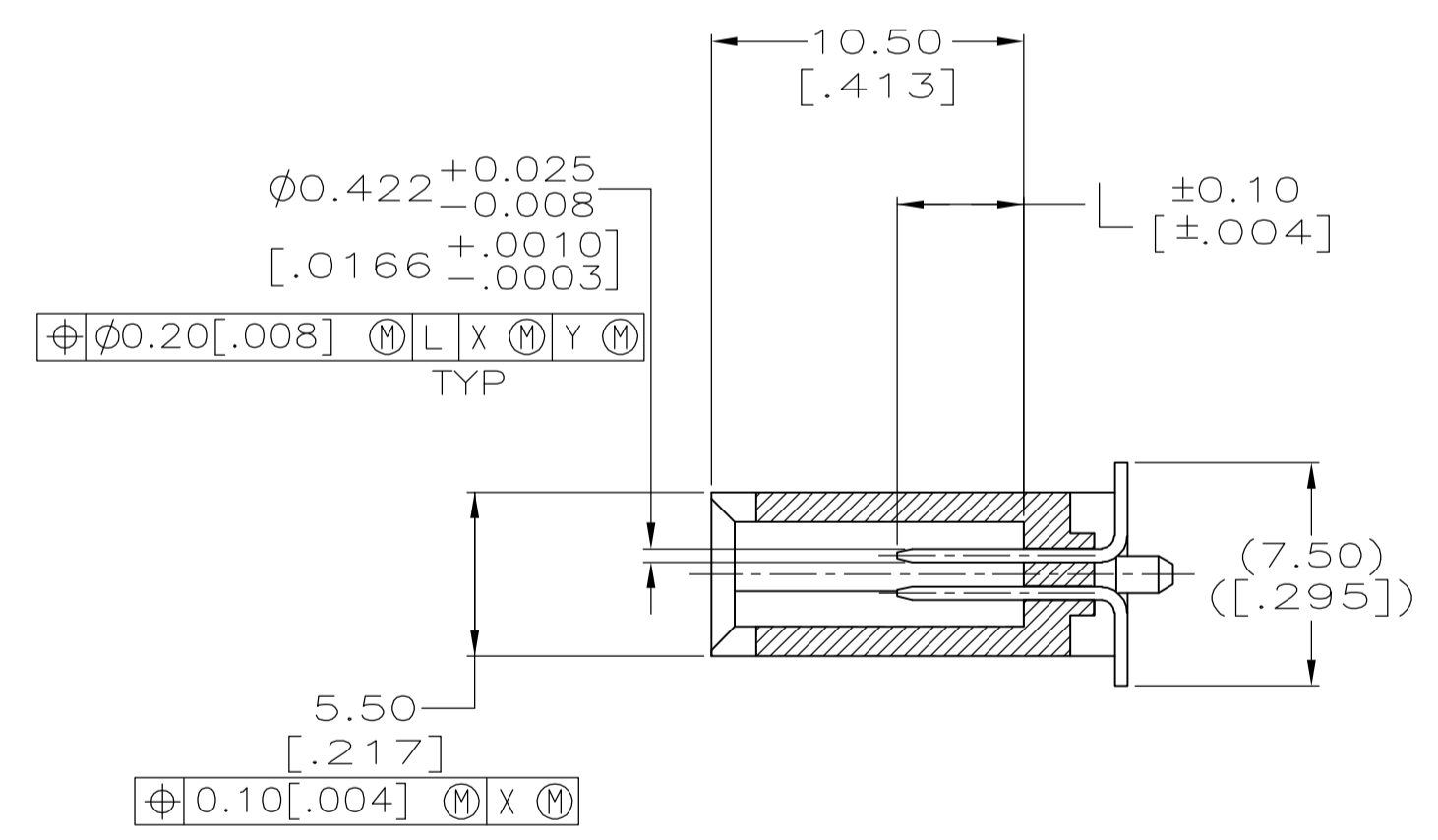


RECOMMENDED BOARD LAYOUT



SECTION C-C

- 1 CONTACTS: 0.00076[.000030] MINIMUM GOLD IN CONTACT AREA, 0.00381[.000150] MIN TIN ON SOLDER TAILS, ALL OVER 0.00127[.000050] MINIMUM NICKEL
- 2 DATUMS AND BASIC DIMENSIONS ESTABLISHED BY CUSTOMER
- 3. PRODUCT PACKAGED IN TUBES.
- 4 MATERIAL:
 HOUSING: LCP, COLOR BLACK
 CONTACTS: BRASS

**COPYRIGHT 2005
 TYCO ELECTRONICS CORP
 ALL RIGHTS RESERVED**

AS SHOWN	1,17,34 35,51,68	ALL OTHER PINS	36,67	5146733-1
DESCRIPTION	5.0[.197]	4.25[.167]	3.5[.138]	PART NUMBER
" L " PIN LENGTH AND LOCATION				

THIS DRAWING IS A CONTROLLED DOCUMENT.		DIN A FERNANDEZ-DUCKS 03-29-05		Tyco Electronics Corporation	
DIMENSIONS: mm[inches]		CHK D.L. GORENC 03-29-05		Harrisburg, PA 17105-3608	
TOLERANCES UNLESS OTHERWISE SPECIFIED:		APVD W. WALMSLEY 03-29-05		NAME	
0 PLC ± -		PRODUCT SPEC		PIN HEADER ASSEMBLY, VERTICAL, 68 POSITION, SURFACE MOUNT, AMP PC CARD	
1 PLC ± -		APPLICATION SPEC		SIZE	
2 PLC ± 0.13[.005]		WEIGHT		CAGE CODE	
3 PLC ± -		DRAWING NO		DRAWING NO	
4 PLC ± -		A1 00779		5146733	
ANGLES ± -		CUSTOMER DRAWING		SCALE 4:1	
FINISH		SHEET 1 OF 1		REV 0	